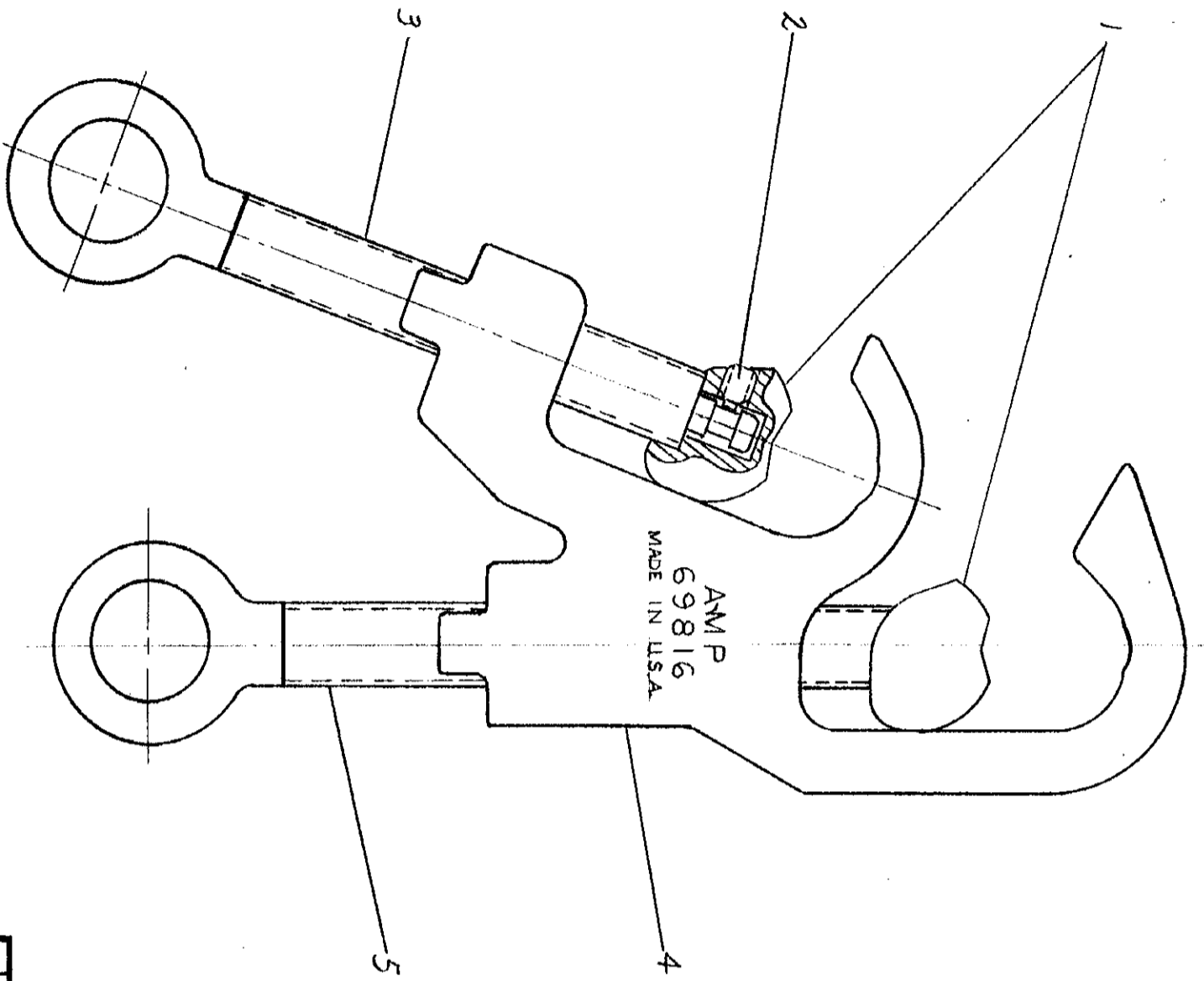


5

DIMENSIONS IN INCHES. DO NOT SCALE PRINT



PRINT DIST  
3

AMP 253 REV 7/69 8

7

6

5

4

3

2

1

LTR	REVISION RECORD	DR	CHK	DATE
A	REVISED	BS		7/19

NUMBER  
69816

REQUIRED PER ASSEMBLY	DESCRIPTION

DR	5-23-69
DR	5-22-67
DR	6-10-67

WIRE - RANGE - INSULATION	TYPE
TOLERANCE EXCEPT AS NOTED	SCALE
± .015	± 1° 0'

CLASS	TYPE	LOC	NO	REV
		M	B	A
AMP 69816				
AMP INCORPORATED HARRISBURG, PENNA.				
PIGGY-BACK CLAMP ASSEMBLY				

DWG SIZE	NUMBER	NAME	REMARKS	ITEM NO
	306596-1	EYE BOLT		5
	306593	CLAMP HOUSING MACHINED		4
	306596-2	EYE BOLT		3
	24-21059-0	SET SCREW 10-32 UNF-34 X.188		2
	306995	INDENTER - MACHINED		1

CUSTOMER COPY  
REFERENCE ONLY



©1967 BY AMP INCORPORATED. ALL RIGHTS RESERVED.  
AMP PRODUCTS COVERED BY PATENTS AND/OR PATENTS PENDING.