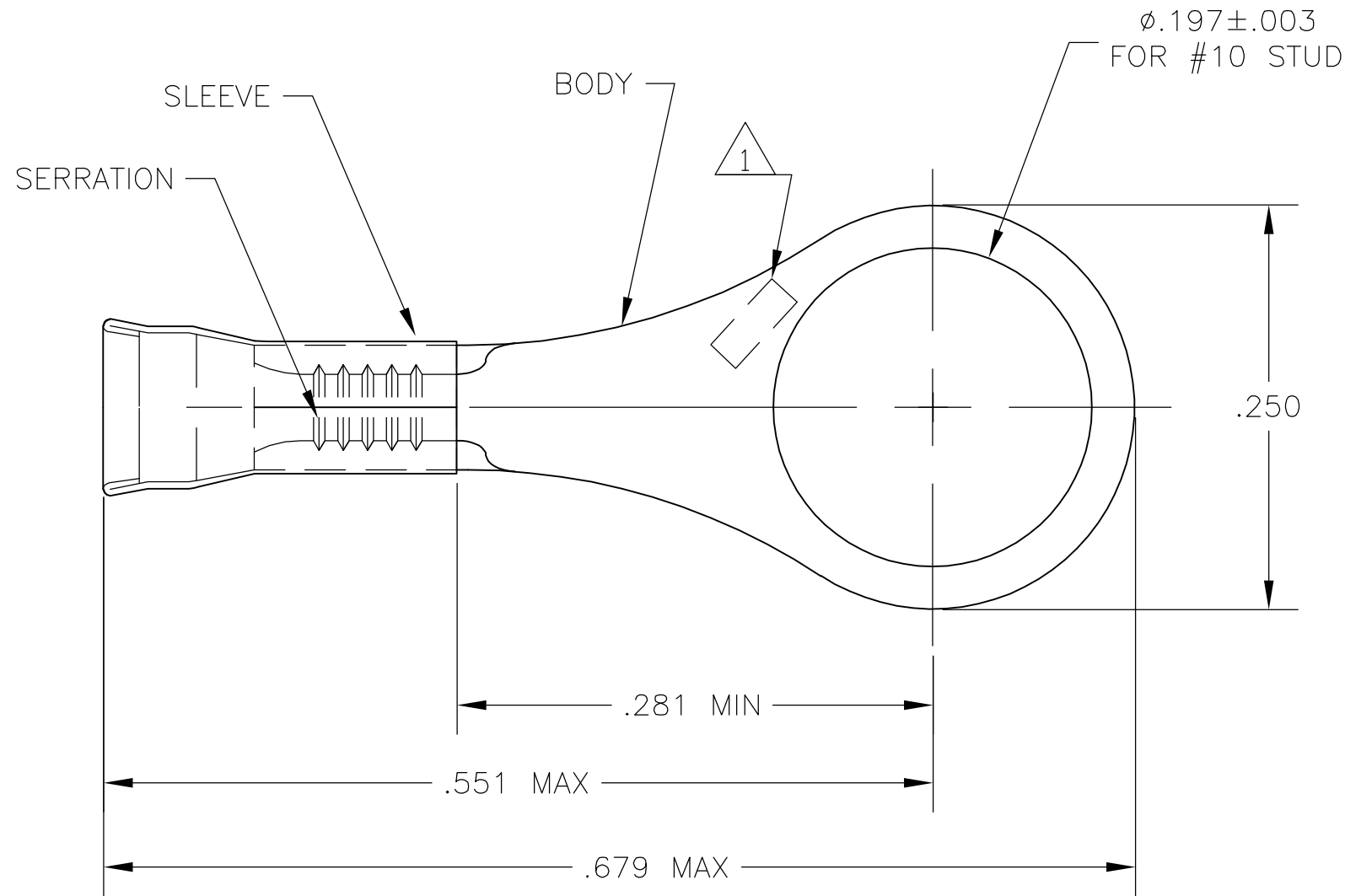


THIS DRAWING IS UNPUBLISHED. RELEASED FOR PUBLICATION
 © COPYRIGHT - BY TYCO ELECTRONICS CORPORATION. ALL RIGHTS RESERVED.

LOC	DIST	REVISIONS					
		P	LTR	DESCRIPTION	DATE	DWN	APVD
G	14		1	PROPOSED	-	-	-



- 1 STAMP AMP LOCATE APPROX AS SHOWN
- 2 WIRE INSUL DIA, 1.27-2.08 [.050-.082]
- 3 TONGUE MATL THK, 0.46 ± 0.05 [.018±.002]
- 4 MATERIAL: BODY & SLEEVE - COPPER PER ASTM B152
- 5 FINISH BODY & SLEEVE - NICKEL PLATE PER QQ-N-290
- 6 PRELIMINARY - NOT FOR PRODUCTION

6 696981-1
PART NO

THIS DRAWING IS A CONTROLLED DOCUMENT.		DWN jr_ruth	23JUN06	tyco Electronics	Tyco Electronics Corporation Harrisburg, PA 17105-3608				
DIMENSIONS: INCHES		CHK M SPICER	23JUN06		NAME TERMINAL, RING TONGUE, STRATOTHERM, DIAMOND GRIP, 26-22 AWG				
TOLERANCES UNLESS OTHERWISE SPECIFIED:		APVD M SPICER	23JUN06	PRODUCT SPEC					
0 PLC ± - 1 PLC ± - 2 PLC ± - 3 PLC ± .008 4 PLC ± - ANGLES ± 5°		APPLICATION SPEC		SIZE		CAGE CODE	DRAWING NO	RESTRICTED TO	
MATERIAL		WEIGHT		A3		00779	C-696981	-	
- 4		- 5		CUSTOMER DRAWING		SCALE	10:1	SHEET 1 OF 1	REV 1