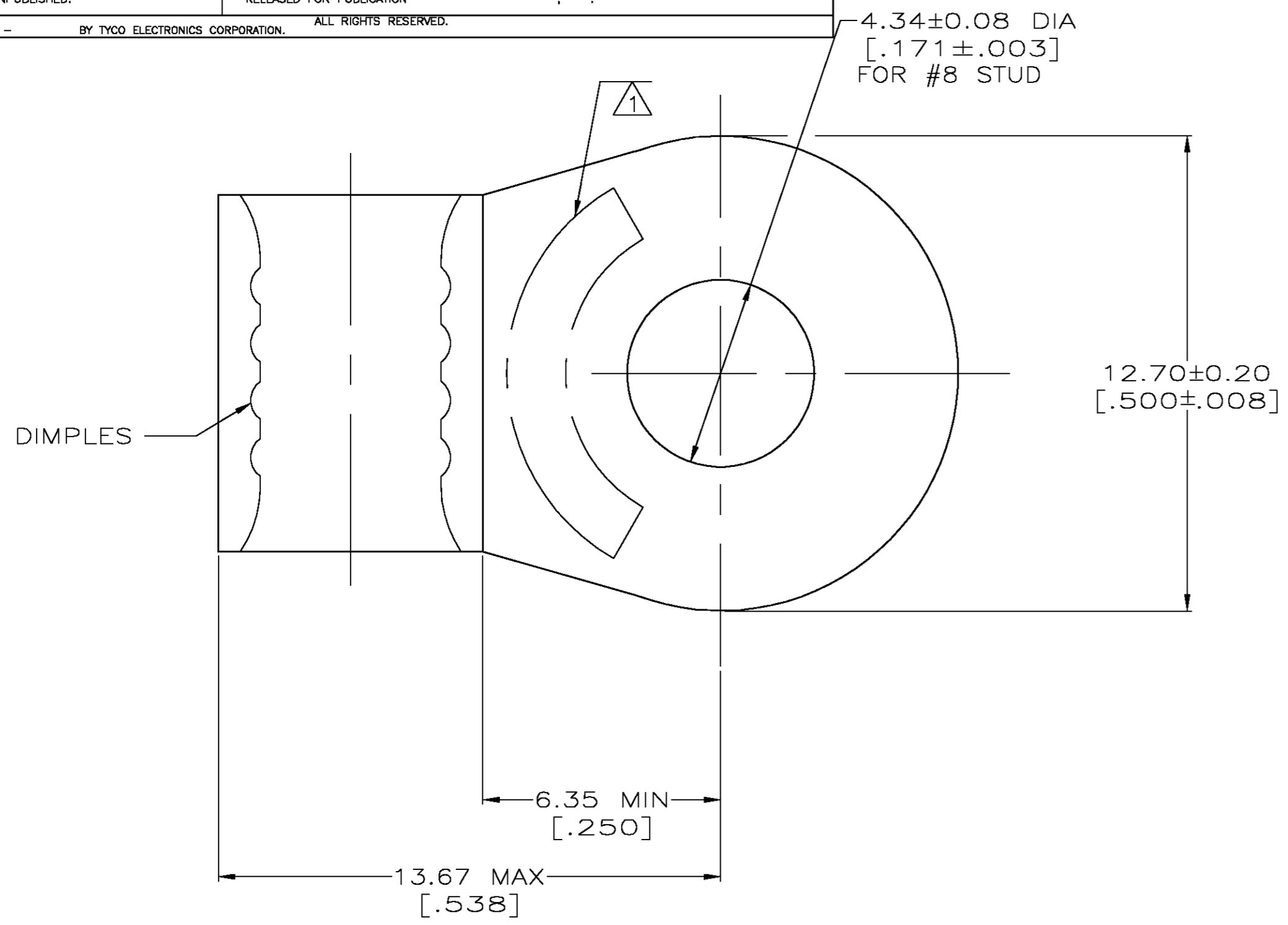


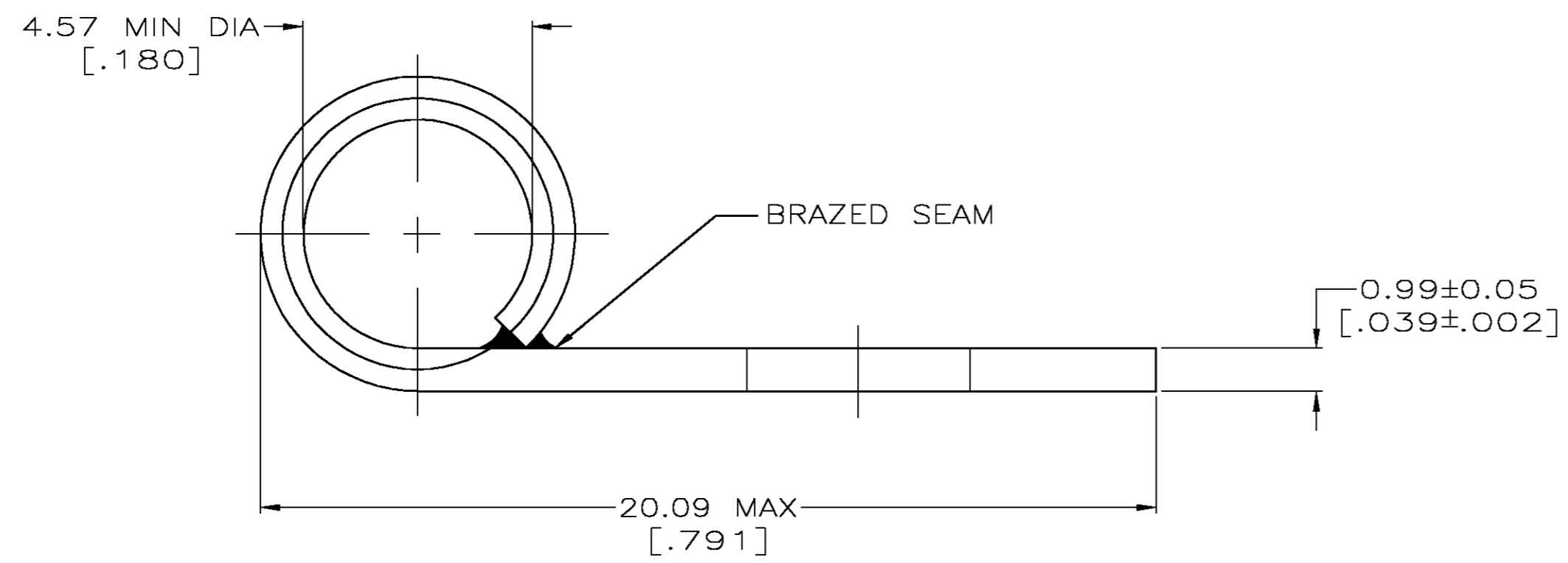
THIS DRAWING IS UNPUBLISHED. RELEASED FOR PUBLICATION
 © COPYRIGHT BY TYCO ELECTRONICS CORPORATION. ALL RIGHTS RESERVED.

LOC	DIST	REVISIONS			DAP		
P	LTR	DESCRIPTION	DATE	DWN	APVD		
G	14	A	REL PER OG3A-0423-04	08JUN04	JR	MS	



AMP WIRE RANGE	Listed FILE E13288	LR7189 Certified
8 AWG SOLID OR STRANDED	NOT LISTED	NOT CERTIFIED

- △1 STAMP AMP 8W* APPROX AS SHOWN
- △2 COPPER PER ASTM B-152, ANNEALED
- △3 NICKEL PLATE 0.00762 [.000300] MIN THK PER QQ-N-290
- △4 PREPRODUCTION - FASR REQUIRED



△4 696722-1
PART NUMBER

AMP INCORPORATED CUSTOMER SERVICE SYSTEMS		MAX RECOMMENDED OPERATING TEMPERATURE: 34.3° C
FOR ADDITIONAL PRODUCT INFORMATION OR COPIES OF DRAWINGS AND TECHNICAL DOCUMENTS	PRODUCT INFORMATION CENTER 1-800-522-6752	VOLTAGE RATING: N/A
FOR APPLICATION TOOLING INFORMATION	TOOLING ASSISTANCE CENTER 1-800-722-1111	CIRCULAR MIL AREA: 6.64-10.5mm² [13,100-20,800] SOLID OR STRANDED
FOR ORDER ENTRY	1-800-526-5142	THIS DRAWING IS A CONTROLLED DOCUMENT FOR AMP INCORPORATED. IT IS SUBJECT TO CHANGE AND THE CONTROLLING ENGINEERING ORGANIZATION SHOULD BE CONTACTED FOR THE LATEST REVISION.

THIS DRAWING IS A CONTROLLED DOCUMENT.	
DIMENSIONS: MM [INCHES]	TOLERANCES UNLESS OTHERWISE SPECIFIED:
	0 PLC ± -
	1 PLC ± -
	2 PLC ± -
	3 PLC ± 0.20[.008]
	4 PLC ± -
MATERIAL	ANGLES ± -
△2	FINISH
	△3

DWN JR RUTH 21MAY04	CHK MJ SPICER 21MAY04	APVD MJ SPICER 21MAY04	Tyco Electronics Corporation Harrisburg, Pa 17105-3608	
PRODUCT SPEC			NAME TERMINAL, RING TONGUE, FLAG, STRATO-THERM	
APPLICATION SPEC			SIZE A2	CAGE CODE 00779
WEIGHT			DRAWING NO C=696722	RESTRICTED TO
CUSTOMER DRAWING			SCALE 8:1	SHEET 1 OF 1
			REV A	

696722

A