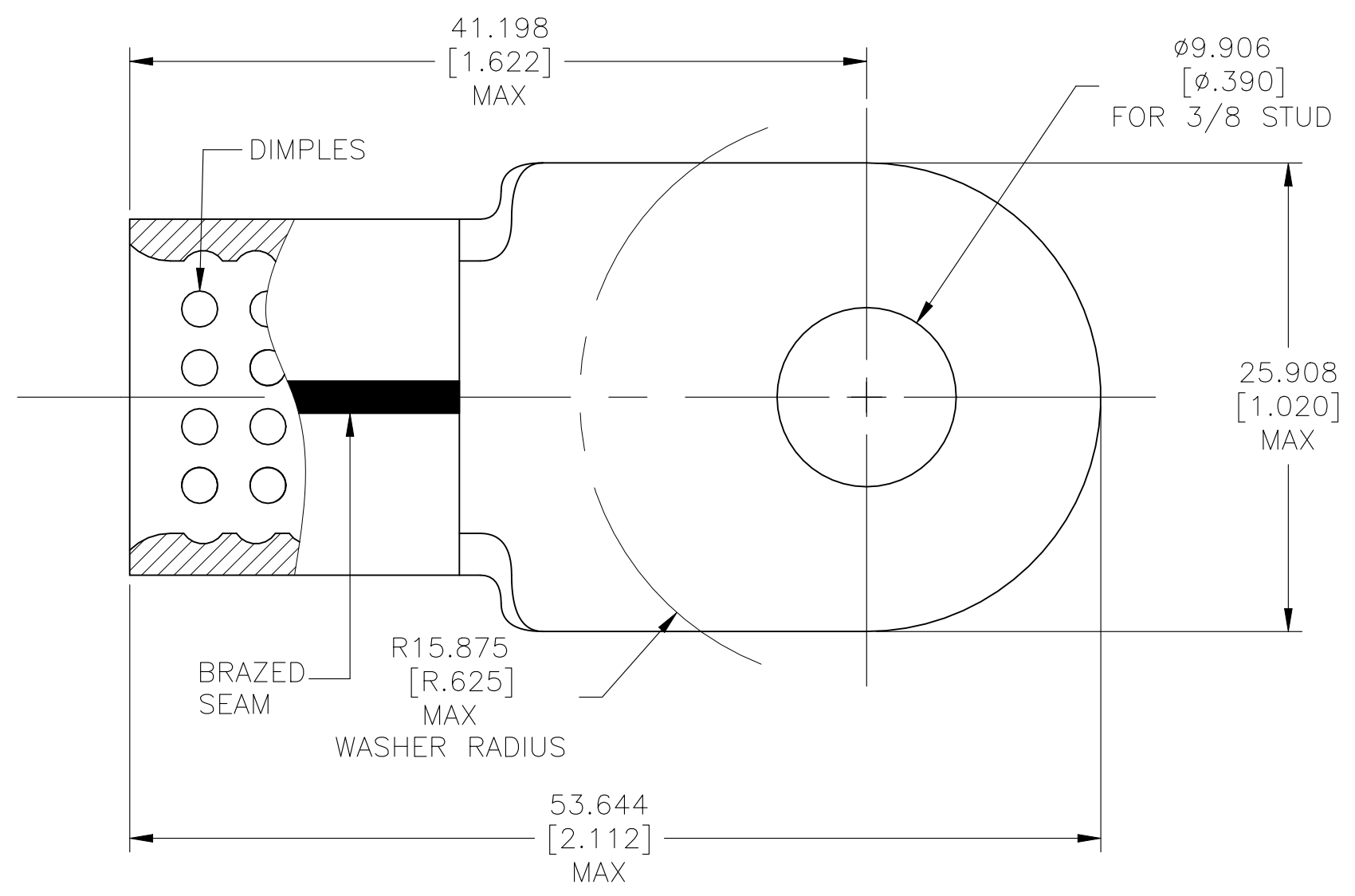


© - TE Connectivity. All Rights Reserved.

REVISIONS

P	LTR	DESCRIPTION	DATE	DWN	APVD
	B	REV PER ECO-19-009164	25JUN2020	SJ	DR



1. WIRE RANGE IS FOR 3/0 AWG. STANDARD WIRE CROSS SECTIONAL AREA RANGE: 150,500-190,000 CMA, STRANDED WIRE
 2. TERMINAL BODY MATERIAL THK IS 2.311±0.076[.091±.003]
 3. RECOMMENDED OPERATING TEMP -55°C(-67°F) TO +200°C(392°F) FOR HEAT SHRINK TUBING.
 4. HEAT SHRINK TUBING SHELF LIFE OF 18 MONTHS FROM DATE CODE ON LABEL.
5. TERMINAL APPLICATION SPECIFICATION 114-2162

1	1-1197706-9	HIGH AND LOW TEMPERATURE CROSS LINKED FLUOROPOLYMER HEAT SHRINK TUBING 25.40[1.00] MIN IDX50.80±3.05[2.00±.12] RT555-1-0-SP
1	321875-1	TERMINAL BODY: COPPER PER ASTM B152 ANNEALED FINISH: NICKEL PLATE 0.00762[.000300] MIN EXT THK PER SAE AMS QQ-N-290
-1	PART NO	DESCRIPTION

THIS DRAWING IS A CONTROLLED DOCUMENT.		DWN JR RUTH 10DEC09	STE TE Connectivity														
DIMENSIONS: mm [INCHES]		CHK TOM MICHIELUTTI 10DEC09															
TOLERANCES UNLESS OTHERWISE SPECIFIED:		APVD TOM MICHIELUTTI 10DEC09	NAME														
<table border="0"> <tr><td>0 PLC</td><td>± -</td></tr> <tr><td>1 PLC</td><td>± -</td></tr> <tr><td>2 PLC</td><td>± -</td></tr> <tr><td>3 PLC</td><td>± 0.127 [.005]</td></tr> <tr><td>4 PLC</td><td>± -</td></tr> <tr><td>ANGLES</td><td>± 1°</td></tr> </table>		0 PLC	± -	1 PLC	± -	2 PLC	± -	3 PLC	± 0.127 [.005]	4 PLC	± -	ANGLES	± 1°	PRODUCT SPEC	HEAT RESISTANT TERMINAL KIT WIRE SIZE: 3/0 AWG		
0 PLC	± -																
1 PLC	± -																
2 PLC	± -																
3 PLC	± 0.127 [.005]																
4 PLC	± -																
ANGLES	± 1°																
MATERIAL SEE TABLE		FINISH SEE TABLE	APPLICATION SPEC	SIZE	RESTRICTED TO												
				CAGE CODE													
				DRAWING NO													
				A300779													
				C-696653													
				SCALE													
				3:1													
				SHEET													
				1 OF 1													
				REV													
				B													