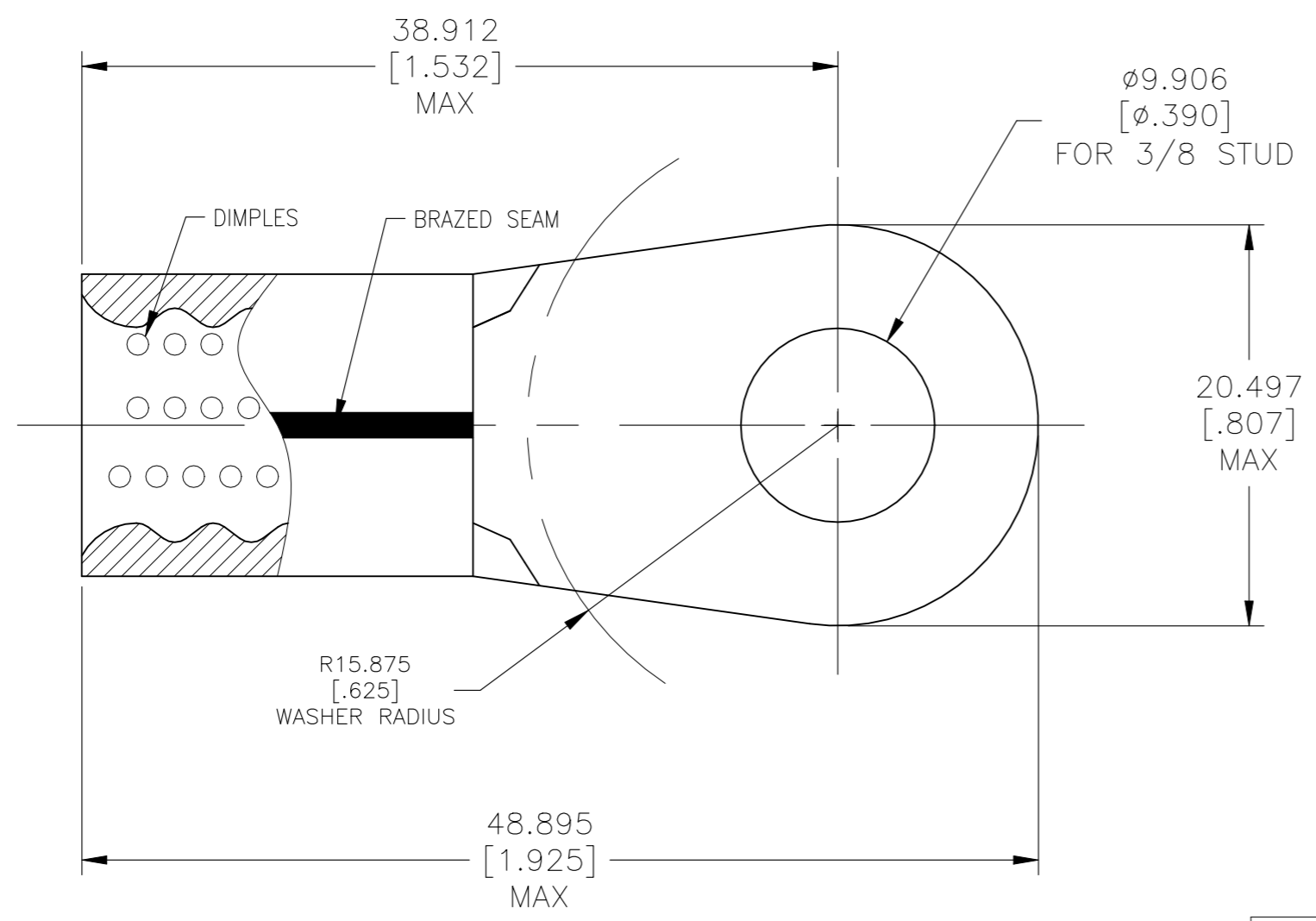


REVISIONS					
P	LTR	DESCRIPTION	DATE	DWN	APVD
	B	REVISED PER ECO-19-009164	24JUN2020	KG	DR



- 1 WIRE RANGE IS FOR 1/0 AWG. STANDARD WIRE CROSS SECTIONAL AREA RANGE: 83,700-119,500 CMA, STRANDED WIRE.
  - 2 TERMINAL BODY MATERIAL THK IS 1.778±0.076[.070±.003].
  - 3 RECOMMENDED OPERATING TEMP -55°C [131°F] TO +200°C [392°F] FOR HEAT SHRINK TUBING
  - 4 HEAT SHRINK TUBING SHELF LIFE OF 18 MONTHS FROM DATE CODE ON LABEL
- △5 TERMINAL BODY PRODUCT SPECIFICATION 108-32046. APPLICATION SPECIFICATION 114-2162.

1	1-1196717-9	HIGH AND LOW TEMPERATURE CROSS LINKED FLUOROPOLYMER HEAT SHRINK TUBING 15.88[.625]MIN IDX44.45±3.05[1.75±.12] RT555-5/8-0-SP
1	323180	TERMINAL BODY: COPPER PER ASTM B152 ANNEALED FINISH: NICKEL PLATE 0.00762 [.000300] MIN EXT THK PER SAE AMS QQ-N-290
-1	PART NO	DESCRIPTION

THIS DRAWING IS A CONTROLLED DOCUMENT.		DWN JR RUTH 08DEC09	<b>STE</b> TE Connectivity		
DIMENSIONS: mm [INCHES]		CHK T MICHELUTTI 08DEC09			
TOLERANCES UNLESS OTHERWISE SPECIFIED:		APVD T MICHELUTTI 08DEC09	NAME		
0 PLC ± -		PRODUCT SPEC	HEAT RESISTANT TERMINAL KIT		
1 PLC ± -		APPLICATION SPEC	WIRE SIZE: 1/0 AWG		
2 PLC ± -			SIZE	CAGE CODE	DRAWING NO
3 PLC ± 0.127 [.005]					RESTRICTED TO
4 PLC ± -					
ANGLES ± 1°			WEIGHT		
MATERIAL SEE TABLE		FINISH SEE TABLE	A3 00779 C-696647		
		CUSTOMER DRAWING		SCALE	SHEET
				3:1	1 OF 1
					REV B