

4

3

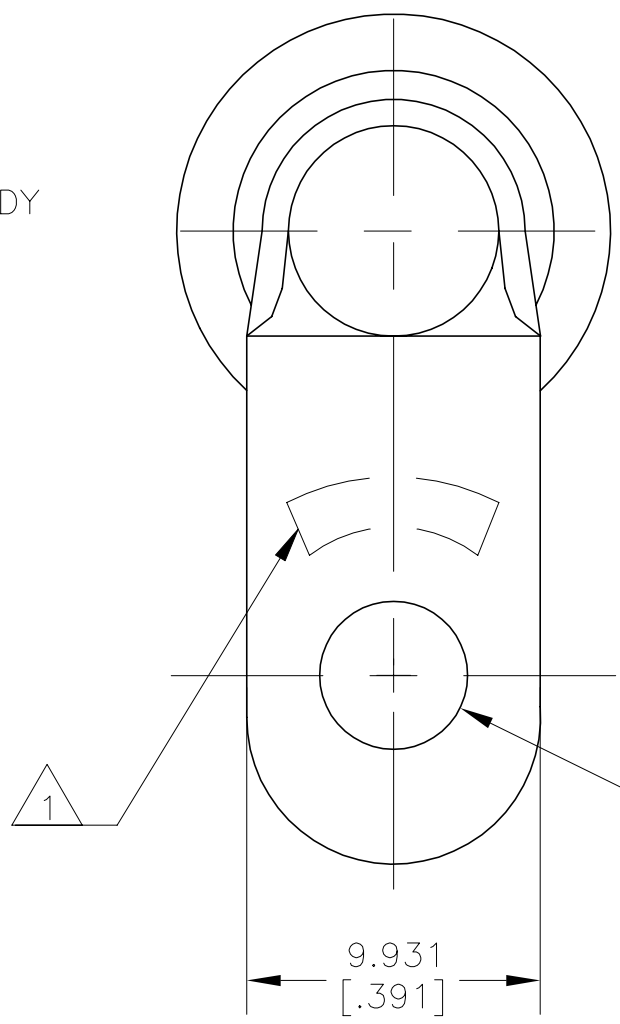
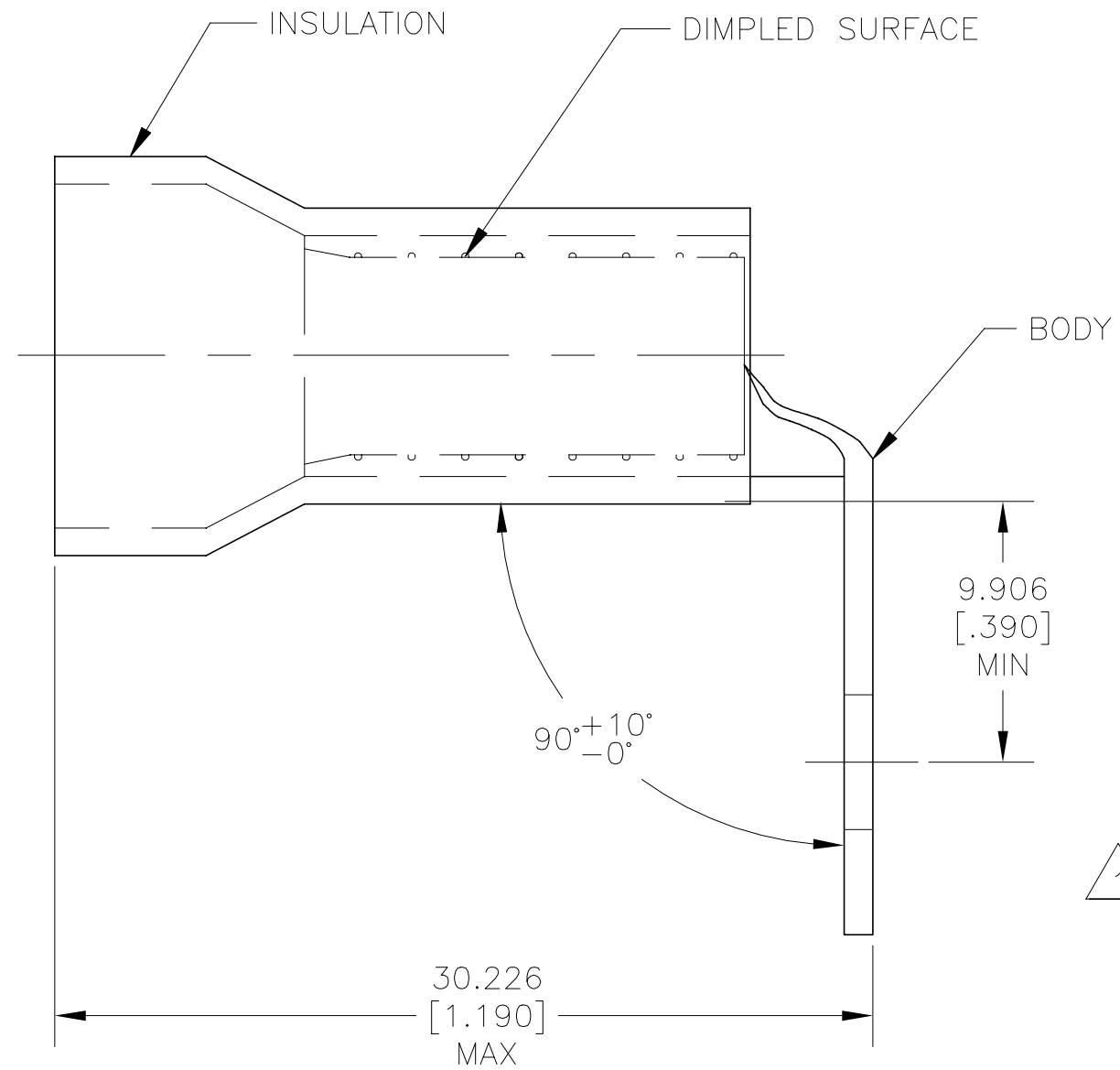
2

1

© - TE Connectivity. All Rights Reserved.

REVISIONS					
P	LTR	DESCRIPTION	DATE	DWN	APVD
	A1	REL PER ECR 06-005202	06MAR06	JR	TM
	A2	REVISED PER ECO-17-014338	15MAY2018	RS	DR
	B	REVISED PER ECO-20-010510	28JUL2020	SG	DR

AMP WIRE RANGE
4 AWG STRANDED



- 1 STAMP AMP 4* LOCATE APPROX AS SHOWN
- 2. BODY MATERIAL THK 1.219±0.051[.048±.002]
- 3. WIRE INSULATION DIA 13.081[.515] MAX
- 4 MATERIAL:
BODY: COPPER PER ASTM B-152
INSULATION: PVC.
- 5 FINISH:
BODY: TIN PLATE 0.00254(.000100) MIN EXT
THK PER ASTM B545
INSULATION: COLOR-YELLOW

1
 $\phi 5.004 \pm 0.076$
 $[\phi .197 \pm .003]$
 FOR #10 STUD

100	LOOSE PC	696434-1
QTY	PACKAGE TYPE	PART NO

AMP INCORPORATED CUSTOMER SERVICE SYSTEMS		MAX RECOMMENDED OPERATING TEMPERATURE: 105°C[221F]	THIS DRAWING IS A CONTROLLED DOCUMENT.		DWN JR RUTH 19DEC05	TE TE Connectivity					
FOR ADDITIONAL PRODUCT INFORMATION OR COPIES OF DRAWINGS AND TECHNICAL DOCUMENTS	PRODUCT INFORMATION CENTER 1-800-522-6752	VOLTAGE RATING: 600V MAX	DIMENSIONS: MM[INCHES]	TOLERANCES UNLESS OTHERWISE SPECIFIED:	CHK T MICHIELUTTI 19DEC05	NAME TERMINAL, RING TONGUE, PLASTI-GRIP, WIRE SIZE: 4 AWG, BENT 90°					
FOR APPLICATION TOOLING INFORMATION	TOOLING ASSISTANCE CENTER 1-800-722-1111	CIRCULAR MIL AREA: 16.77-26.65mm²[33,100-52,600] STRANDED		0 PLC ± - 1 PLC ± - 2 PLC ± 0.127[.005] 3 PLC ± - 4 PLC ± - ANGLES ± -	APVD T MICHIELUTTI 19DEC05						
FOR ORDER ENTRY	1-800-526-5142	THIS DRAWING IS A CONTROLLED DOCUMENT FOR AMP INCORPORATED. IT IS SUBJECT TO CHANGE AND THE CONTROLLING ENGINEERING ORGANIZATION SHOULD BE CONTACTED FOR THE LATEST REVISION.	MATERIAL	FINISH	PRODUCT SPEC NOT AVAILABLE	SIZE A3	CAGE CODE 00779	DRAWING NO C-696434	RESTRICTED TO		
					114-2161	WEIGHT -	CUSTOMER DRAWING		SCALE 4:1	SHEET 1 of 1	REV B