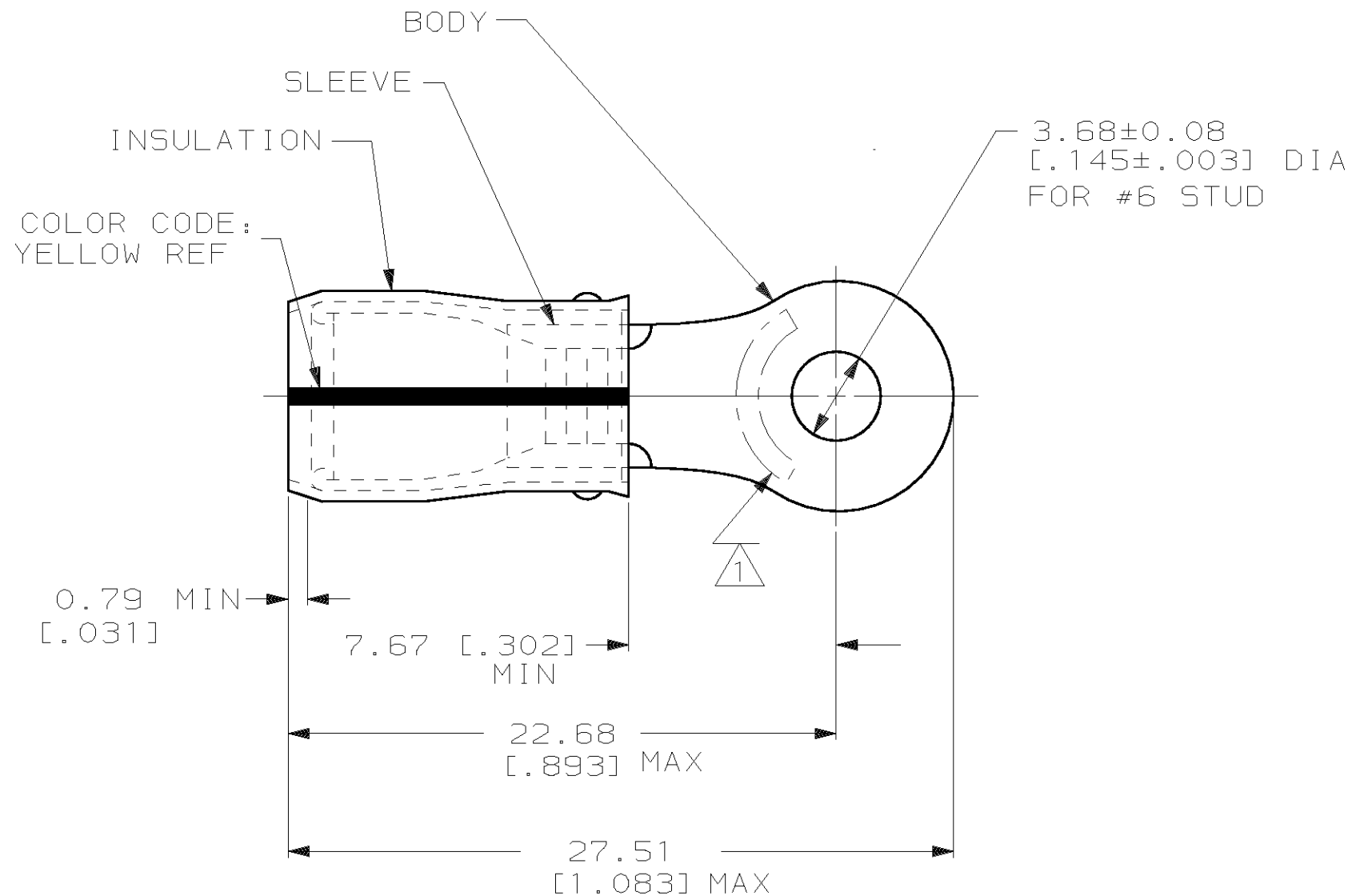


THIS DRAWING IS UNPUBLISHED. RELEASED FOR PUBLICATION, 19  
 © COPYRIGHT 19 BY AMP INCORPORATED. ALL INTERNATIONAL RIGHTS RESERVED.

LOC	DIST	P	F	REVISIONS				
G	14			ZONE	LTR	DESCRIPTION	DATE	APPD
					B	REV PER 0G3A-0568-02	16SEP02	JR/TM

**AMP**  
WIRE RANGE  
12-10 AWG  
STRANDED

**METRIC**  
DIMENSIONS LISTED IN mm [ INCHES ]



- ① STAMP AMP 12-10 APPROX AS SHOWN
- ② WIRE INSULATION DIA: .150-.230
- ③ TONGUE MATERIAL THK: 0.99<sup>+0.05</sup> [.039<sup>+0.002</sup>]
- ④ PRELIMINARY - NOT FOR PRODUCTION & EXPENSIVE PART, HAND CRAFTED.

<b>AMP INCORPORATED CUSTOMER SERVICE SYSTEMS</b>		MAX RECOMMENDED OPERATING TEMPERATURE: 150°C MAX	500	LOOSE PIECE	④ 696243-1
FOR ADDITIONAL PRODUCT INFORMATION OR COPIES OF DRAWINGS AND TECHNICAL DOCUMENTS	PRODUCT INFORMATION CENTER 1-800-522-6752	VOLTAGE RATING: NOT APPLICABLE	QUANTITY	PACKAGE TYPE	PART NO
FOR APPLICATION TOOLING INFORMATION	TOOLING ASSISTANCE CENTER 1-800-722-1111	CIRCULAR MIL AREA: 2.62-6.64mm <sup>2</sup> [5,180-13,100] STRANDED	DR 02JAN01 JR RUTH CHK 02JAN01 MS FEHER APPD 02JAN01 T MICHIELUTTI APPD 02JAN01 T MICHIELUTTI PRODUCT SPEC 108-11023 APPLICATION SPEC NOT AVAILABLE WEIGHT -		
FOR ORDER ENTRY	1-800-526-5142	THIS DRAWING IS A CONTROLLED DOCUMENT FOR AMP INCORPORATED. IT IS SUBJECT TO CHANGE AND THE CONTROLLING ENGINEERING ORGANIZATION SHOULD BE CONTACTED FOR THE LATEST REVISION.	<b>AMP</b> AMP Incorporated Harrisburg, PA 17105-3608 NAME TERMINAL, RING TONGUE, PVF <sub>2</sub> , P.I.D.G™ WIRE SIZE: 12-10 AWG SIZE B CAGE CODE 00779 DRAWING NO C-696243 SCALE 4:1 SHEET 1 OF 1		