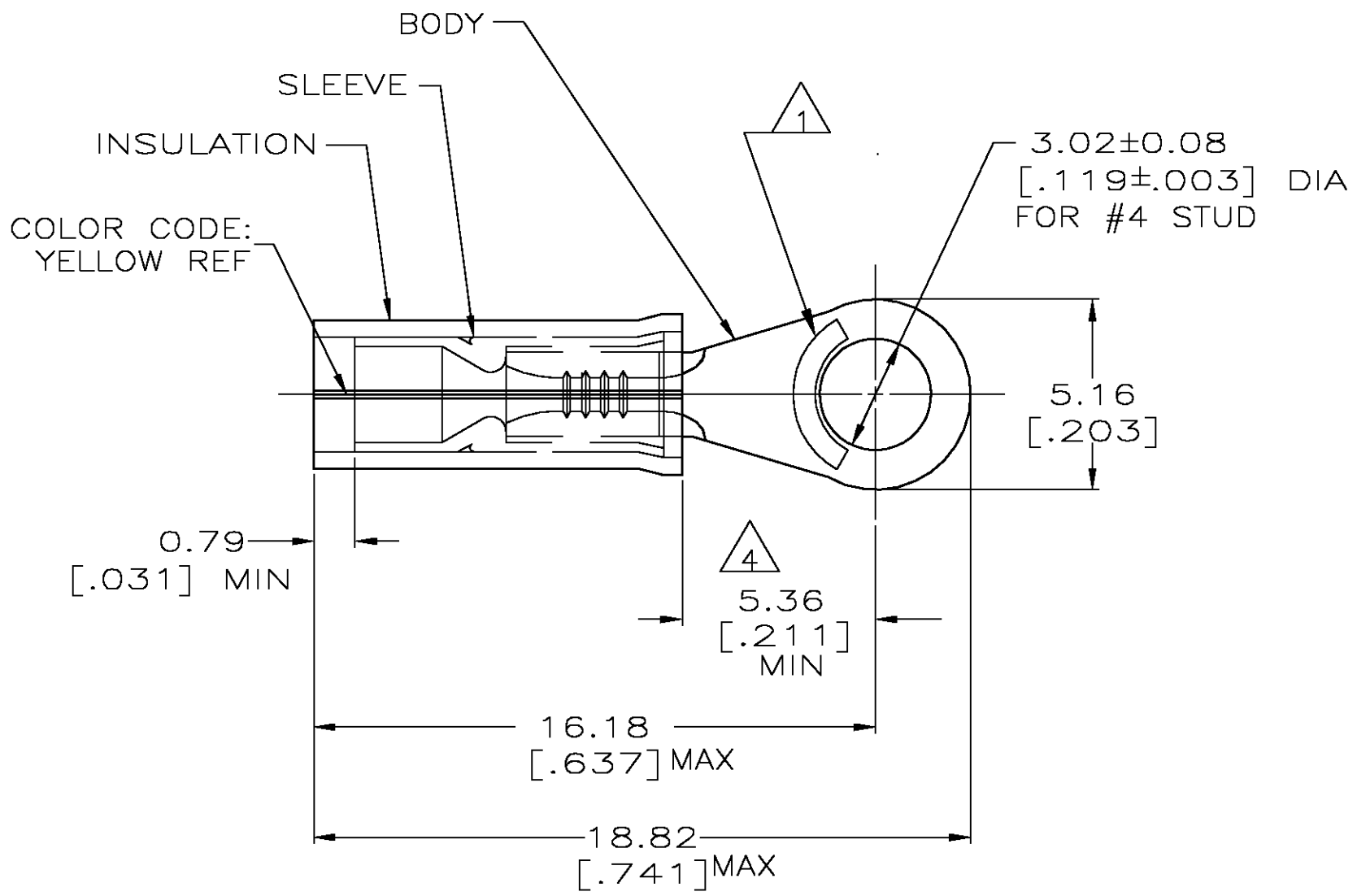


THIS DRAWING IS UNPUBLISHED. RELEASED FOR PUBLICATION
 © COPYRIGHT BY TYCO ELECTRONICS CORPORATION. ALL RIGHTS RESERVED.

LOC	DIST	REVISIONS			
P	LTR	DESCRIPTION	DATE	DWN	APVD
G	14	B1	ADDED NOTE 4	16SEP04	JR TM

AMP
WIRE RANGE

26-24 AWG
STRANDED



- ① STAMP AMP 26-24 APPROX AS SHOWN
- ② WIRE INSULATION DIA: .032 - .082
- ③ TONGUE MATERIAL THK: 0.69 ±0.05 [.027 ±.002]
- ④ DIMENSION APPLIES FROM EDGE OF WIRE BBL TO CENTER OF STUD HOLE.
- ⑤ MATERIAL: BODY & SLEEVE - CU PER ASTM B152
INSULATION: PVF2, NATURAL
- ⑥ FINISH: BODY & SLEEVE - TIN\LEAD (60-40)
PLATE PER SAE-AMS-P-81728
- ⑦ PRELIMINARY - NOT FOR PRODUCTION & EXPENSIVE PART, HAND CRAFTED.

1000	LOOSE PIECE	⑦ 696241-1
QTY	PACKAGE TYPE	PART NO

AMP INCORPORATED CUSTOMER SERVICE SYSTEMS		MAX RECOMMENDED OPERATING TEMPERATURE: 150°C
FOR ADDITIONAL PRODUCT INFORMATION OR COPIES OF DRAWINGS AND TECHNICAL DOCUMENTS	PRODUCT INFORMATION CENTER 1-800-522-6752	VOLTAGE RATING: N/A
FOR APPLICATION TOOLING INFORMATION	TOOLING ASSISTANCE CENTER 1-800-722-1111	CIRCULAR MIL AREA: 0.12-0.24mm² [238-475] STRANDED
FOR ORDER ENTRY	1-800-526-5142	THIS DRAWING IS A CONTROLLED DOCUMENT FOR AMP INCORPORATED. IT IS SUBJECT TO CHANGE AND THE CONTROLLING ENGINEERING ORGANIZATION SHOULD BE CONTACTED FOR THE LATEST REVISION.

THIS DRAWING IS A CONTROLLED DOCUMENT.	
DIMENSIONS: MM [INCHES]	TOLERANCES UNLESS OTHERWISE SPECIFIED:
	0 PLC ± -
	1 PLC ± -
	2 PLC ± 0.20 [.008]
	3 PLC ± -
	4 PLC ± -
	ANGLES ± -
MATERIAL	FINISH
⑤	⑥

DWN JR RUTH 02JAN01	tyco Tyco Electronics Corporation Harrisburg, Pa 17105-3608	
CHK MS FEHER 02JAN01	NAME TERMINAL, RING TONGUE, PVF, P.I.D.G. WIRE SIZE: 26-24 AWG	
APVD T MICHIELUTTI 02JAN01	PRODUCT SPEC -	APPLICATION SPEC NOT AVAILABLE
WEIGHT -	SIZE A3	CAGE CODE 00779
CUSTOMER DRAWING	DRAWING NO C-696241	RESTRICTED TO -
SCALE 4:1	SHEET 1 OF 1	REV B1