

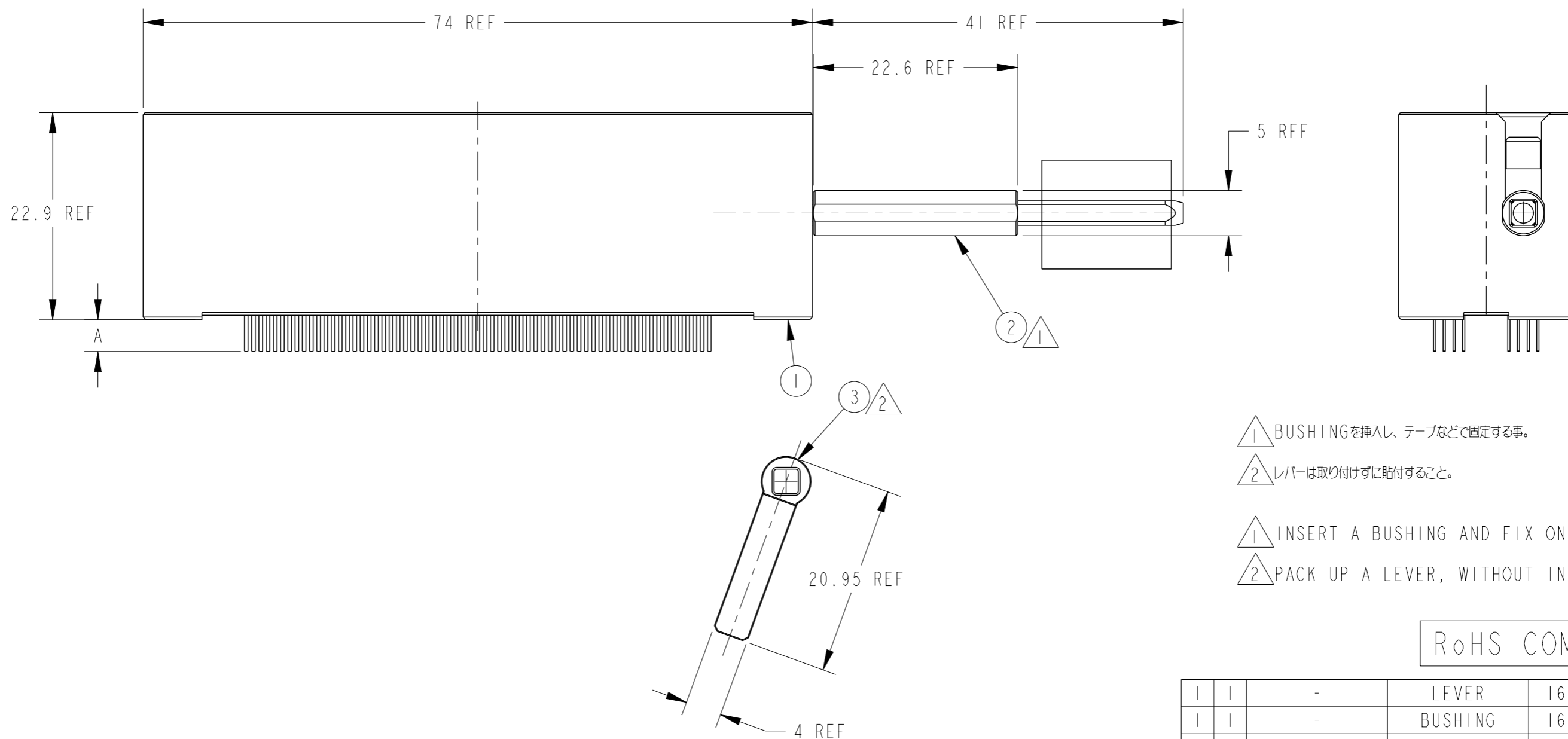
LOC
J

DIST
-

REVISIONS

P	LTR	DESCRIPTION	DATE	DWN	APVD
C2		REVISED	06MAR2009	S.N	M.K
D		REVISED	24JUL2009	T.K	M.K
E		REVISED	10JUN2013	T.K	M.K
E1		REVISED	30JUL2018	S.O	M.K

-1, -3: AS SHOWN
本図



- △1 BUSHINGを挿入し、テープなどで固定する事。
- △2 レバーは取り付けずに貼付すること。
- △1 INSERT A BUSHING AND FIX ON A TAPE etc.
- △2 PACK UP A LEVER, WITHOUT INSERTING.

RoHS COMPLIANT

QTY	UNIT	DESCRIPTION	PART NUMBER	ITEM
1	1	LEVER	1674569-1	3
1	1	BUSHING	1674568-1	2
1	-	2.5 REF	REC ASSEMBLY	6565204-3
-	1	3.5 REF	REC ASSEMBLY	6565204-1
-3	-1	DIMENSION "A"	DESCRIPTION	PART NUMBER

THIS DRAWING IS A CONTROLLED DOCUMENT.		DWN T.KANNO 5MAR2007	TE Connectivity		
DIMENSIONS: mm		CHK M.KIMURA 5MAR2007			
TOLERANCES UNLESS OTHERWISE SPECIFIED:		APVD M.Kimura 5MAR2007	NAME TC ZIF CONNECTOR REC ASSY KIT		
0 PLC ±-		PRODUCT SPEC 108-5771	SIZE		
1 PLC ±-		APPLICATION SPEC 114-5505	CAGE CODE		
2 PLC ±-		WEIGHT 88.8g	DRAWING NO C-6674720		
3 PLC ±-		MATERIAL SEE TABLE	RESTRICTED TO		
4 PLC ±-			SCALE 2:1		
ANGLES ±-		FINISH SEE TABLE		SHEET 1 OF 1	
FINISH SEE TABLE		CUSTOMER DRAWING		REV E1	