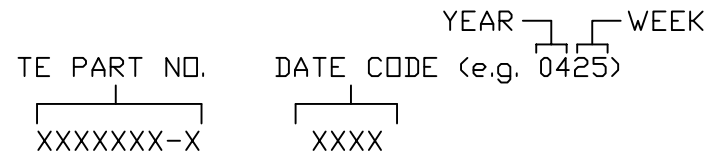


This drawing involves proprietary design rights of Tyco Electronics Corporation, and all design, manufacture, reproduction, use and sale rights regarding the same are expressly reserved. It is submitted for a specific purpose and the recipient by accepting this drawing, assumes custody and control and agrees to take reasonable precautions; (a) that this drawing will not be copied and reproduced, in whole or in part, or its contents revealed in any manner, or to any person except to meet the purpose for which it was delivered and (b) that any special features peculiar to this design will not be incorporated in other projects without the expressed written permission of Tyco Electronics Corporation.

| REVISIONS | | | |
|---------------|-----|--------------------------|----------|
| EC | REV | DESCRIPTION | DATE |
| ECD-17-008524 | A1 | CLARIFY THE P/N AND LOGO | 06/13/17 |

9. ELCON LOGO IS OPTIONAL

8. ITEMS PROVIDED TO THIS SPECIFICATION TO BE PERMANENTLY IDENTIFIED PER THE FOLLOWING IDENTIFIER:



7. RECOMMENDED PRESSING FIXTURE: FIX00001 FOR COMPLIANT APPLICATION IS AVAILABLE. PLEASE CONSULT FACTORY.

6. EXAMPLE PCB CONFIGURATION.

5. THIS CONFIGURATION WITH 3-SEGMENT SIGNAL CONNECTOR IS SHOWN FOR REFERENCE ONLY. COMBINATION OF MULTIPLE NUMBERS OF 2 AND 3 SEGMENT MODULES COULD BE USED PER USER PREFERENCE. OVERALL COMBINATION SHOULD NOT EXCEED 8.0" IN LENGTH.

4. SOCKETS ACCEPT 1.6 [.062] ± 10% THICK PC BOARD.

3. FINISHES:

CONTACTS: SELECTIVE GOLD PER MIL-G-45204, .000030" MIN. THK, OVER NICKEL PER QQ-N-290

TERMINALS: SELECTIVE TIN PER ASTM B-545, OVER NICKEL PER QQ-N-290

2. MATERIALS:

INSULATORS: THERMOPLASTIC, GLASS REINFORCED, COLOR-BLACK UL94V-0 FLAMMABILITY RATED.

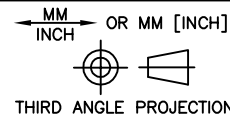


POWER CONTACTS: COPPER ALLOY

1. PART NUMBER CHANGES AND OR DESIGN CHANGES AFFECTING ITEM INTERCHANGEABILITY REQUIRE PRIOR TE APPROVAL AND AUTHORIZATION BY REVISION TO THIS DRAWING.

NOTES: UNLESS OTHERWISE SPECIFIED;

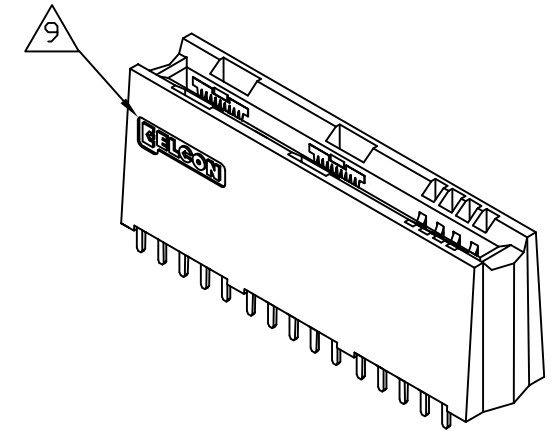
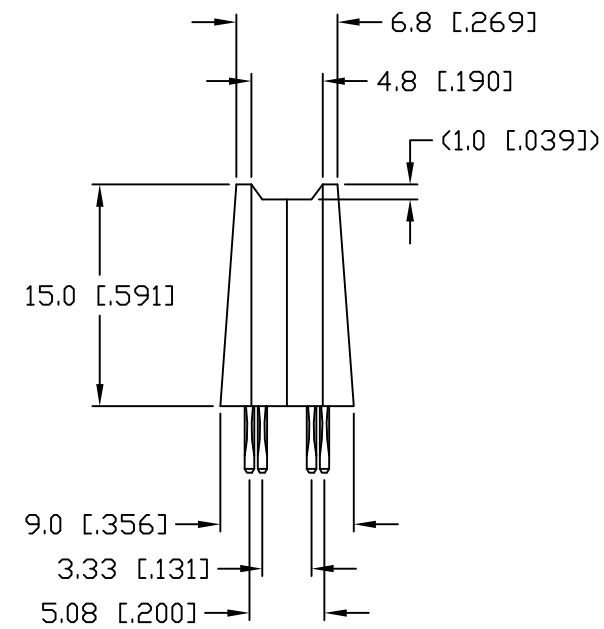
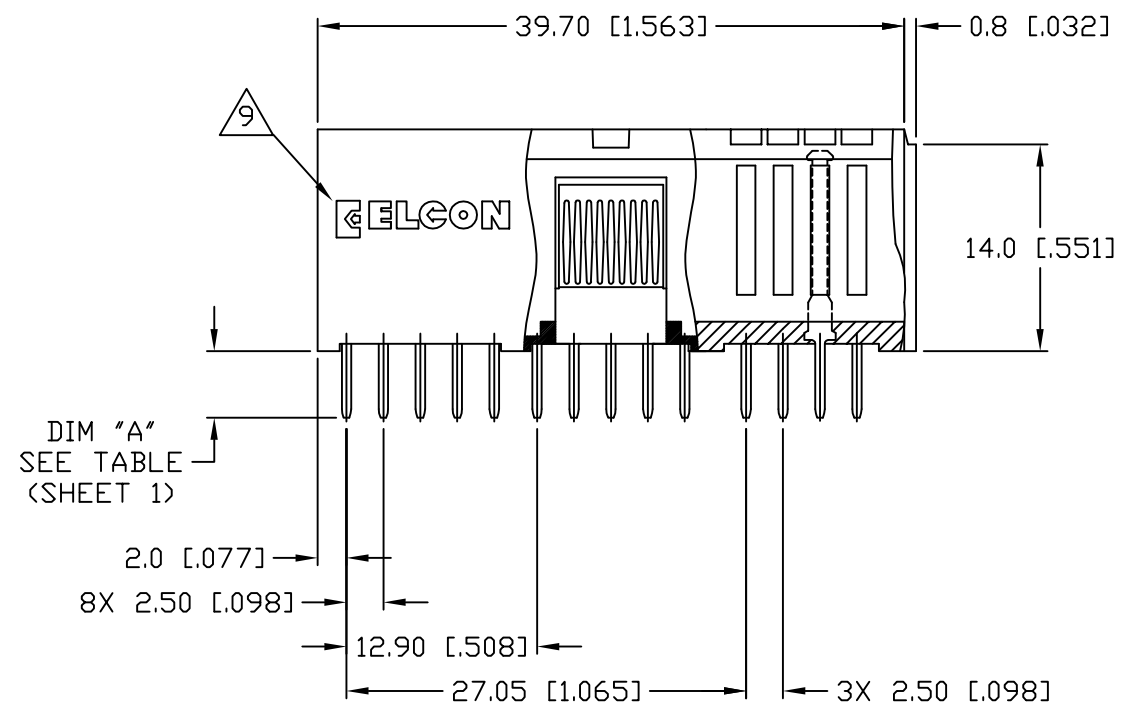
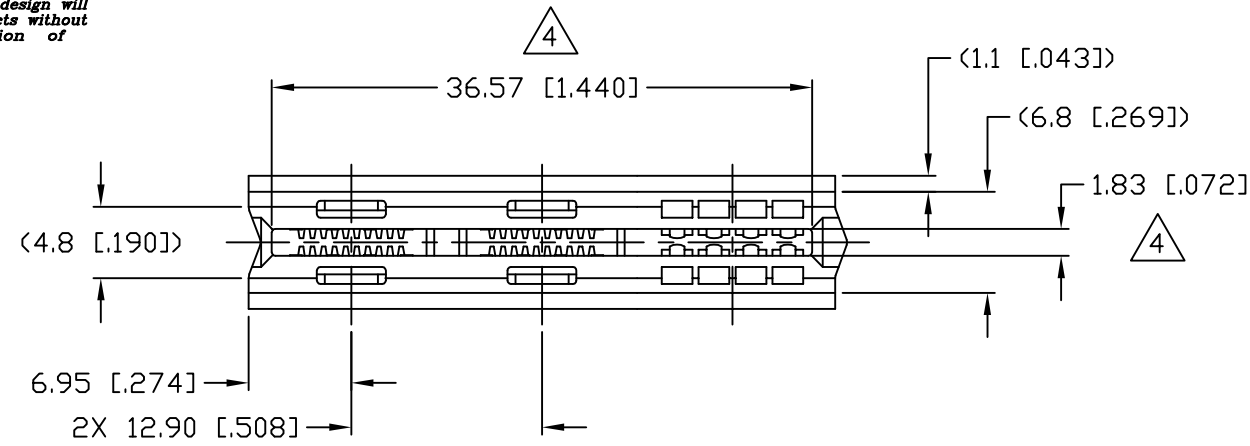
9. PART NUMBER INFORMATION

| CONNECTOR | REFERENCE TE PN | ELCON PART NUMBER | TERMINATION TYPE | PC TAIL LENGTH DIM "A" | RECOMMENDED MOUNTING BOARD | MATING BOARD |
|-----------|-----------------|-------------------|------------------------|----------------------------|----------------------------|------------------|
| SOCKET | 6651290-2 | 284-0112-12100 | SOLDER TAIL (SHORT) | 3.56 [.140] 2.54 [.100] | 1.6 [.062] THICK | 1.6 [.062] THICK |
| SOCKET | 6651290-3 | 284-0112-12300 | SOLDER TAIL (STANDARD) | 5.08 [.200] 4.06 [.160] | 3.2 [.125] OR THINNER | 1.6 [.062] THICK |
| SOCKET | 6651290-1 | 284-0112-11300 | COMPLIANT TAIL | 5.08 [.200] 4.06 [.160] | 2.3 [.093] OR THICKER | 1.6 [.062] THICK |

| | | | | | |
|---|-------------------------|------------------|--|--|--|
|  THIRD ANGLE PROJECTION UNLESS OTHERWISE SPECIFIED DIMENSIONS ARE IN METRIC [INCHES] TOLERANCES ANGLES ± .5° DECIMALS .XX ± .25 [.010] .X ± .5 [.020] | DRAWN HA NGUYEN | DATE 06/24/04 |  Tyco Electronics Corporation Menlo Park, Ca 94025 | |  TITLE SOCKET CONNECTOR, CROWNEDGE PN: 284-0112-12100/284-0112-12300 PN: 284-0112-11300 |
| | CHECKED | | SIZE DWG NUMBER B C = 6651290 | | |
| | APPROVED | | REV. A1 | | |
| | APPROVED D. CHAU | 06/25/04 | DWG SCALE 2=1 SH 1 OF 5 | | |
| | DCA APPROVED M. ALIM | 07/21/04 | ACAD FILE NUMBER C6651290A.DWG | | |

This drawing involves proprietary design rights of Tyco Electronics Corporation, and all design, manufacture, reproduction, use and sale rights regarding the same are expressly reserved. It is submitted for a specific purpose and the recipient by accepting this drawing, assumes custody and control and agrees to take reasonable precautions; (a) that this drawing will not be copied and reproduced, in whole or in part, or its contents revealed in any manner, or to any person except to meet the purpose for which it was delivered and (b) that any special features peculiar to this design will not be incorporated in other projects without the expressed written permission of Tyco Electronics Corporation.

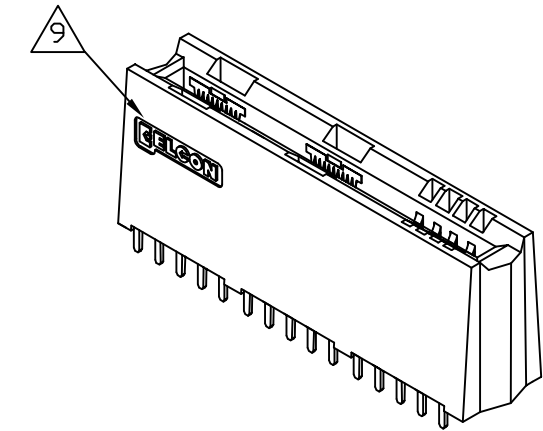
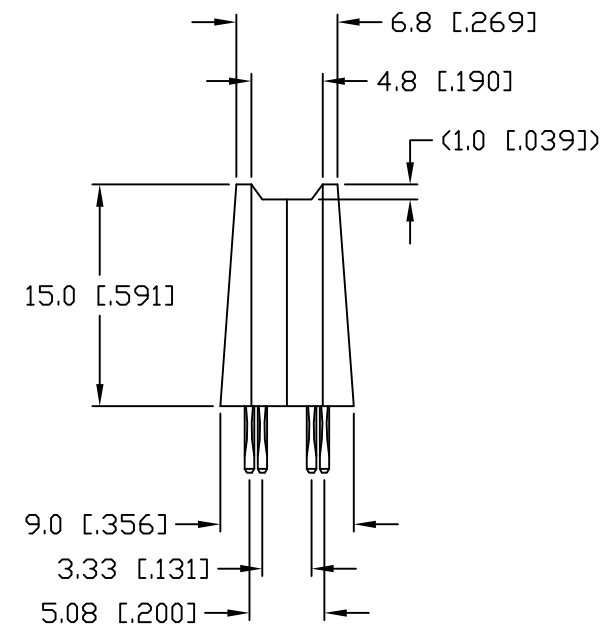
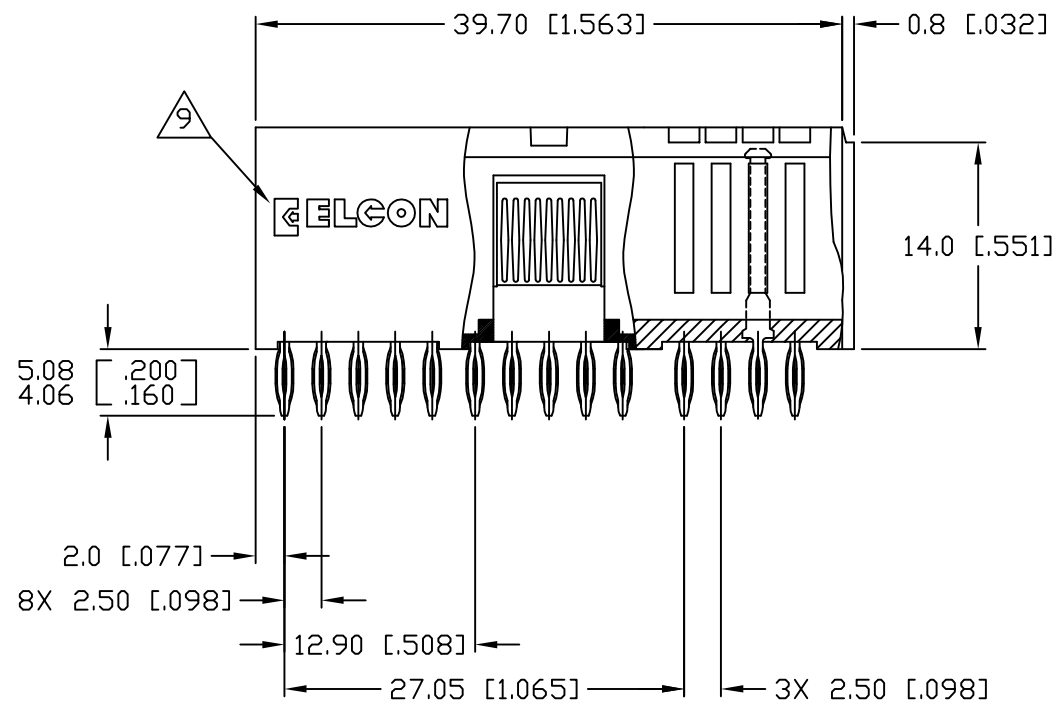
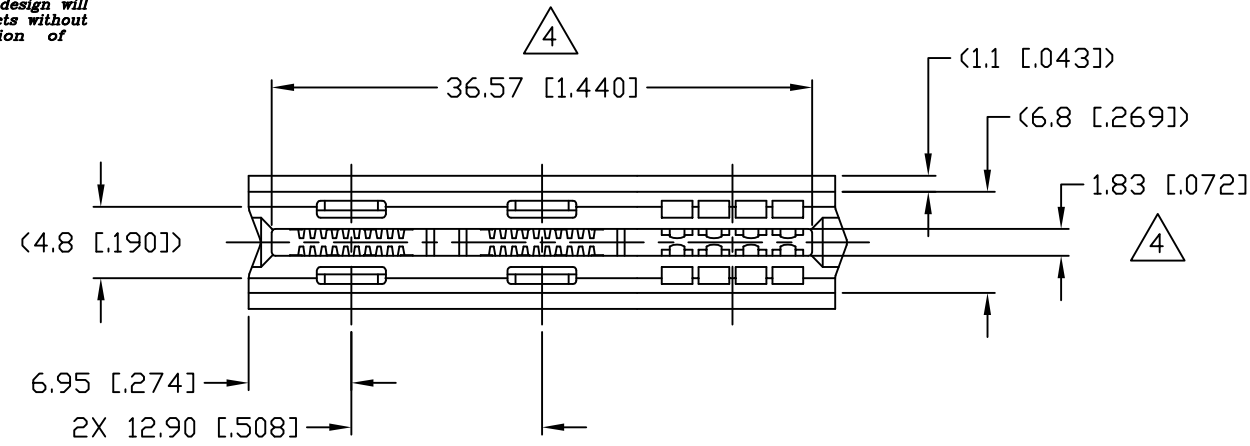
| REVISIONS | | | |
|-----------|-----|-------------|------|
| EC | REV | DESCRIPTION | DATE |
| | | SEE SHEET 1 | |



| | | | | |
|---|--|----------------------|--|---------------------------|
| ← MM OR MM [INCH] THIRD ANGLE PROJECTION UNLESS OTHERWISE SPECIFIED DIMENSIONS ARE IN METRIC [INCHES] TOLERANCES ANGLES ± .5° DECIMALS .XX ± .25 [.010] .X ± .5 [.020] | DRAWN HA NGUYEN | DATE 06/24/04 | Tyco Electronics Corporation Menlo Park, Ca 94025 | |
| | CHECKED | | TITLE SOCKET CONNECTOR, 3 SEG, CROWNEDGE STRAIGHT, 4 POWER, 8 SIGNAL, SOLDER PN: 284-0112-12100/284-0112-12300 | |
| | APPROVED | | SIZE B | DWG NUMBER C = 6651290 |
| | APPROVED D. CHAU DCA APPROVED M. ALIM | 06/25/04 07/21/04 | REV. A1 | |
| ACAD FILE NUMBER C6651290A.DWG | | DWG SCALE 2=1 | | SH 2 OF 5 |

This drawing involves proprietary design rights of Tyco Electronics Corporation, and all design, manufacture, reproduction, use and sale rights regarding the same are expressly reserved. It is submitted for a specific purpose and the recipient by accepting this drawing, assumes custody and control and agrees to take reasonable precautions; (a) that this drawing will not be copied and reproduced, in whole or in part, or its contents revealed in any manner, or to any person except to meet the purpose for which it was delivered and (b) that any special features peculiar to this design will not be incorporated in other projects without the expressed written permission of Tyco Electronics Corporation.

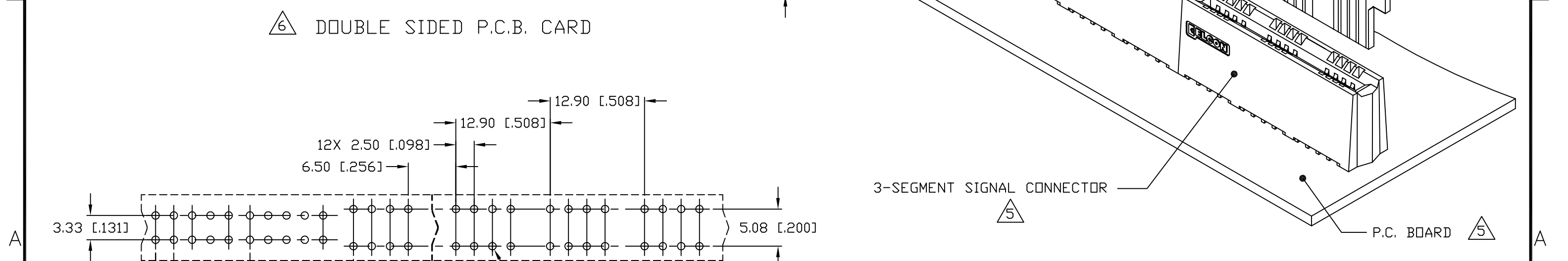
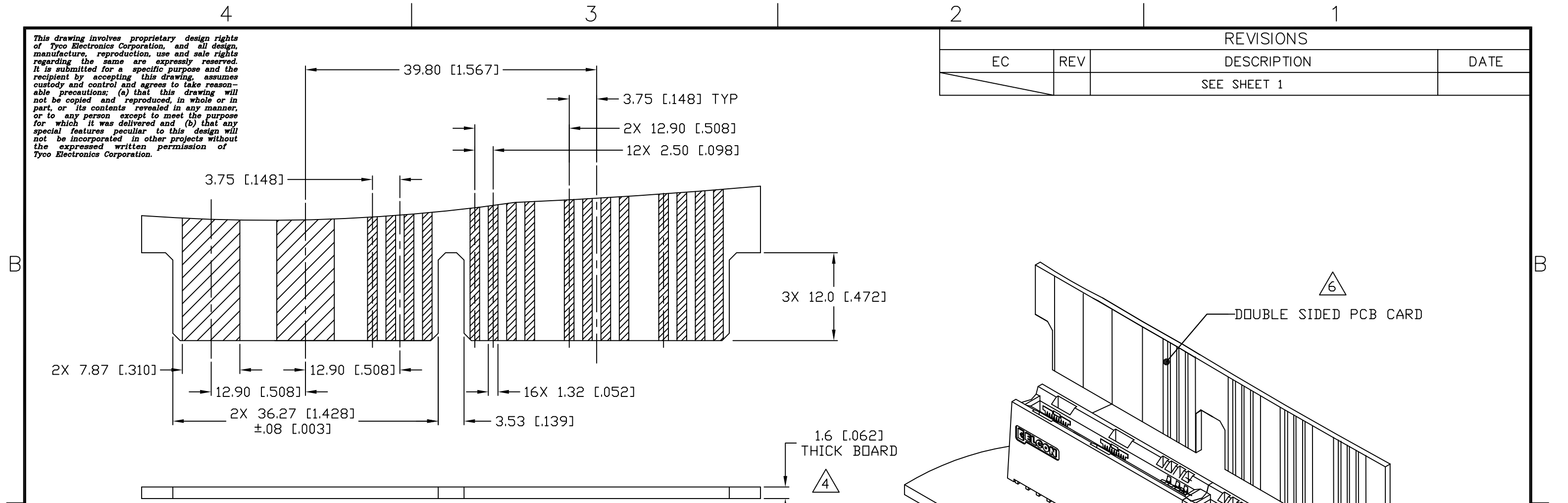
| REVISIONS | | | |
|-----------|-----|-------------|------|
| EC | REV | DESCRIPTION | DATE |
| | | SEE SHEET 1 | |



| | | | | | |
|---|------------------|---------------|--|-------------|---------------|
| ← MM OR MM [INCH] THIRD ANGLE PROJECTION UNLESS OTHERWISE SPECIFIED DIMENSIONS ARE IN METRIC [INCHES] TOLERANCES ANGLES ± .5° DECIMALS .XX ± .25 [.010] .X ± .5 [.020] | DRAWN | DATE | Tyco Electronics Corporation Menlo Park, Ca 94025 | | |
| | HA NGUYEN | 06/24/04 | TITLE | | |
| | CHECKED | | SOCKET CONNECTOR, 3 SEG, CROWNEDGE STRAIGHT, 4 PWR, 8 SIGNAL, COMPLIANT PN: 284-0112-11300 | | |
| | APPROVED | | SIZE | DWG NUMBER | REV. |
| | D. CHAU | 06/25/04 | B | C = 6651290 | A1 |
| | DCA APPROVED | | | | |
| | M. ALIM | 07/21/04 | | | |
| | ACAD FILE NUMBER | C6651290A.DWG | | DWG SCALE | 2=1 SH 3 OF 5 |

This drawing involves proprietary design rights of Tyco Electronics Corporation, and all design, manufacture, reproduction, use and sale rights regarding the same are expressly reserved. It is submitted for a specific purpose and the recipient by accepting this drawing, assumes custody and control and agrees to take reasonable precautions; (a) that this drawing will not be copied and reproduced, in whole or in part, or its contents revealed in any manner, or to any person except to meet the purpose for which it was delivered and (b) that any special features peculiar to this design will not be incorporated in other projects without the expressed written permission of Tyco Electronics Corporation.

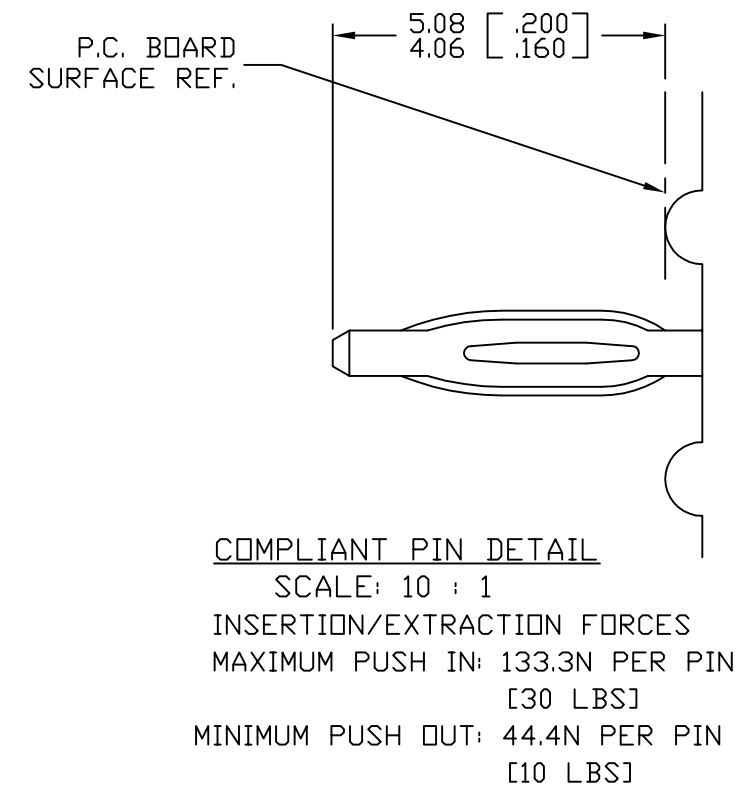
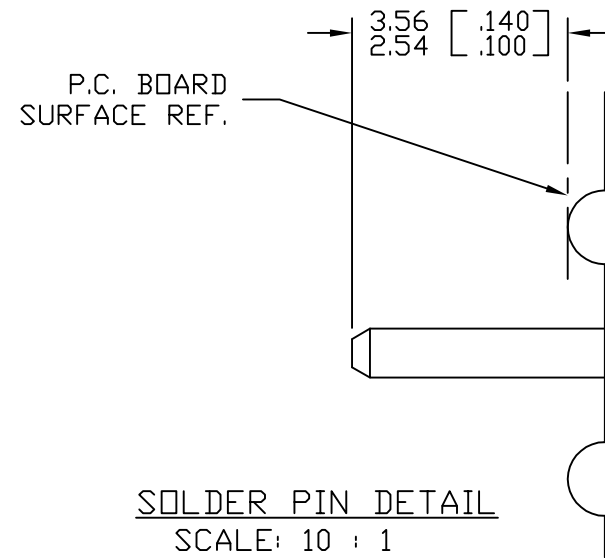
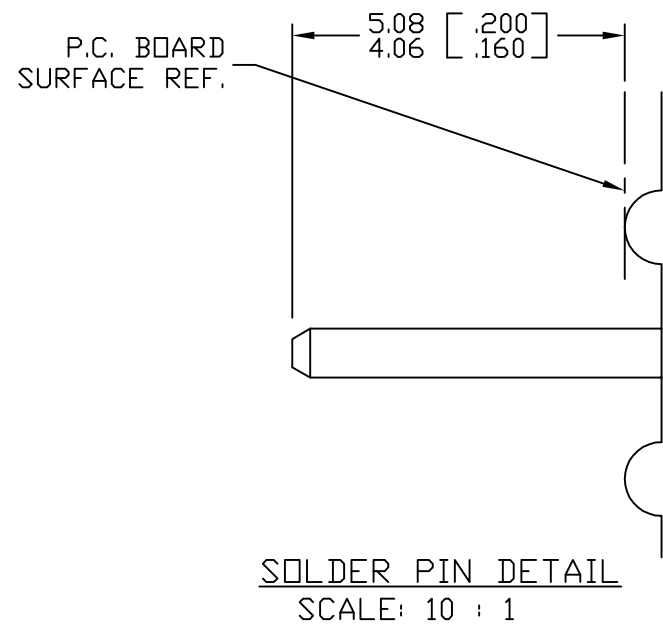
| REVISIONS | | | |
|-----------|-----|-------------|------|
| EC | REV | DESCRIPTION | DATE |
| | | SEE SHEET 1 | |



| | | | | | |
|---|-------------------------|------------------|---|---------------------------|------------|
| ← MM OR MM [INCH] THIRD ANGLE PROJECTION UNLESS OTHERWISE SPECIFIED DIMENSIONS ARE IN METRIC [INCHES] TOLERANCES ANGLES ± .5° DECIMALS .XX ± .25 [.010] .X ± .5 [.020] | DRAWN HA NGUYEN | DATE 06/24/04 | Tyco Electronics Corporation Menlo Park, Ca 94025 | | |
| | CHECKED | | TITLE USER INFORMATION RECOMMENDED PC BOARD LAYOUT CROWNEDGE | | |
| | APPROVED | | SIZE B | DWG NUMBER C = 6651290 | REV. A1 |
| | APPROVED D. CHAU | 06/25/04 | ACAD FILE NUMBER C6651290A.DWG | | |
| | DCA APPROVED M. ALIM | 07/21/04 | DWG SCALE 2=1 SH 4 OF 5 | | |

This drawing involves proprietary design rights of Tyco Electronics Corporation, and all design, manufacture, reproduction, use and sale rights regarding the same are expressly reserved. It is submitted for a specific purpose and the recipient by accepting this drawing, assumes custody and control and agrees to take reasonable precautions; (a) that this drawing will not be copied and reproduced, in whole or in part, or its contents revealed in any manner, or to any person except to meet the purpose for which it was delivered and (b) that any special features peculiar to this design will not be incorporated in other projects without the expressed written permission of Tyco Electronics Corporation.

| REVISIONS | | | |
|-----------|-----|-------------|------|
| EC | REV | DESCRIPTION | DATE |
| | | SEE SHEET 1 | |



RECOMMENDED PRINTED CIRCUIT HOLE
 SOLDER OR COMPLIANT PRESS FIT
 FINISHED HOLE: $\phi 1.02$ [.040] $\pm .08$ [.003]
 DRILLED HOLE: $\phi 1.15$ [.0453] $\pm .013$ [.0005]
 COPPER PLATE: .025 [.0010] MINIMUM (PER SURFACE)
 TIN PLATE: .008 [.0003] MINIMUM (PER SURFACE)

DETAIL A

| | | | | | |
|---|------------------------|-------------------------------|--|--|-----------------------|
| <p>THIRD ANGLE PROJECTION</p> <p>UNLESS OTHERWISE SPECIFIED DIMENSIONS ARE IN METRIC [INCHES]</p> <p>TOLERANCES</p> <p>ANGLES $\pm .5^\circ$</p> <p>DECIMALS</p> <p>.XX $\pm .25$ [.010] .X $\pm .5$ [.020]</p> | <p>MM OR MM [INCH]</p> | <p>DRAWN</p> <p>HA NGUYEN</p> | <p>DATE</p> <p>06/24/04</p> | <p>tyco Tyco Electronics Corporation Electronics Menlo Park, Ca 94025</p> | <p>ELCON</p> |
| | <p>CHECKED</p> | <p>APPROVED</p> | <p>APPROVED</p> | <p>TITLE</p> <p>USER INFORMATION</p> <p>SOLDER & COMPLIANT TERMINATION CROWNEDGE</p> | |
| | <p>D. CHAU</p> | <p>06/25/04</p> | <p>SIZE</p> <p>B</p> | <p>DWG NUMBER</p> <p>C = 6651290</p> | <p>REV.</p> <p>A1</p> |
| | <p>M. ALIM</p> | <p>07/21/04</p> | <p>ACAD FILE NUMBER</p> <p>C6651290A.DWG</p> | <p>DWG SCALE</p> <p>2=1</p> | <p>SH 5 OF 5</p> |