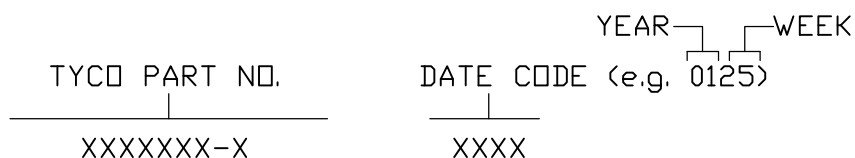


THIS DRAWING IS UNPUBLISHED. RELEASED FOR PUBLICATION
 © COPYRIGHT - BY TYCO ELECTRONICS CORPORATION. ALL RIGHTS RESERVED.

LOC	DIST	REVISIONS					
		P	LTR	DESCRIPTION	DATE	DWN	APVD
GP	00		A	RELEASED	08AUG06	RG	SF

6. FOR MATING CONNECTOR SEE PN 6643737-1.

5 ITEMS PROVIDED TO THIS SPECIFICATION TO BE PERMANENTLY IDENTIFIED PER THE FOLLOWING IDENTIFIER:



4 PIN AND SOCKET PCB TAIL CONTACTS INSTALLED IN THE CONNECTOR ASSEMBLY.

3 FINISHES:

#12 PCB TAILS: TIN PLATE .000120" MIN THK. OVER NICKEL .00005" MIN THK.

#12 PIN CONTACT: GOLD PLATED .00003" MIN THK. OVER NICKEL .00005" MIN THK.

#20 SOCKET BODY: GOLD PLATED .00001" MIN THK. OVER NICKEL .00004" MIN THK.

2 MATERIALS:

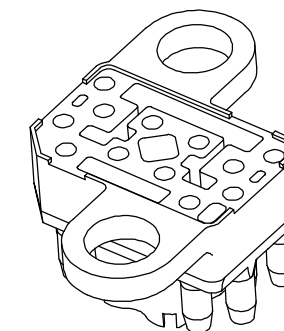
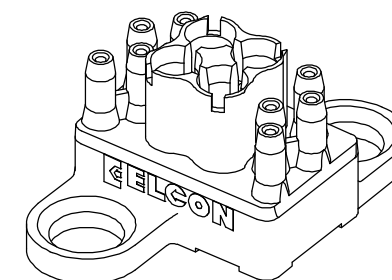
INSULATORS: THERMOPLASTIC, GLASS REINFORCED, COLOR-BLACK, UL94V-0 FLAMMABILITY RATED. OR LCP, 30% GLASS REINFORCED.

#12 PIN CONTACT, PCB TAIL: BRASS ALLOY.

#20 SOCKET BODY, PCB TAIL: LEADED COPPER OR BRASS ALLOY.

CROWN BANDS: BERYLLIUM COPPER.

1. PART NUMBER CHANGES AND OR DESIGN CHANGES AFFECTING ITEM INTERCHANGEABILITY REQUIRE PRIOR ELCON APPROVAL AND AUTHORIZATION BY REVISION TO THIS DRAWING.



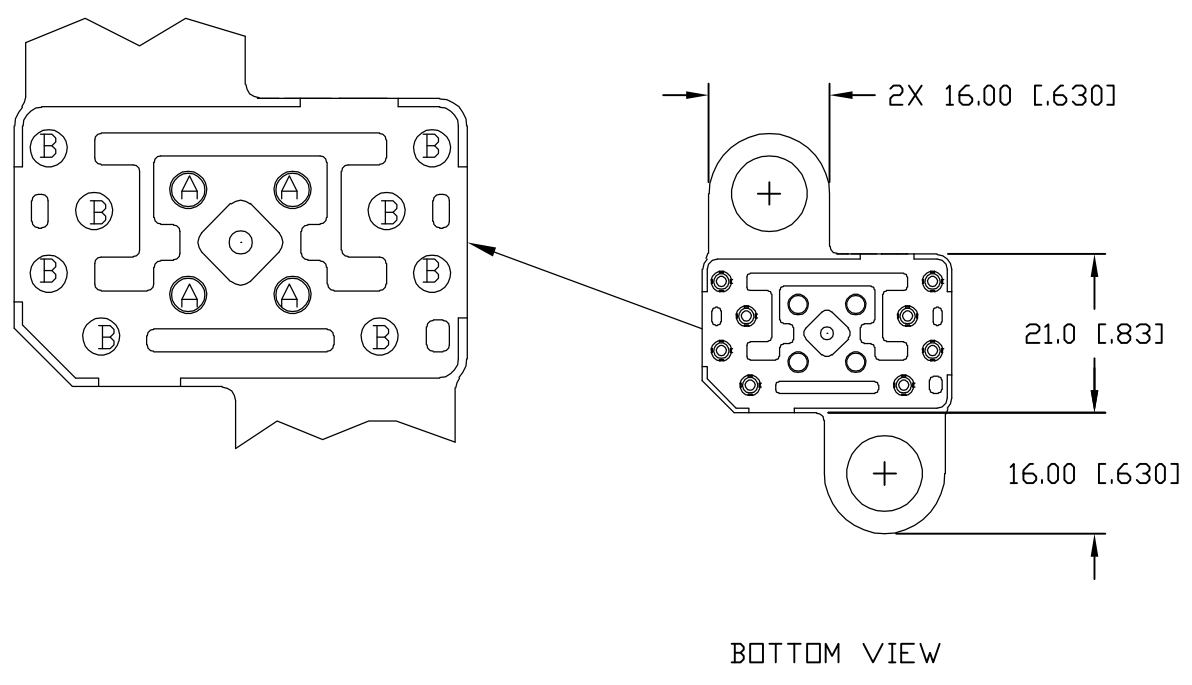
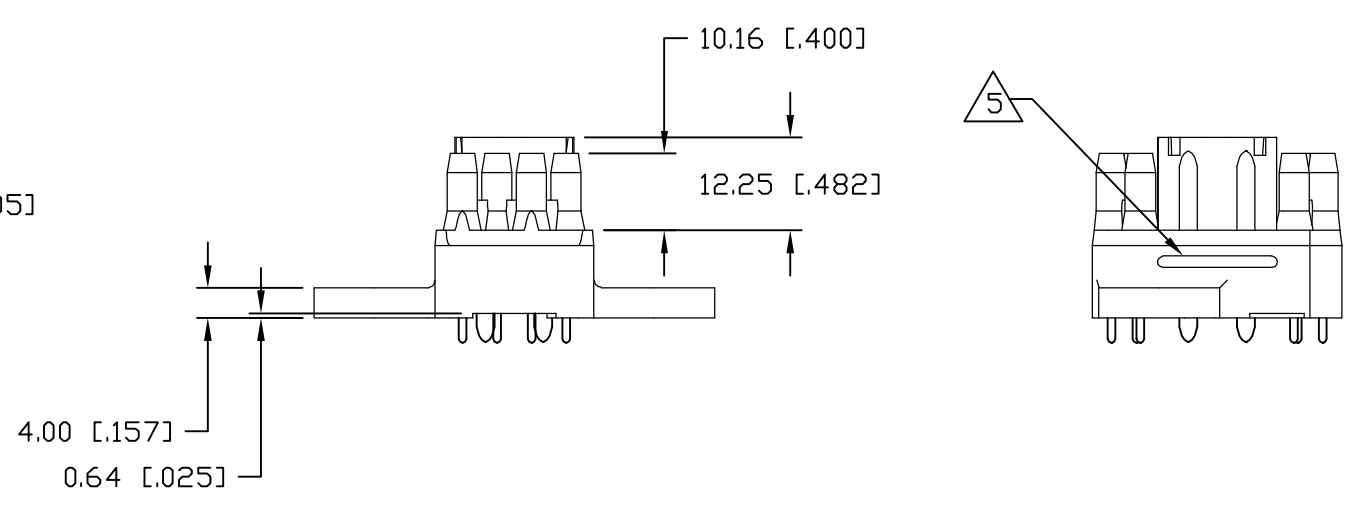
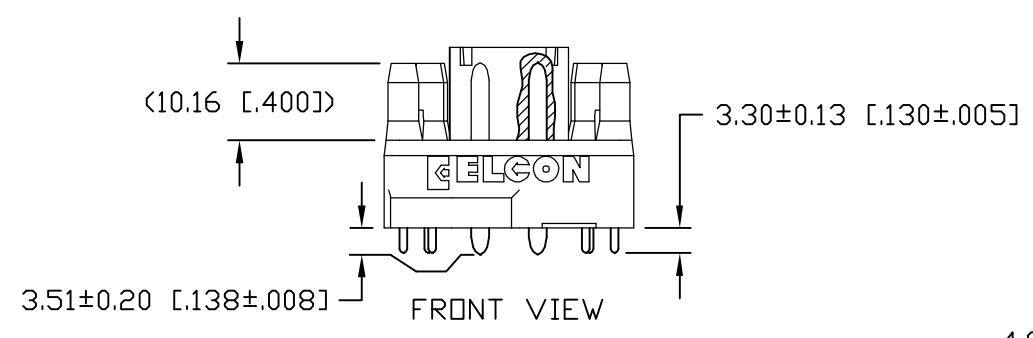
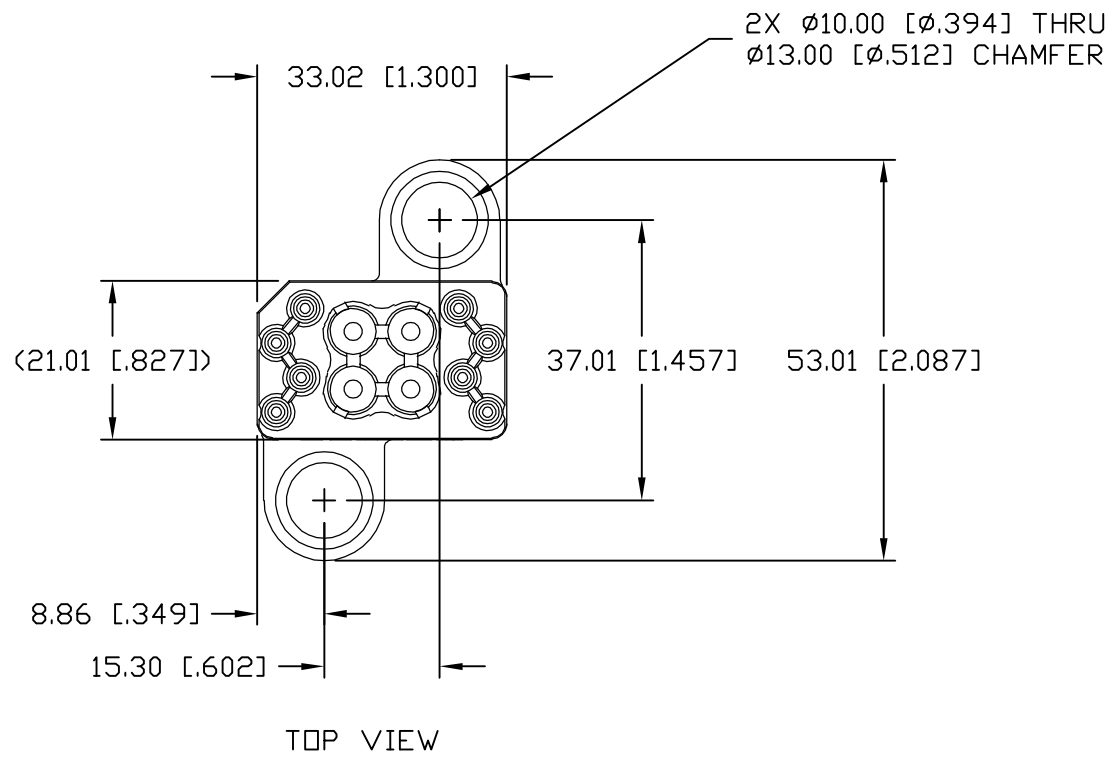
VIEW SHOWN WITHOUT CONTACTS

1	1648915-1	HOUSING, PCB SIDE, FRONT	C
8	1648366-1	SA CONTACT, SOCKET, #20, PCB TAIL, GOLD	B
4	1766907-1	CONTACT, PIN, #12, PCB TAIL, STAMP	A
-1	PART NUMBER	DESCRIPTION	ITEM

THIS DRAWING IS A CONTROLLED DOCUMENT.		DWN 09AUG2006 R.GRZYBOWSKI	Tyco Electronics Corporation Harrisburg, PA 17105-3608	
DIMENSIONS: mm		CHK 09AUG06 S.FLICKINGER	NAME CUSTOMER DRAWER, PD-P4S8 STRAIGHT CONNECTOR, PCB SIDE	
TOLERANCES UNLESS OTHERWISE SPECIFIED:		APVD 09AUG06 S.FLICKINGER	PRODUCT SPEC APPLICATION SPEC	
0 PLC ± -		SIZE CAGE CODE DRAWING NO RESTRICTED TO		
1 PLC ± .5 [.02]		A3 00779 C-6643735		
2 PLC ± .25 [.010]		SCALE 1:1 SHEET 1 OF 3 REV A		
3 PLC ± -		CUSTOMER DRAWING		
4 PLC ± -				
ANGLES ± .5				
FINISH				
- 2				
- 3				

THIS DRAWING IS UNPUBLISHED. RELEASED FOR PUBLICATION
 © COPYRIGHT - BY TYCO ELECTRONICS CORPORATION. ALL RIGHTS RESERVED.

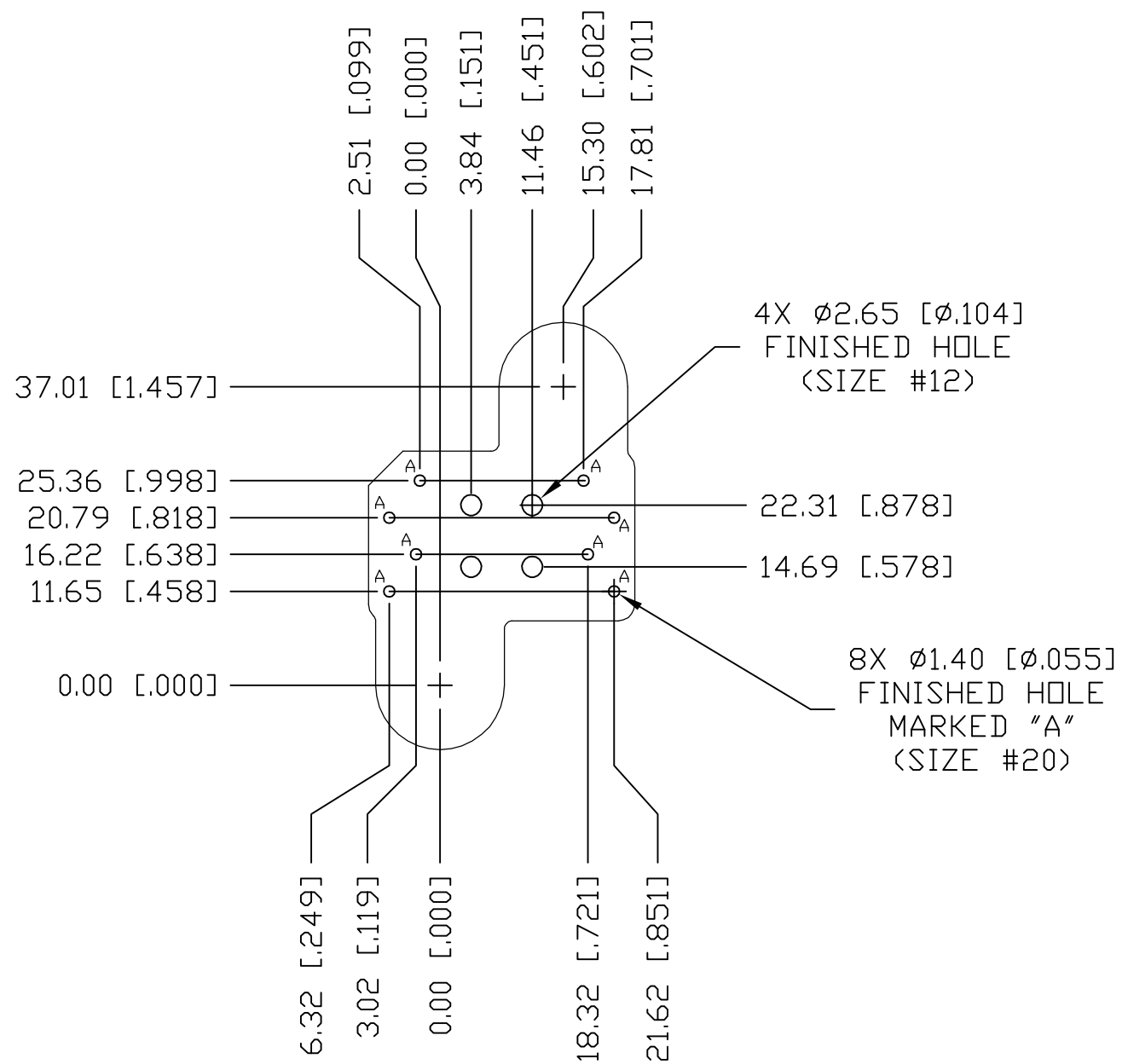
LOC	DIST	REVISIONS			
P	LTR	DESCRIPTION	DATE	DWN	APVD
GP	00	SEE SHEET 1	-	-	-



THIS DRAWING IS A CONTROLLED DOCUMENT.		DWN R.GRZYBOWSKI 09AUG2006	Tyco Electronics Corporation Harrisburg, PA 17105-3608		
DIMENSIONS: mm		CHK S.FLICKINGER 09AUG06	NAME		
TOLERANCES UNLESS OTHERWISE SPECIFIED:		APVD S.FLICKINGER 09AUG06	CUSTOM DRAWER, PD-P4S8 STRAIGHT CONNECTOR, PCB SIDE		
0 PLC ± - 1 PLC ± .5 [.02] 2 PLC ± .25 [.010] 3 PLC ± - 4 PLC ± - ANGLES ± .5		PRODUCT SPEC -	APPLICATION SPEC -	SIZE A3	CAGE CODE 00779
MATERIAL -		FINISH -	WEIGHT -	DRAWING NO C-6643735	RESTRICTED TO -
CUSTOMER DRAWING			SCALE 1:1	SHEET 2 OF 3	REV A

THIS DRAWING IS UNPUBLISHED. RELEASED FOR PUBLICATION
 © COPYRIGHT - BY TYCO ELECTRONICS CORPORATION. ALL RIGHTS RESERVED.

LOC	DIST	REVISIONS			
P	LTR	DESCRIPTION	DATE	DWN	APVD
GP	00	SEE SHEET 1	-	-	-



SUGGESTED PCB LAYOUT
 (VIEWED FROM CONNECTOR MOUNTING SIDE)

THIS DRAWING IS A CONTROLLED DOCUMENT.		DWN R.GRZYBOWSKI 09AUG2006	Tyco Electronics Corporation Harrisburg, PA 17105-3608		
DIMENSIONS: mm		CHK S.FLICKINGER 09AUG06	NAME		
		APVD S.FLICKINGER 09AUG06	CUSTOM DRAWER, PD-P4S8 STRAIGHT CONNECTOR, PCB SIDE		
TOLERANCES UNLESS OTHERWISE SPECIFIED:		PRODUCT SPEC	RESTRICTED TO		
0 PLC ± - 1 PLC ± .5 [.02] 2 PLC ± .25 [.010] 3 PLC ± - 4 PLC ± - ANGLES ± .5		APPLICATION SPEC	SIZE	CAGE CODE	DRAWING NO
MATERIAL		WEIGHT	A3	00779	C-6643735
FINISH		CUSTOMER DRAWING		SCALE	SHEET
				1:1	3 OF 3
				REV	A