

4

3

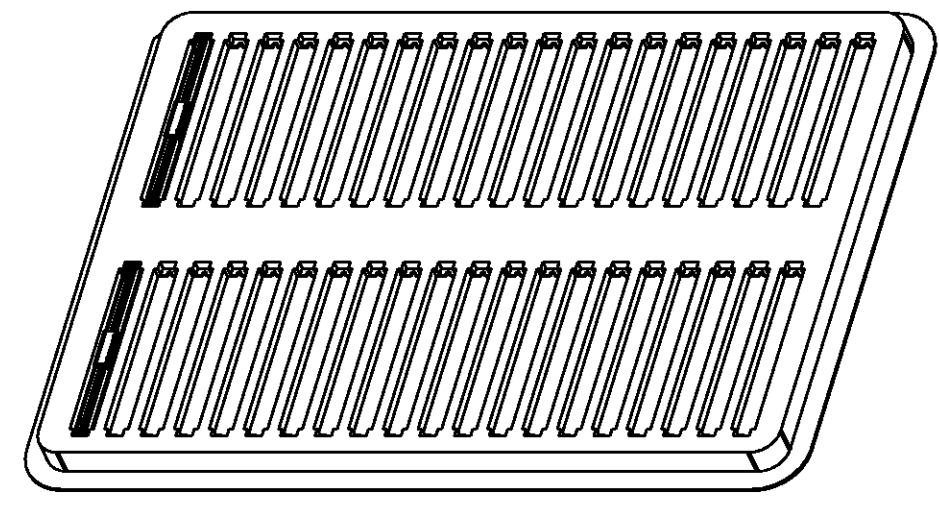
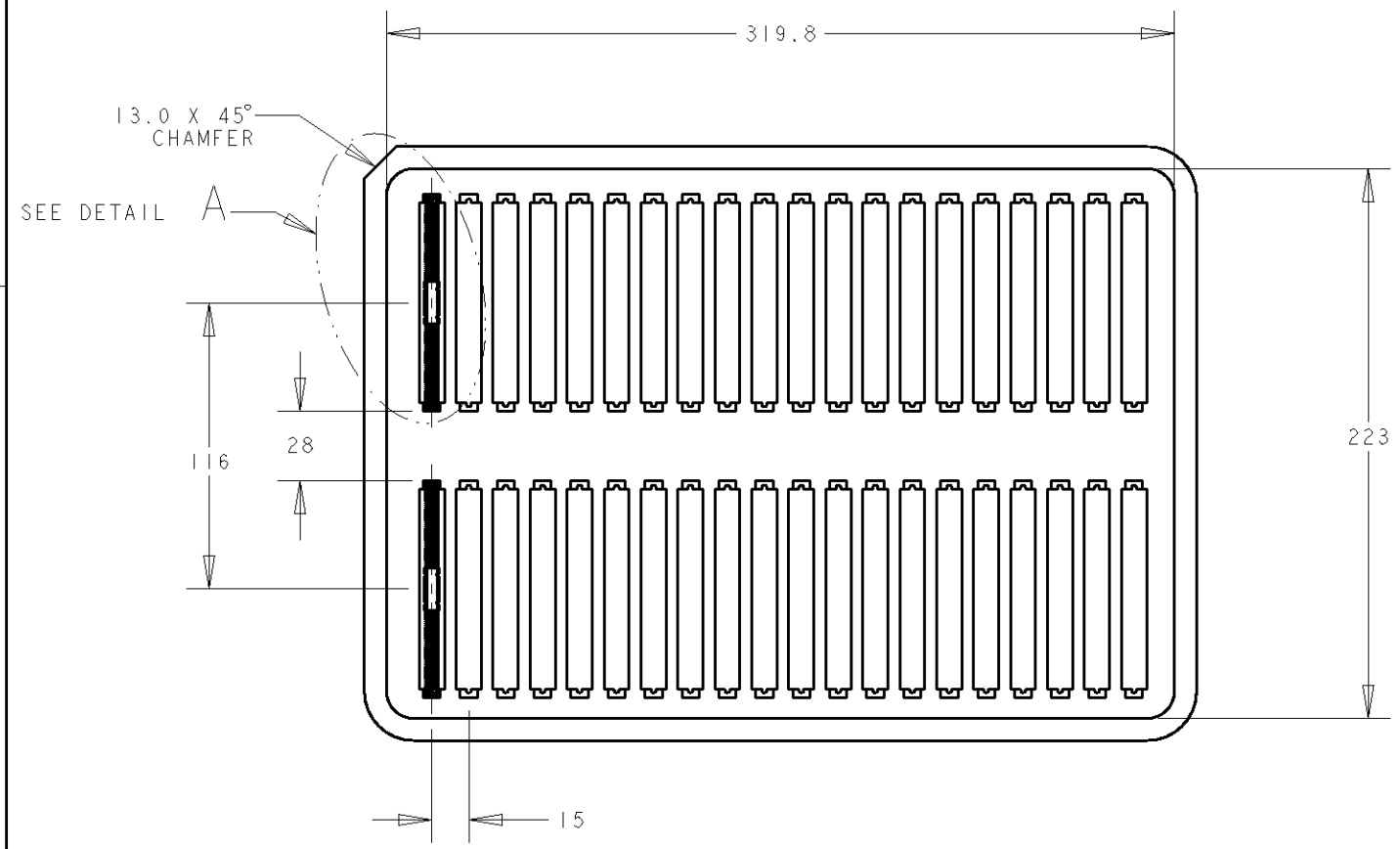
2

1

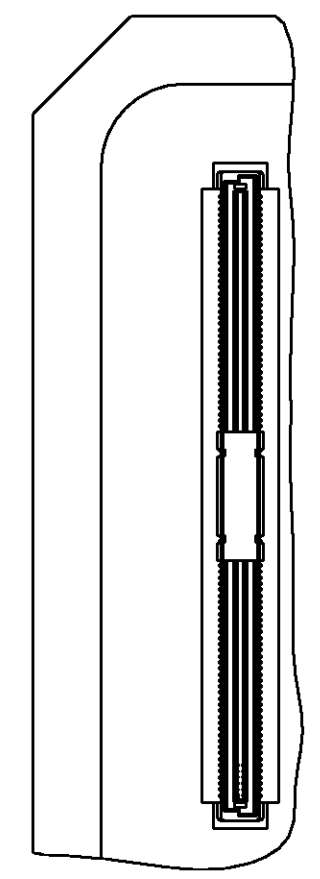
THIS DRAWING IS UNPUBLISHED. RELEASED FOR PUBLICATION .19 .

© COPYRIGHT 19 BY AMP INCORPORATED. ALL RIGHTS RESERVED.

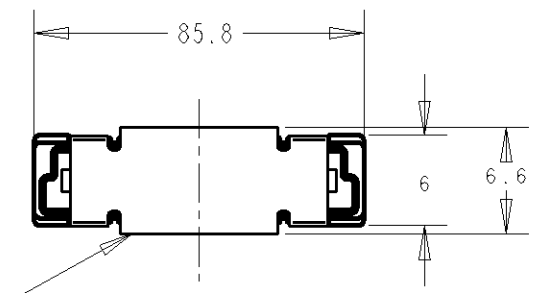
LOC	DIST	REVISIONS				
P	LTR	DESCRIPTION	DATE	DWN	APVD	
DY	-					
	0	NPR FP00-0230-04	20SEP04	FTAN	LSF	



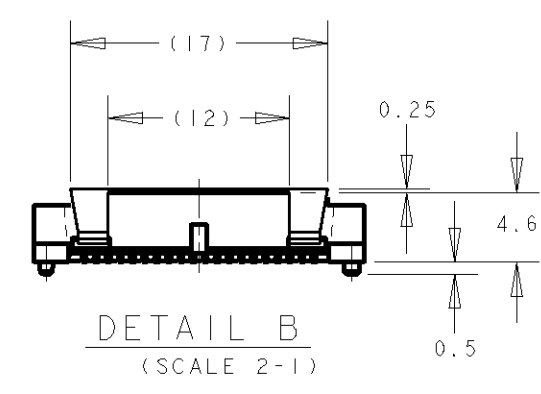
SCALE 1:3



DETAIL A  
SCALE 1:1



STEEL COVER



DETAIL B  
(SCALE 2-1)

THIS DRAWING IS A CONTROLLED DOCUMENT FOR AMP INCORPORATED. IT IS SUBJECT TO CHANGE AND THE CONTROLLING ENGINEERING ORGANIZATION SHOULD BE CONTACTED FOR THE LATEST REVISION.

DIMENSIONS:	TOLERANCES UNLESS OTHERWISE SPECIFIED:
mm	0 PLC ±-
	1 PLC ±0.20
	2 PLC ±0.25
	3 PLC ±0.30
	4 PLC ±-
	ANGLES ±3°
MATERIAL	FINISH
-	-

DWN	20SEP04
CHK	FLORENCE TAN
APVD	ERIC TNG
PRODUCT SPEC	SF L FONG
APPLICATION SPEC	-
WEIGHT	-
CUSTOMER DRAWING	

40	5H	1-5177984-0	200	1-6489907-0
QTY/TRAY	HEIGHT TYPE	CONN P/N	POS.	PART NO.
		<b>tyco</b> Tyco Electronics <b>Electronics</b> (Singapore) Pte. Ltd.		
NAME PLUG A'SSY WITH STEEL COVER (TUBE PACK) FH 0.8mm PITCH B-T-B CONNECTOR				
SIZE	CAGE CODE	DRAWING NO		
A3	00779	C-6489907		
SCALE 1:1		SHEET 1	OF 1	REV 0