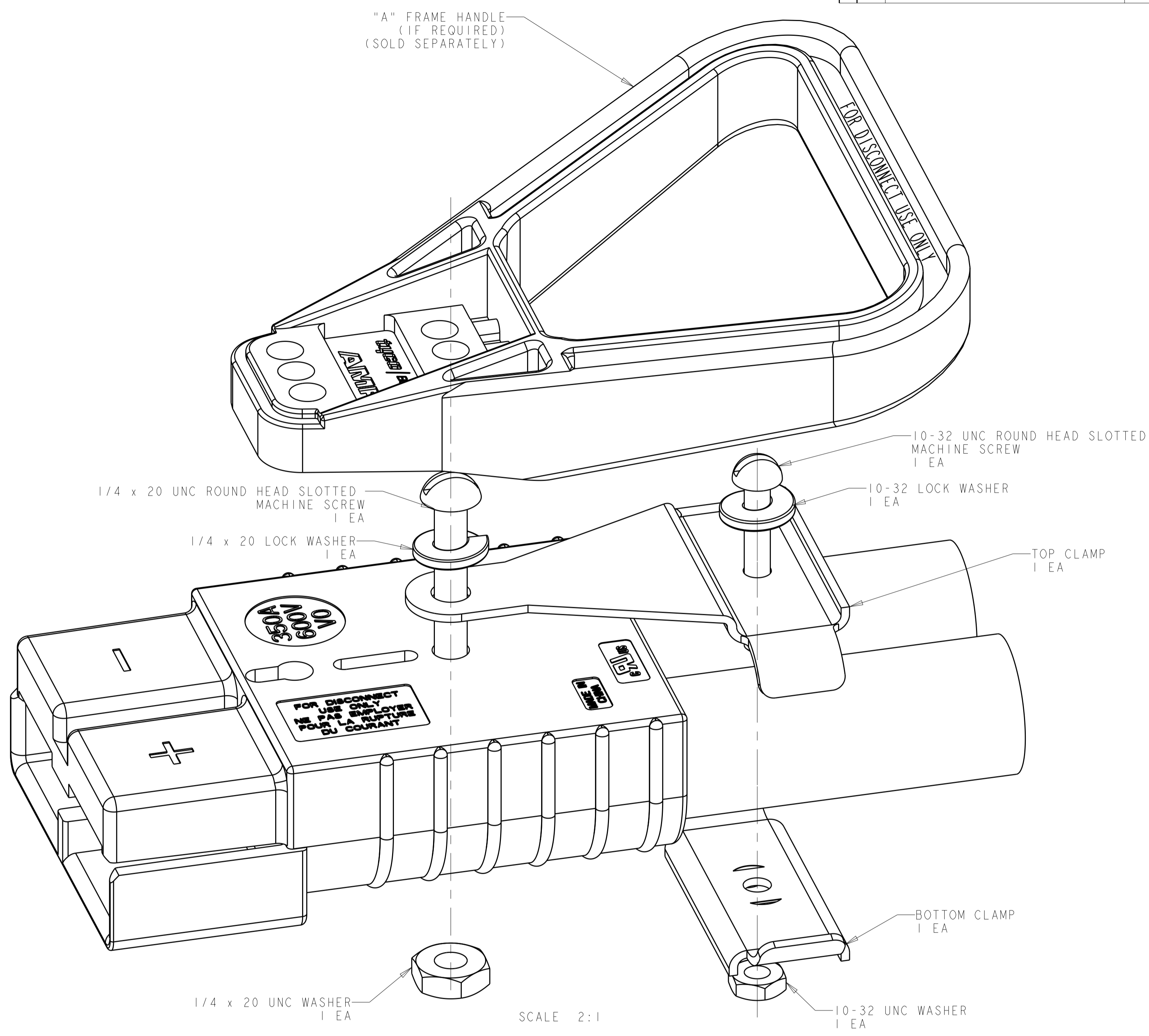
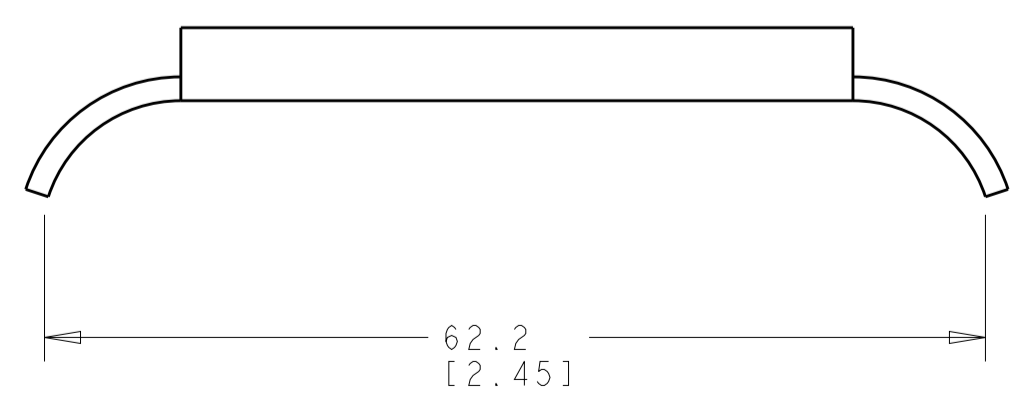
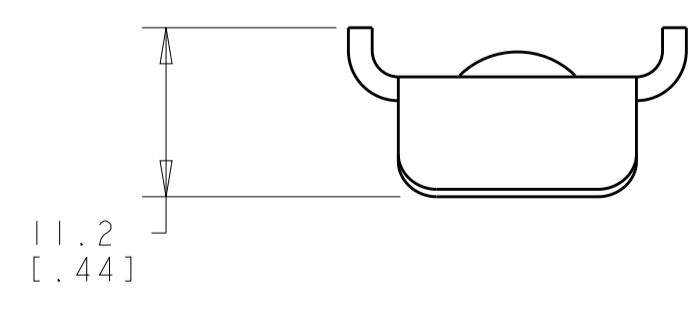
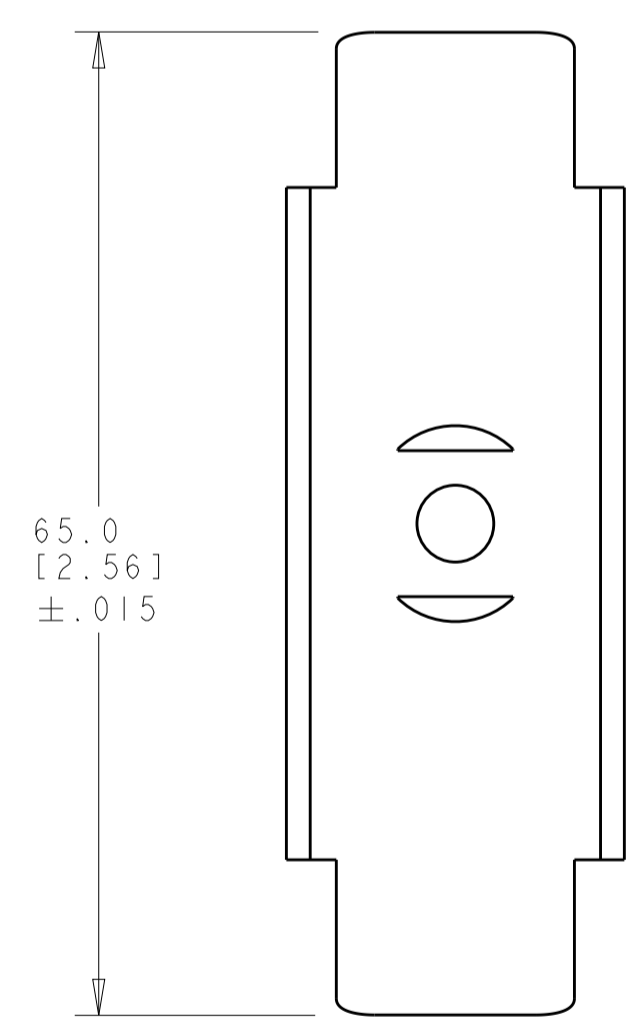
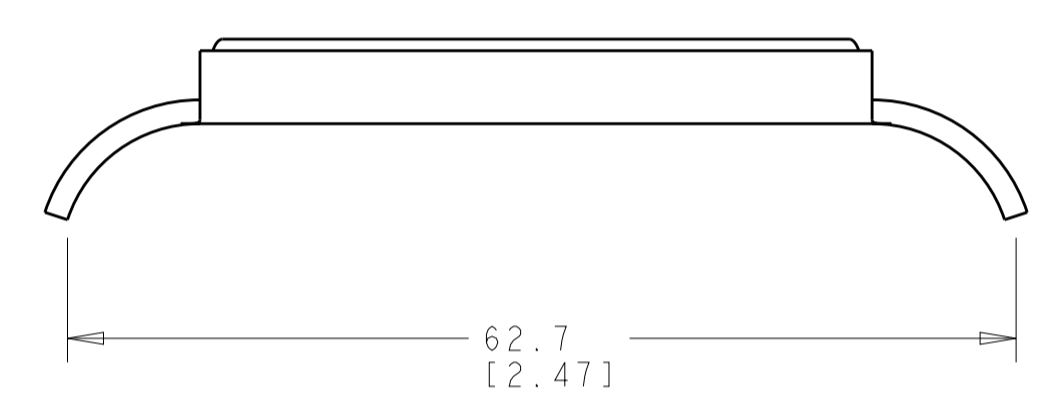
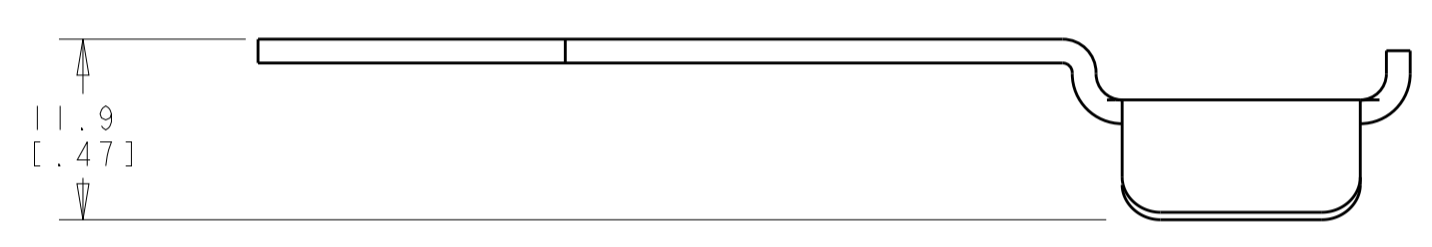
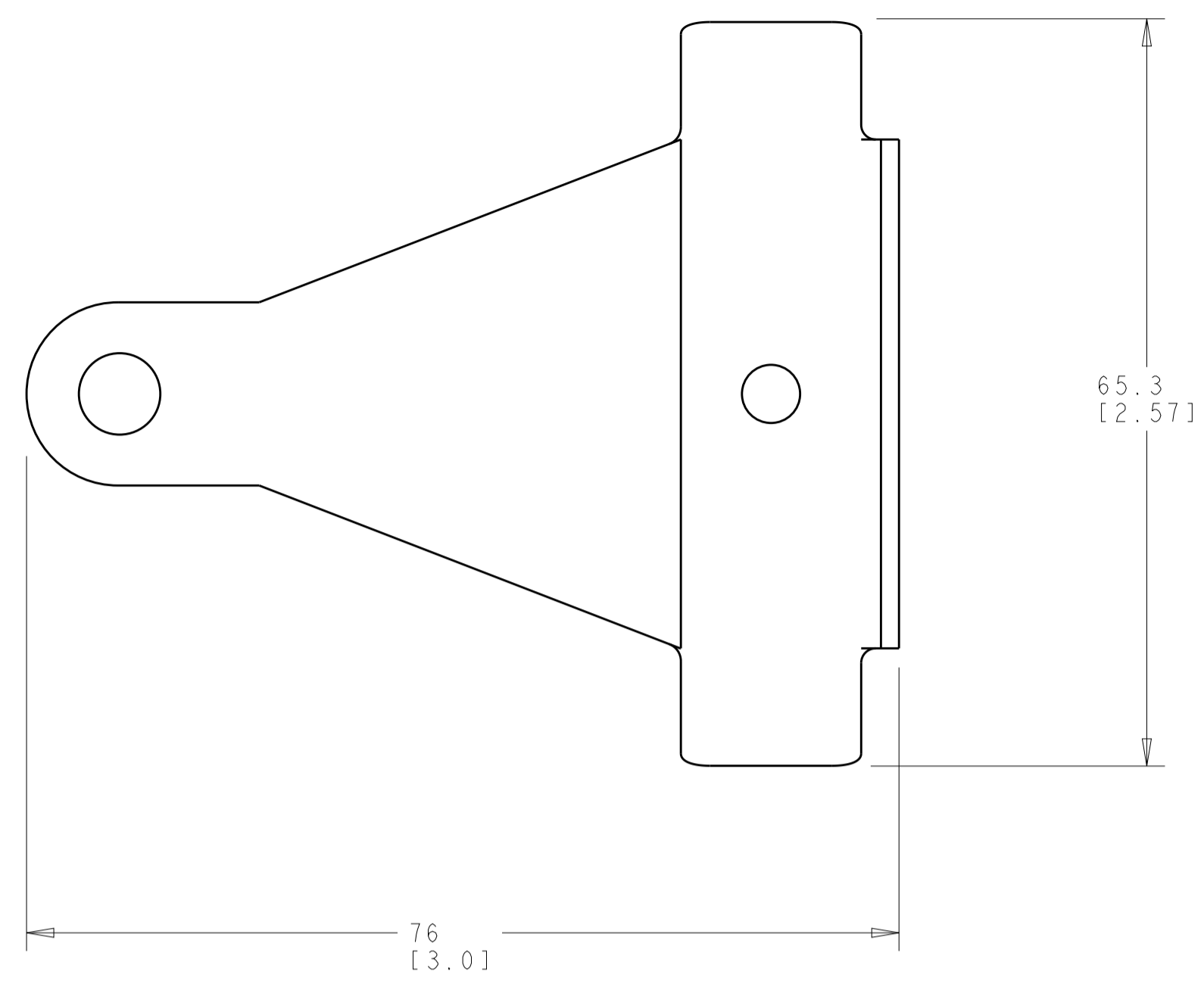
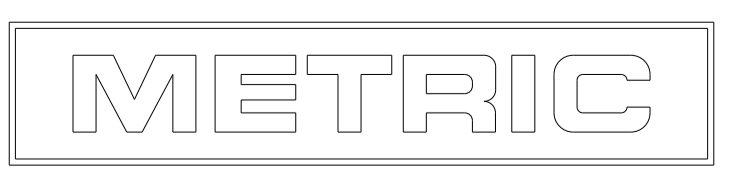


REVISIONS				
P.	LTN	DESCRIPTION	DATE	OWN APVD
A		INITIAL RELEASE	26FEB2016	RS SZ



1. A HARDWARE KIT COMPRISED OF SCREWS, LOCK WASHERS, AND NUTS IS INCLUDED WITH THE CLAMP KIT.
2. CLAMP MATERIAL IS 16 GA. (.062) THICK COLD ROLLED STEEL, BRIGHT ZINC PLATED.

647688-1
PART NUMBER



THIS DRAWING IS A CONTROLLED DOCUMENT.		OWN R. WHITAKER 17OCT2003	APVD J. ELLIS 17OCT2003	NAME CABLE CLAMP KIT, AMP POWER SERIES 350
DIMENSIONS: IN		TOLERANCES UNLESS OTHERWISE SPECIFIED: 0 PLC ± 1 PLC ± 2 PLC ±.005 (I.020) 3 PLC ± 4 PLC ± ANGLES ±		PRODUCT SPEC APPLICATION SPEC
MATERIAL		FINISH		RESTRICTED TO
CUSTOMER DRAWING		SIZE A1	CAGE CODE C=647688	DRAWING NO 647688-1
SCALE 1:1		SHEET 1 OF 1		REV A