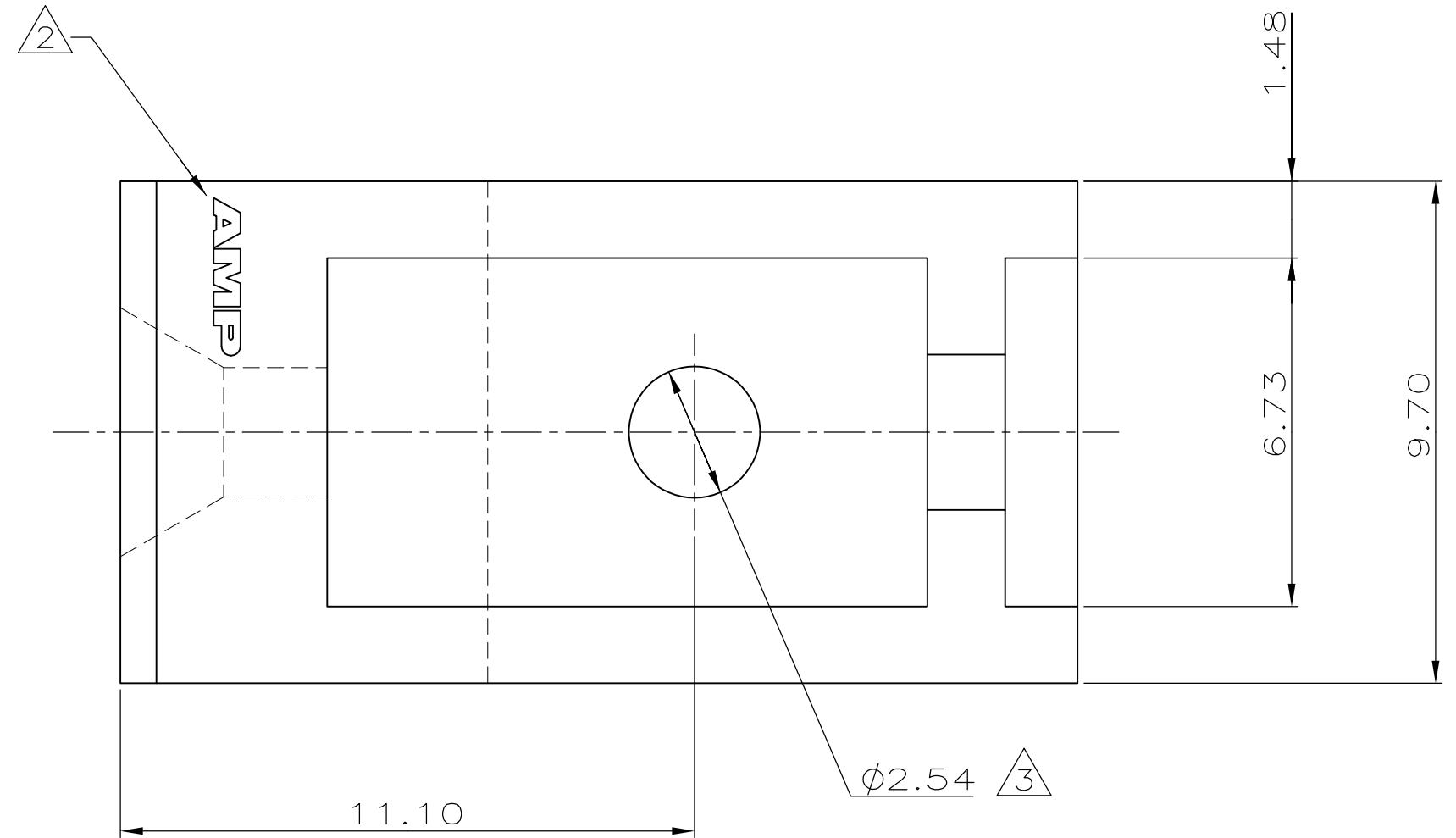
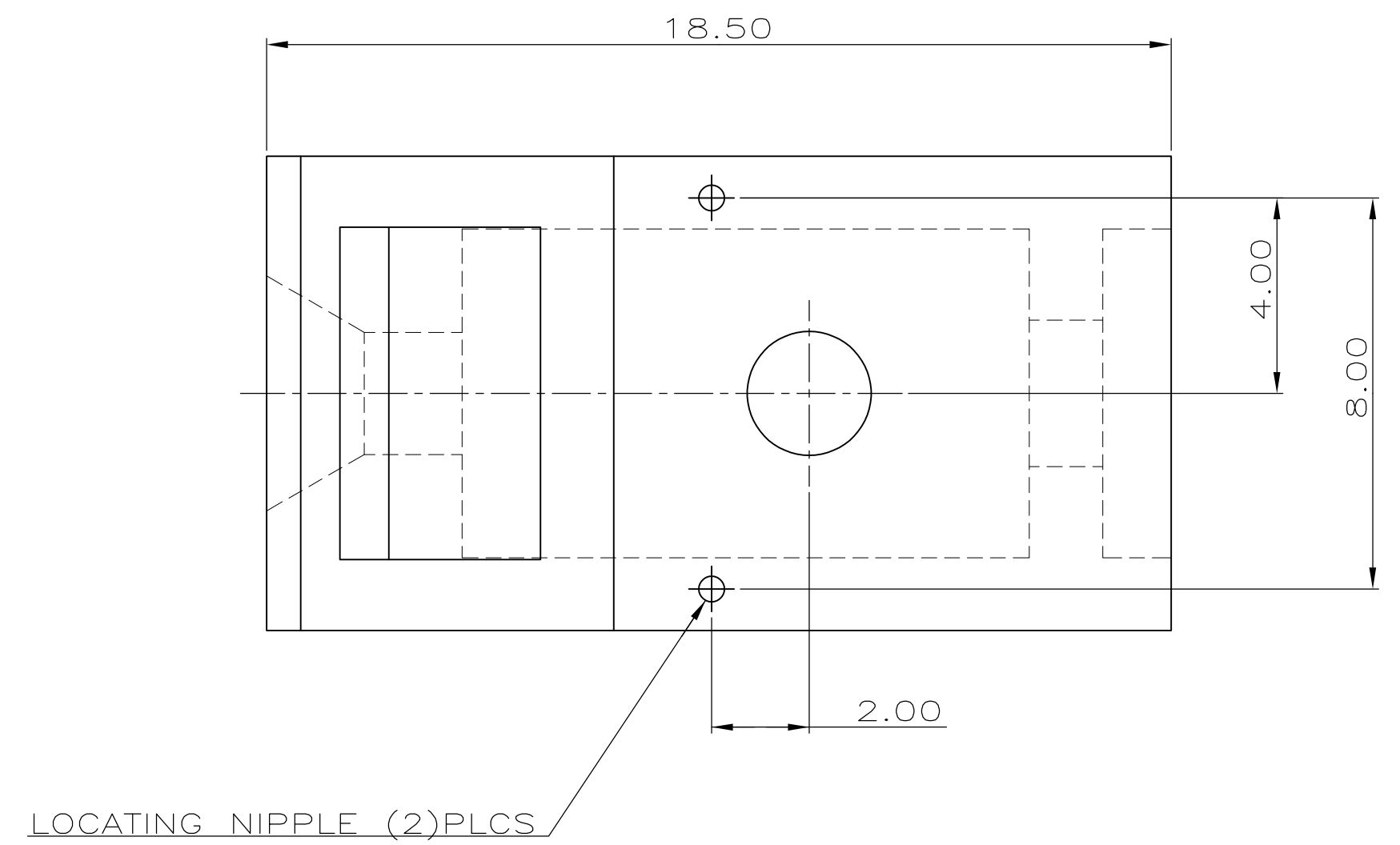
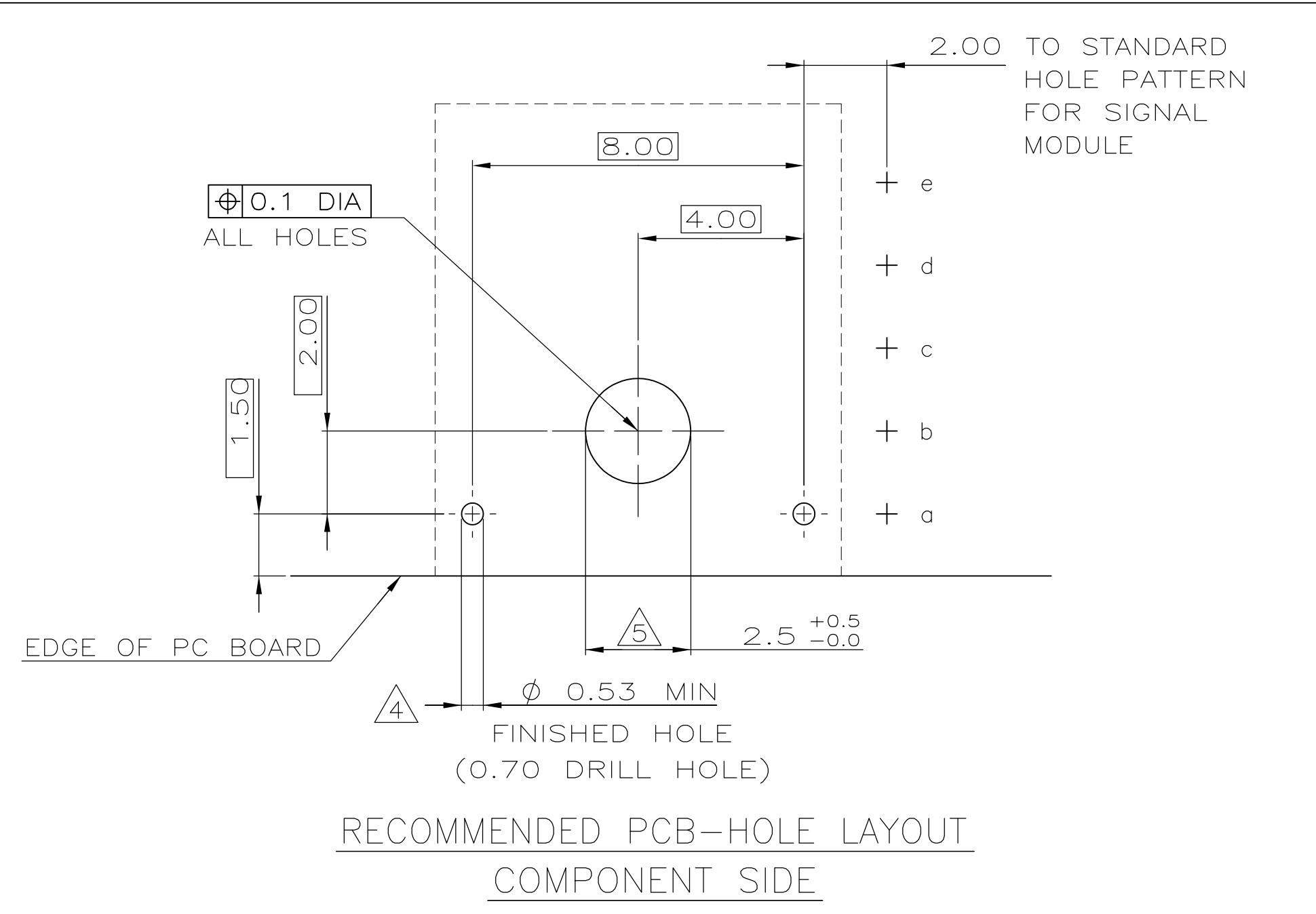
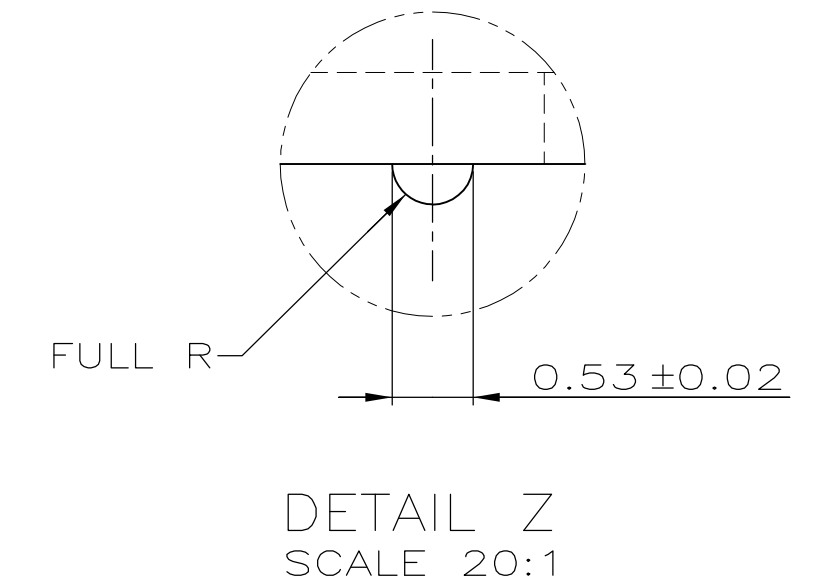
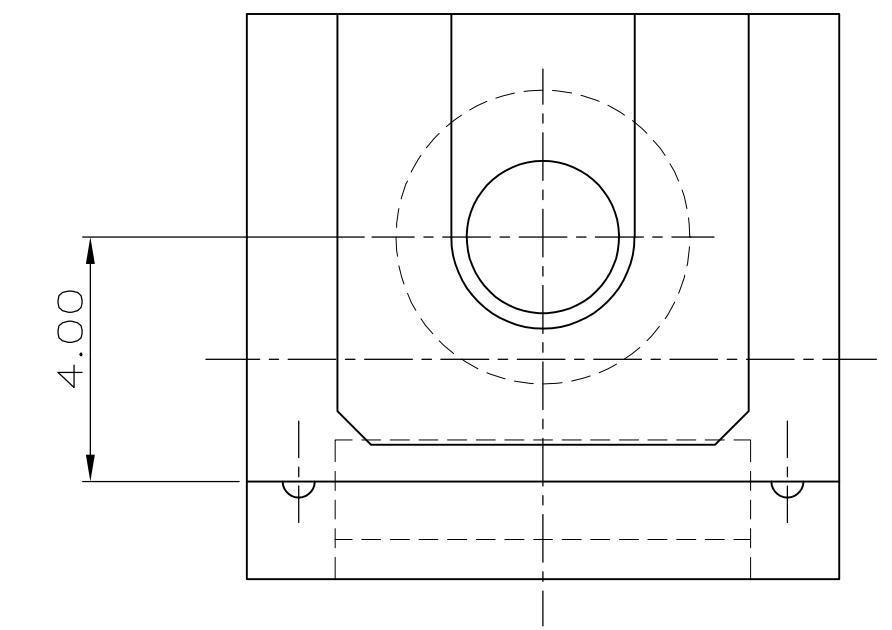
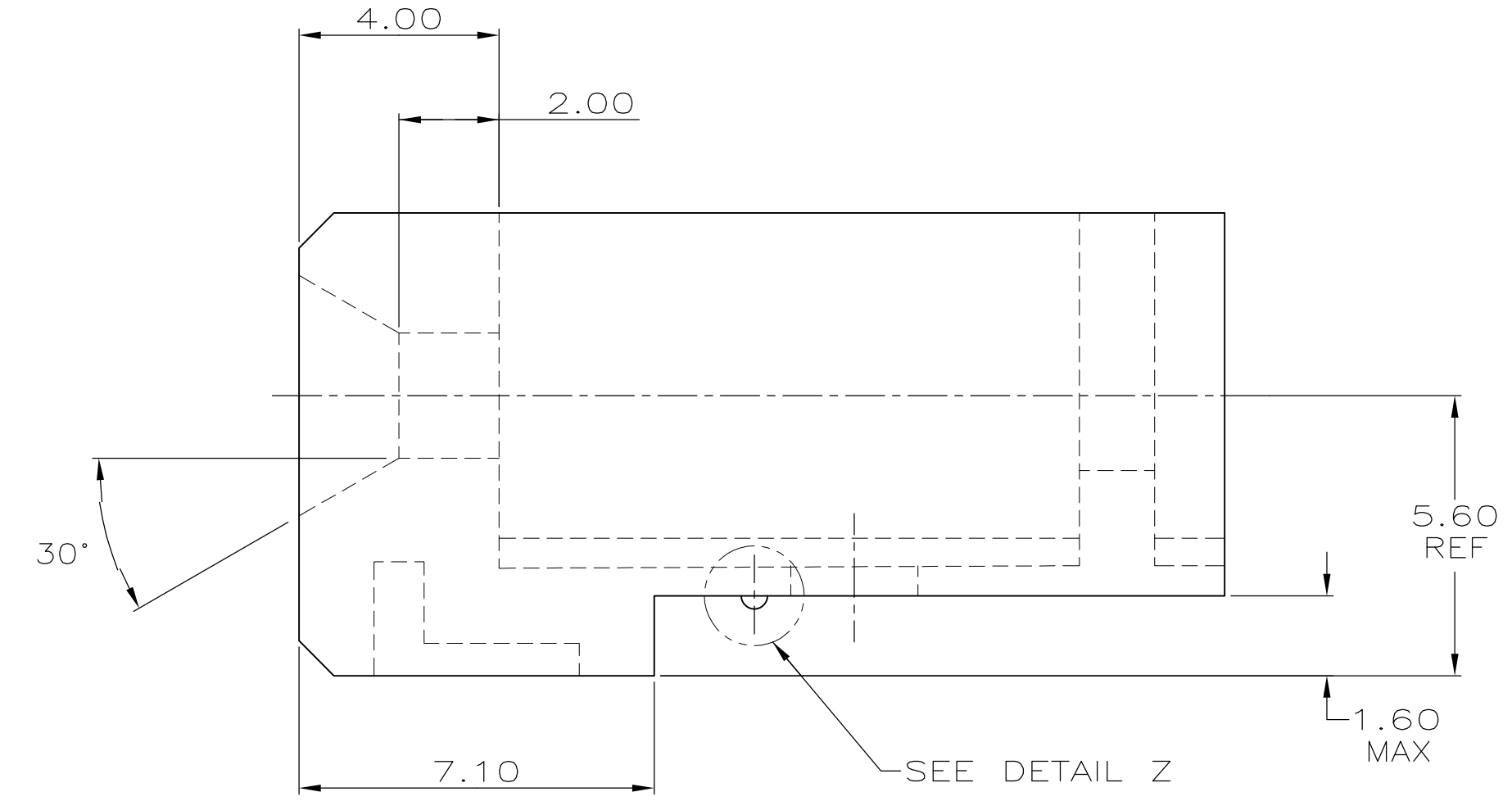
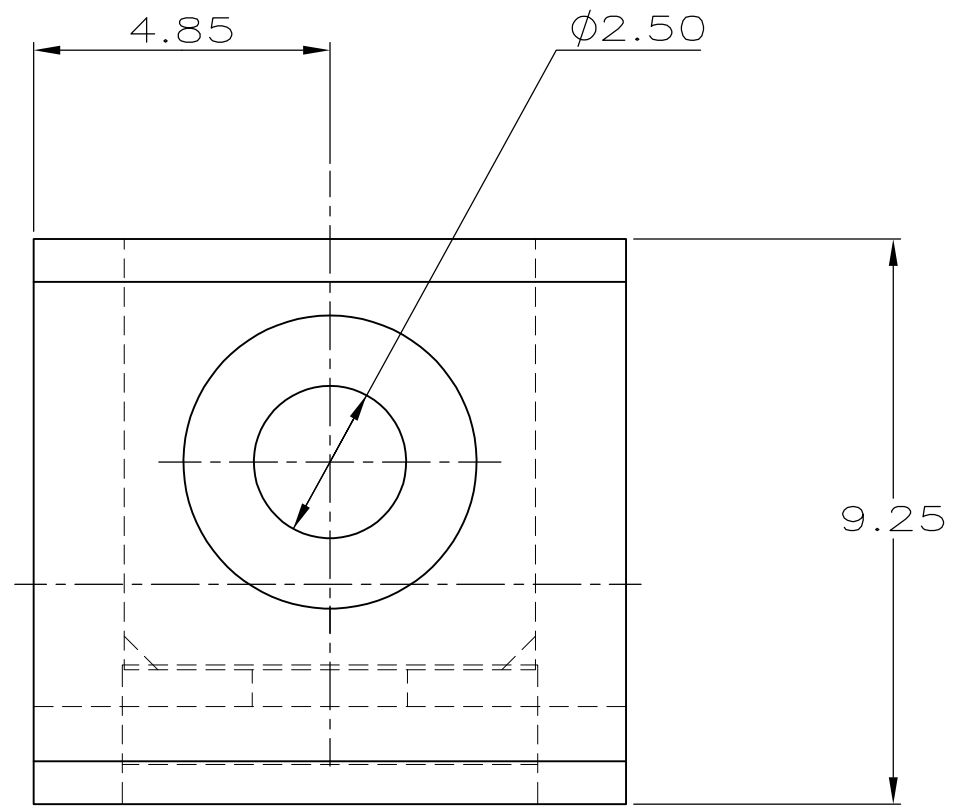


THIS DRAWING IS UNPUBLISHED. RELEASED FOR PUBLICATION .19
 © COPYRIGHT 19 BY AMP INCORPORATED. ALL RIGHTS RESERVED.

LOC		DIST		REVISIONS			
P	LTR	DESCRIPTION	DATE	DWN	APVD		
0		RELEASED PER EC 0512-0175-02	07 MAY 02	BC	GS		
A		ECR-10-018652	10SEP10	SW	MQW		



- △ MATERIAL: GRAY GLASS FILLED POLYESTER.
- △ AMP TRADEMARK RECESSED.
- △ THIS PART HAS A THRU HOLE TO ACCEPT GUIDE PIN RECEPTACLE, AMP PART NO. 533065-1.
- △ LOCATING HOLES NEED NOT BE PLATED THRU HOLES, BUT LOCATING NIPPLE IS DESIGNED TO FIT MIN PLATED THRU HOLE DIA 0.55mm FINISHED.
- △ PLATED THRU HOLE FOR POWER APPLICATION ONLY.



646969-1
PART NUMBER

THIS DRAWING IS A CONTROLLED DOCUMENT.		DWN B.CARRO	19 OCT 01	AMP AMP Incorporated Harrisburg, PA 17105-3608
DIMENSIONS: mm		CHK G.SKIPPER	19 OCT 01	
TOLERANCES UNLESS OTHERWISE SPECIFIED:		APVD G.SKIPPER	19 OCT 01	NAME POWER/GUIDE RECEPTACLE HOUSING, MOLDED, 2mm HM
Ø	±0.1	PRODUCT SPEC		SIZE
Ø	±0.1	APPLICATION SPEC		CAGE CODE
Ø	±0.1	WEIGHT		DRAWING NO
Ø	±0.1	RESTRICTED TO		A100779
Ø	±0.1	CUSTOMER DRAWING		SCALE 8:1
Ø	±0.1	SHEET 1 OF 1		REV A