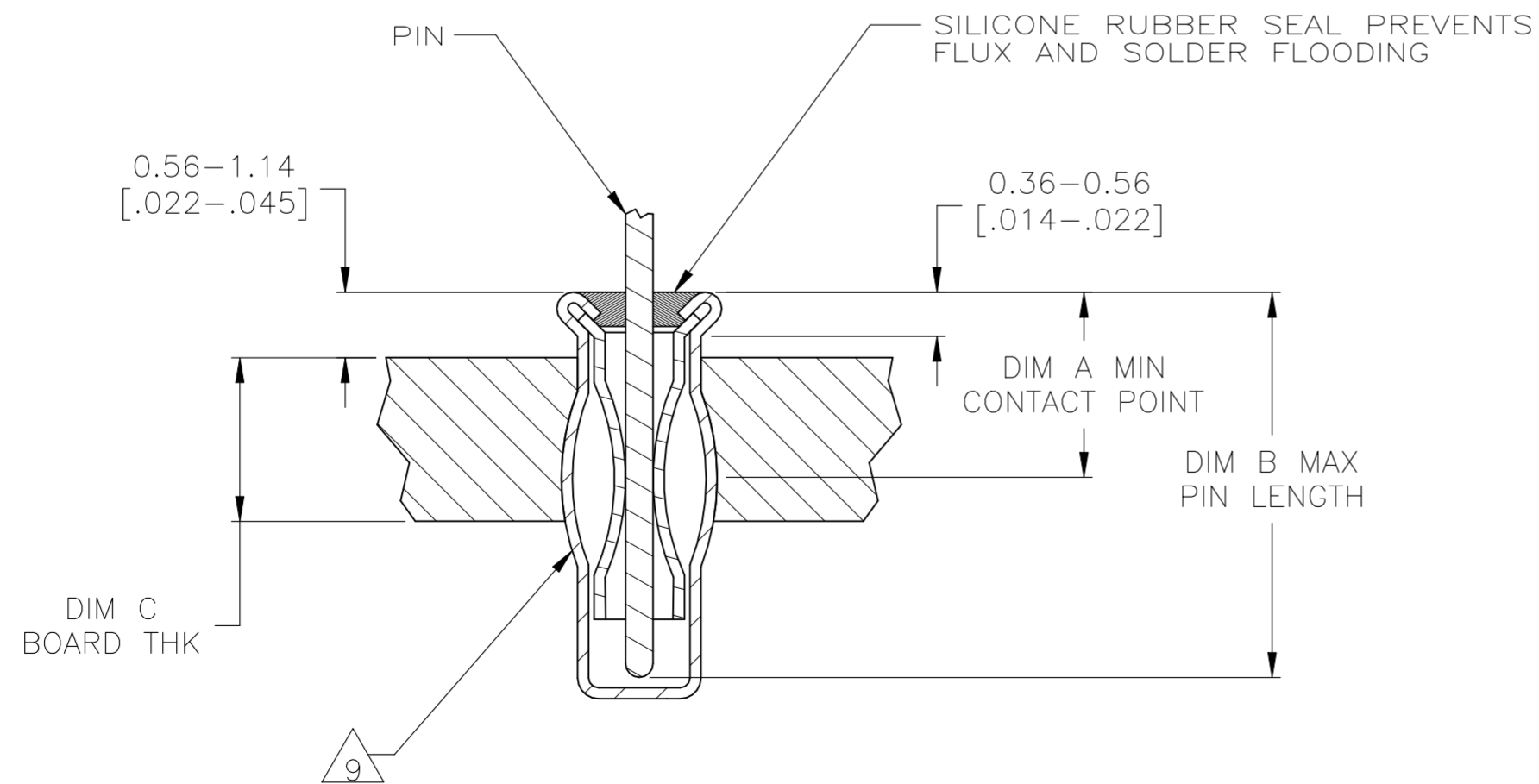
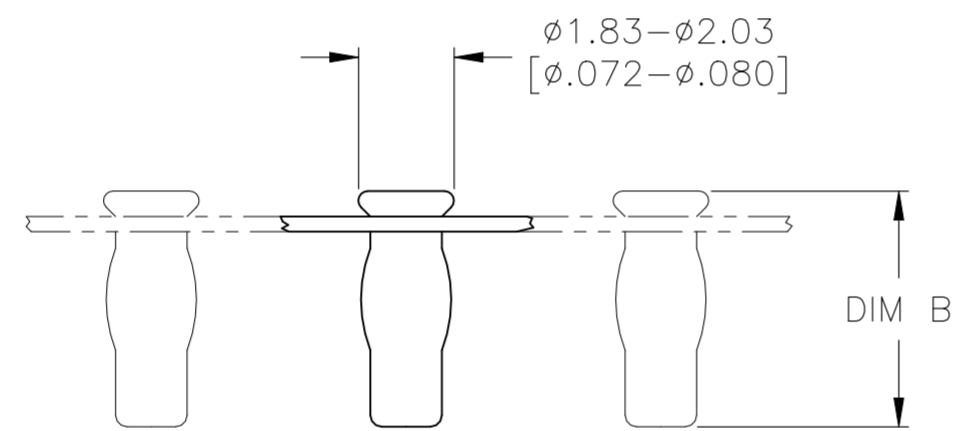
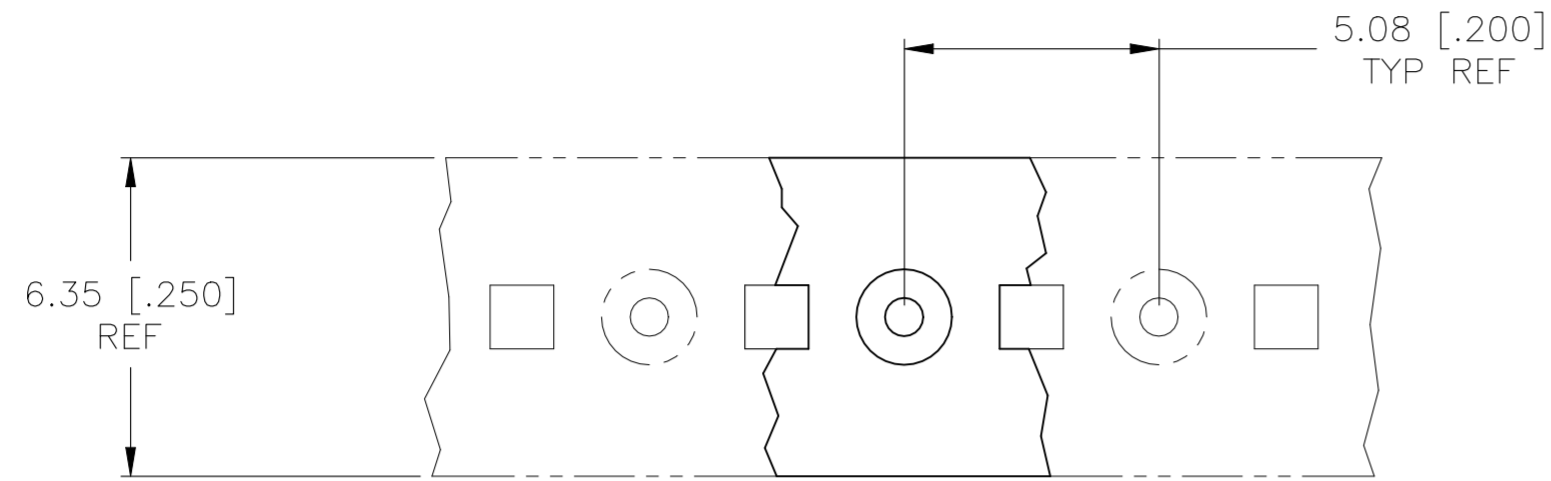


REVISIONS					
P	LTR	DESCRIPTION	DATE	DWN	APVD
J4		REVISED AS PER ECR-24-199424	07FEB2024	NR	JK



1. MATERIAL:
EYELET - COPPER (QQ-C-576)
SPRING - BERYLLIUM COPPER (QQ-C-533)
SEALANT - SILICONE RUBBER
2. TIN OR TIN-LEAD PLATE (MIL-T-10727) 0.00381 [.000150] MIN THK MINIMUM THICKNESS.
3. GOLD PL(MIL-G-45204) 0.00076 [.000030] MIN THK ON CONTACT AREA.
4. AMP APPLICATION SPEC 114-26000
5. PACKAGED 10,000 PER REEL.
6. TO INSURE 1/2 OZ MIN RETENTION DO NOT EXCEED 0.05 [.002] DIFFERENCE IN PIN DIA WHEN CHANGING TO A SMALLER DIA PIN
7. AMP APPLICATION SPEC 114-26004
8. PACKAGED 50,000 PER REEL.
9. PRODUCT IS OVALIZED FOR RETENTION IN THE P.C. BOARD. THE RECOMMENDED HOLE DIAMETER IS $\phi 1.57$ [$\phi 0.062$] MINIMUM, +0.08 [.003] MAX. PRIOR TO SOLDERING.
10. TIN PLATE (MIL-T-10727) 0.00254 [.000100] MINIMUM THICKNESS.
11. OPEN BOTTOM

11	OBsolete	0.79-3.18 [.031-.125]	6.53 [.257]	3.56-6.32 [.140-.249]	$\phi 0.66 - \phi 0.84$ [$\phi 0.026 - \phi 0.033$]	TIN 2	TIN 2	5	645994-8	4
	OBsolete	0.79-2.36 [.031-.093]	3.51 [.138]	2.29-3.18 [.090-.125]	$\phi 0.66 - \phi 0.74$ [$\phi 0.026 - \phi 0.033$]	TIN 2	TIN 10	8	645994-7	7
	OBsolete	0.79-3.18 [.031-.125]	6.53 [.257]	3.56-6.32 [.140-.249]	$\phi 0.66 - \phi 0.84$ [$\phi 0.026 - \phi 0.033$]	GOLD 3	TIN 2	5	645994-6	4
	OBsolete	0.79-3.18 [.031-.125]	6.53 [.257]	3.56-6.32 [.140-.249]	$\phi 0.66 - \phi 0.84$ [$\phi 0.026 - \phi 0.033$]	GOLD 3	TIN 2	5	645994-1	4
		DIM C	DIM B	LENGTH	DIM A DIA	6	SPRINGEYELET			PART NO
							FINISH			

THIS DRAWING IS A CONTROLLED DOCUMENT.		DWN	8-29-85	STE TE Connectivity	
		CHK	8-29-85		
DIMENSIONS: mm [INCHES]		TOLERANCES UNLESS OTHERWISE SPECIFIED:		NAME	
0 PLC ± -		1 PLC ± -		G.D. MILLER	
2 PLC ± -		3 PLC ± 0.20[.008]		PRODUCT SPEC	
3 PLC ± -		4 PLC ± -		108-14008	
ANGLES ± -		FINISH		APPLICATION SPEC	
MATERIAL 1		SEE TABLE		WEIGHT 0.000000	
				CUSTOMER DRAWING	
				SCALE NONE	
				SHEET 1 OF 1	
				REV J4	