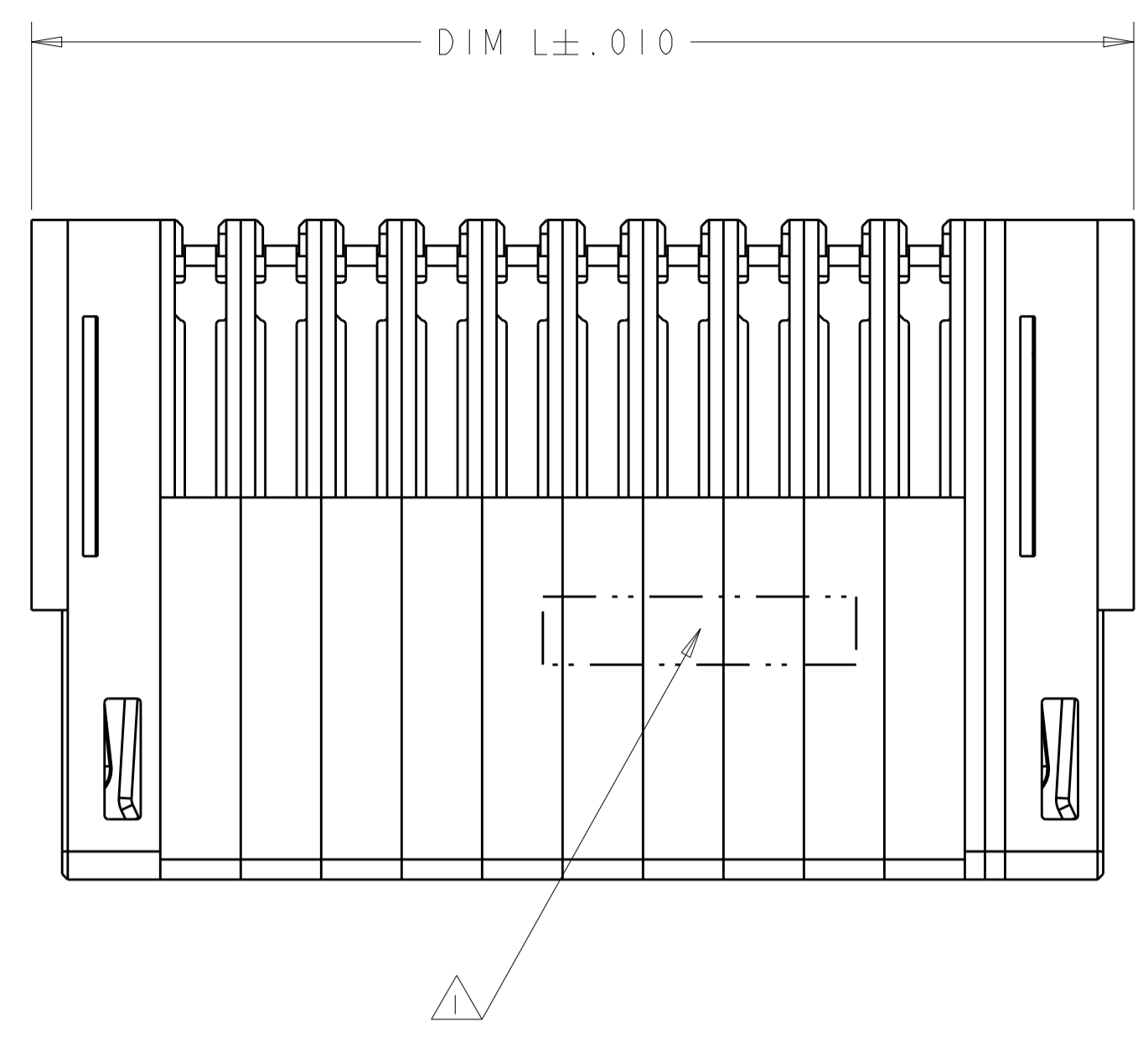
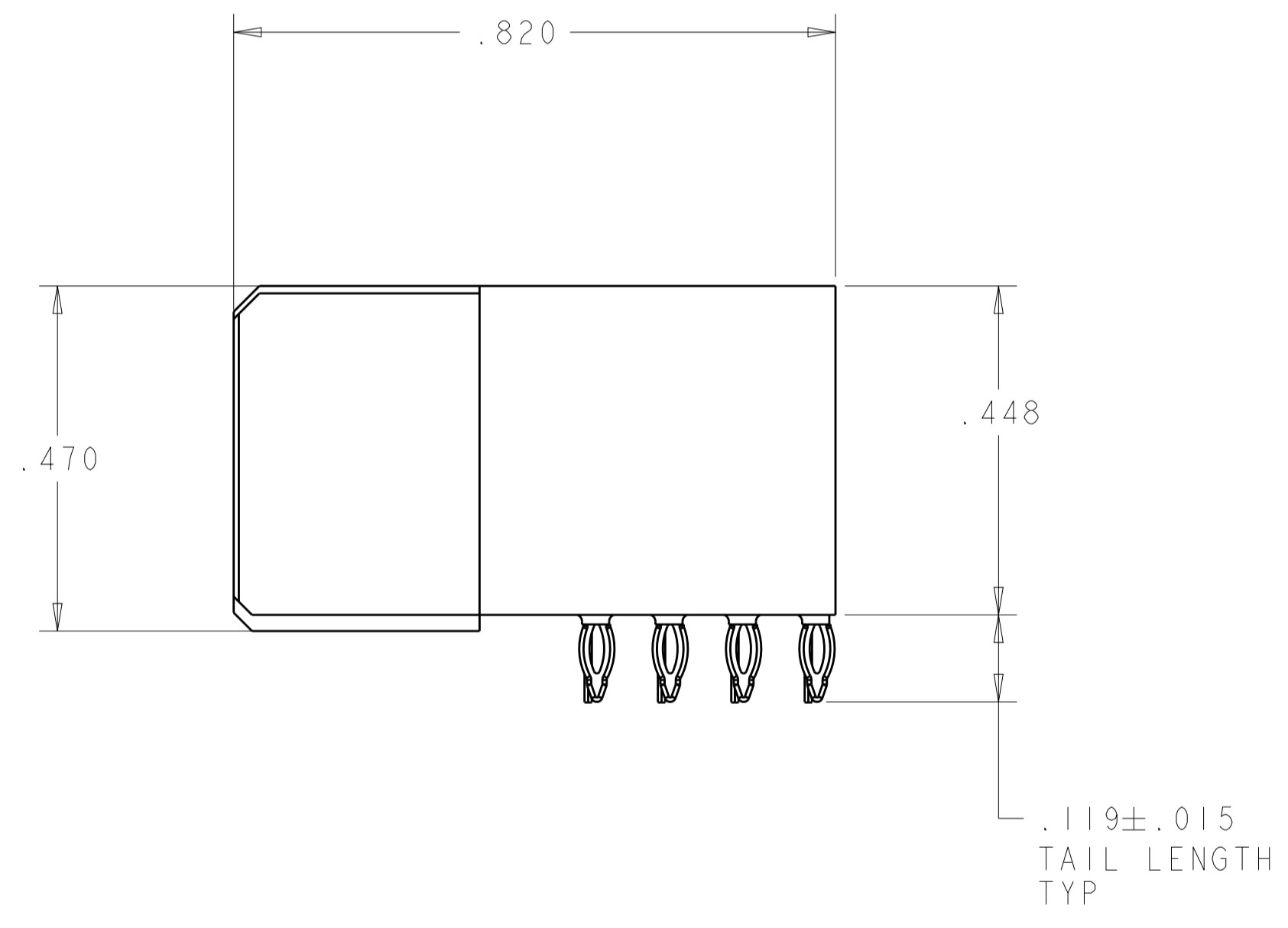
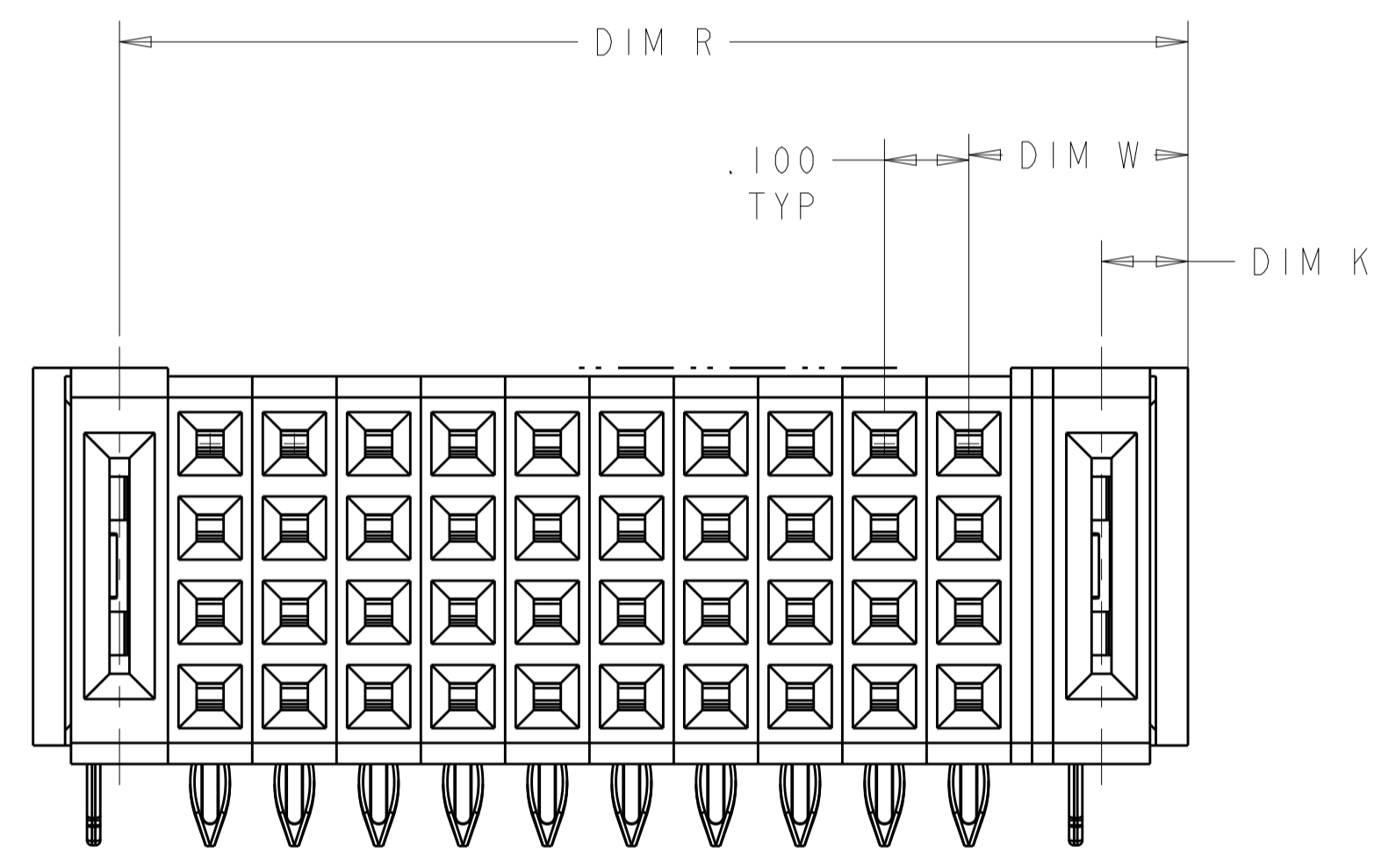


LOC		DIST		REVISIONS			
ES	00	P	LTN	DESCRIPTION	DATE	DWN	APVD
		A		REV PER ECR-12-016087	07SEP2012	CZ	SY



- 1 "AMP", PART NUMBER, AND DATE CODE TO BE MARKED IN AREA SHOWN PARTS UNDER 2.000 MAY BE MARKED ON BOTH SIDES.
- 2 MATERIAL: HOUSING - GLASS FILLED HIGH TEMP THERMO PLASTIC, UV94 V-O
 SIGNAL CONTACT - COPPER ALLOY
 POWER CONTACT - HIGH CONDUCTIVITY COPPER ALLOY
- 3 CONTACT PLATING: NOBLE METAL PLATING ON CONTACT FUNCTIONAL AREA OF POWER AND SIGNAL CONTACTS
- 4 MECHANICAL CONNECTOR KEEP OUT ZONE
- 5 DATUM AND BASIC DIMENSIONS ESTABLISHED BY CUSTOMER
- 6 PCB - ALL HOLE DIAMETERS ARE FINISHED HOLE SIZES
- 7 PCB - .0453 ± .0010 DRILLED HOLE PLATED WITH .0003 MIN Sn OVER .001-.003 PLATING TO ACHIEVE A .040 HOLE

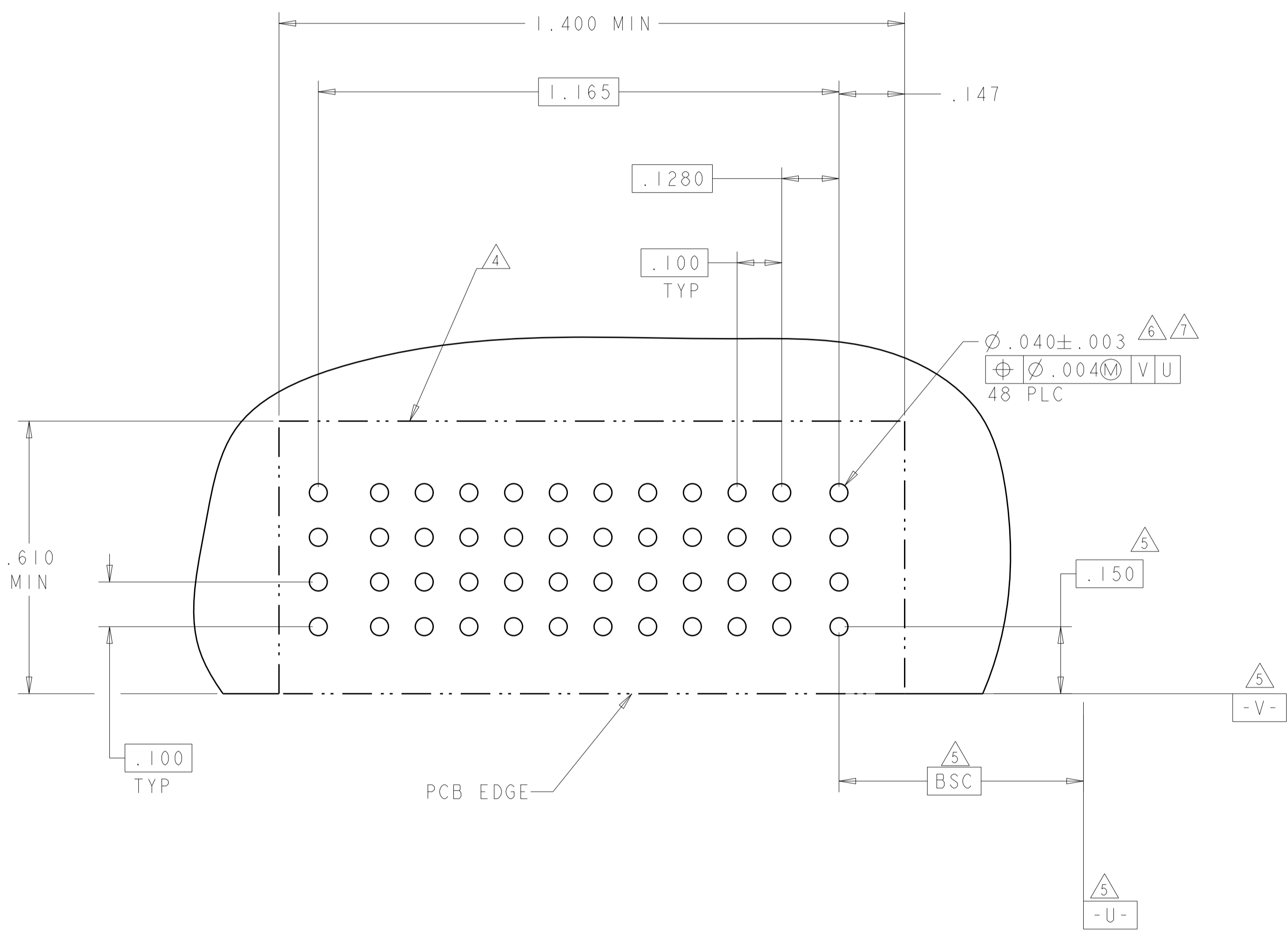


1.2675	.260	.1025	1.370	ILP + 40S + ILP	6450889-4
DIM R	DIM W	DIM K	DIM L	DESCRIPTION	PART NUMBER
THIS DRAWING IS A CONTROLLED DOCUMENT.		DWN: C.ZHOU 07SEP2012 CHK: S.ZHAO 07SEP2012		TE Connectivity RIGHT ANGLE RECEPTACLE WITH LP CONTACTS AND GUIDELESS, PRESS FIT MULTI-BEAM XLE	
DIMENSIONS: INCHES		TOLERANCES UNLESS OTHERWISE SPECIFIED:			
0 PLC ±. 1 PLC ±.01 2 PLC ±.005 3 PLC ±.0020 4 PLC ±.0020 ANGLES ±.7°		PRODUCT SPEC: 108-2292 APPLICATION SPEC: 114-13038 WEIGHT: -		NAME: R SIZE: A1 CAGE CODE: 00779 DRAWING NO: C=6450889 RESTRICTED TO: -	
MATERIAL: 2		FINISH: 3		CUSTOMER DRAWING	
				SCALE: 3:1	SHEET 1 OF 2

LOC		DIST		REVISIONS			
ES	00	P	LTN	DESCRIPTION	DATE	DWN	APVD
		-		SEE SHEET 1	-	-	-

PART NUMBER	ROWS	POWER	SIGNAL										POWER
		LP2	10	9	8	7	6	5	4	3	2	1	LP1
6450889-4	D	LS	D	D	D	D	D	D	D	D	D	D	D
	C		C	C	C	C	C	C	C	C	C	C	
	B		B	B	B	B	B	B	B	B	B	B	
	A		A	A	A	A	A	A	A	A	A	A	

ILP + 40S + ILP



SIGNAL CONTACT ROW D	D
SIGNAL CONTACT ROW C	C
SIGNAL CONTACT ROW B	B
SIGNAL CONTACT ROW A	A
STD LP CONTACT	LS
DESCRIPTION	CODE

THIS DRAWING IS A CONTROLLED DOCUMENT. DWN: C. ZHOU 07SEP2012, CHK: S. ZHAO 07SEP2012, APVD: S. ZHAO 07SEP2012

DIMENSIONS: INCHES. TOLERANCES UNLESS OTHERWISE SPECIFIED: 0 PLC ±.01, 1 PLC ±.01, 2 PLC ±.01, 3 PLC ±.005, 4 PLC ±.002, ANGLES ±.2°

MATERIAL: -. FINISH: -

PRODUCT SPEC: 108-2292, APPLICATION SPEC: 114-13038, WEIGHT: -

CUSTOMER DRAWING. NAME: RIGHT ANGLE RECEPTACLE WITH LP CONTACTS AND GUIDELESS, PRESS FIT MULTI-BEAM XLE. SIZE: A100779, CAGE CODE: 6450889, DRAWING NO: 6450889, RESTRICTED TO: -

SCALE: 3:1, SHEET: 2 OF 2, REV: A1

STE TE Connectivity