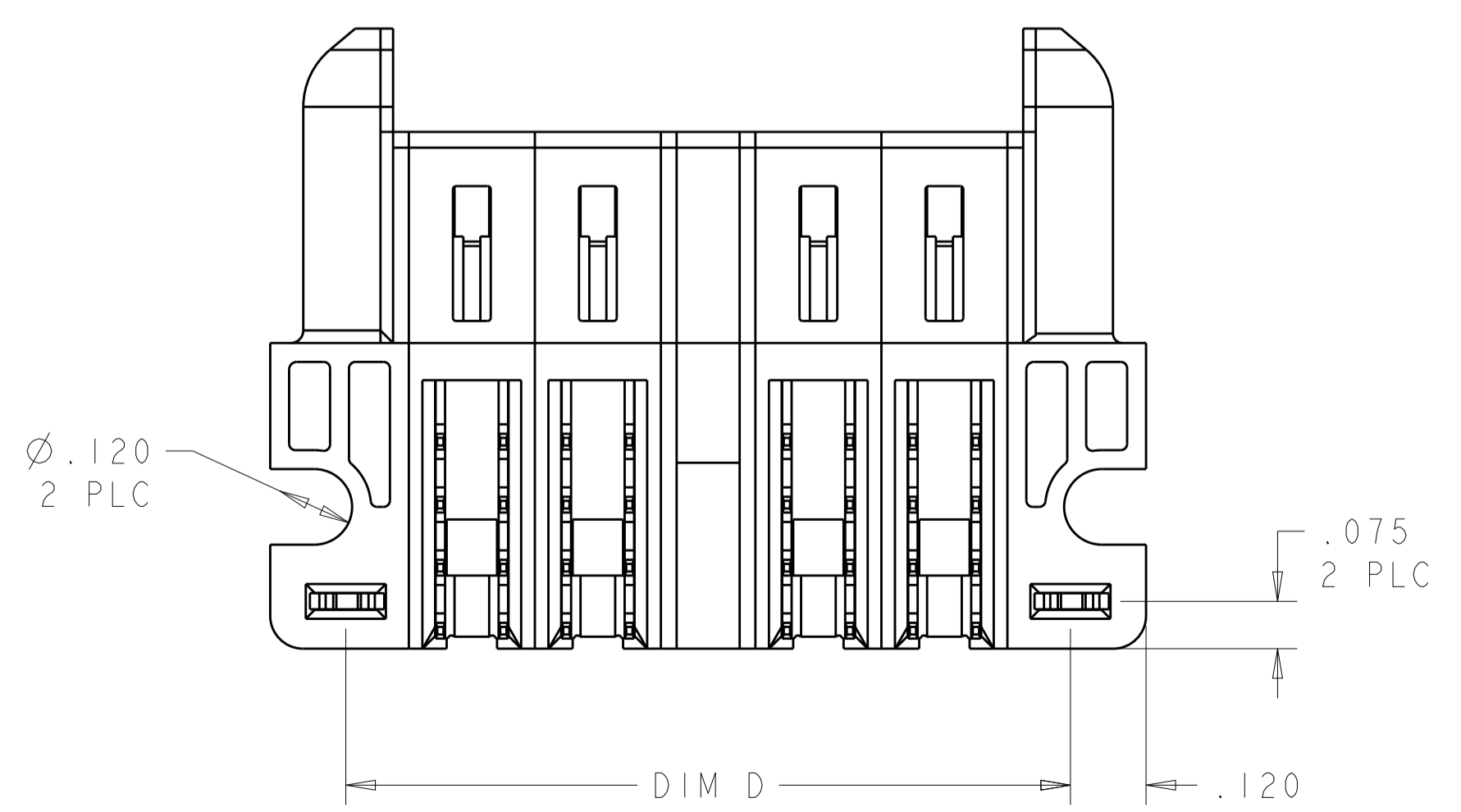
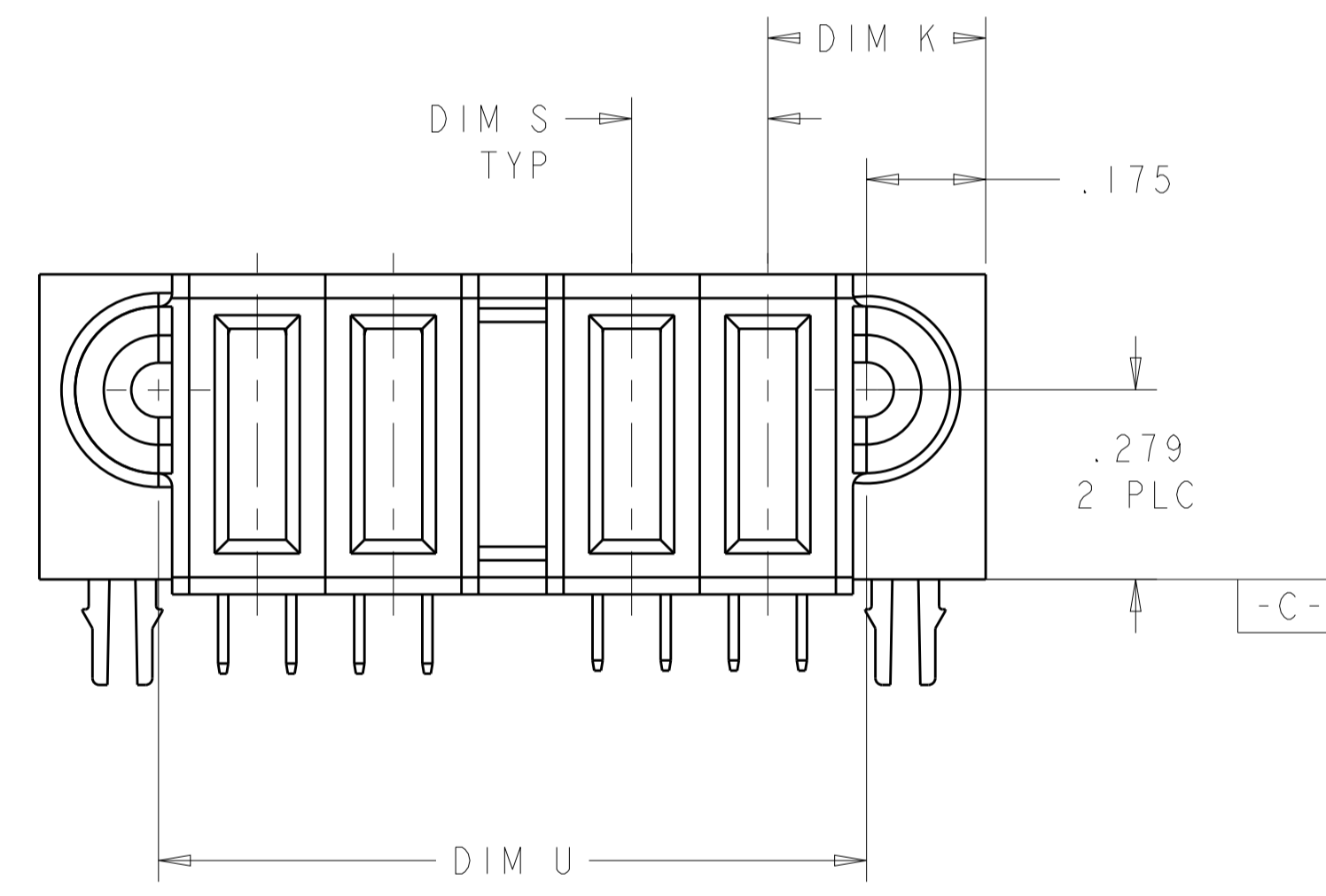
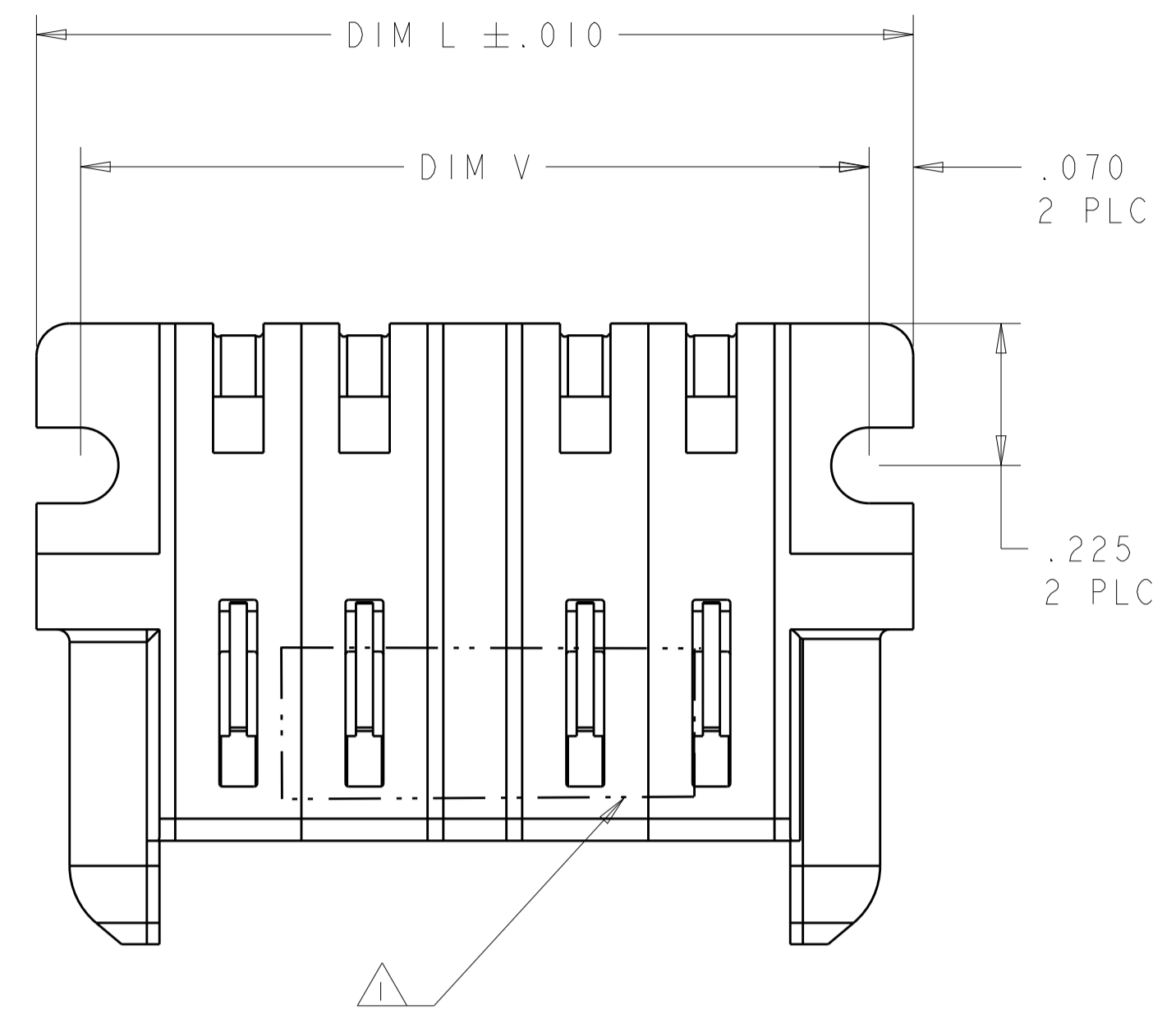
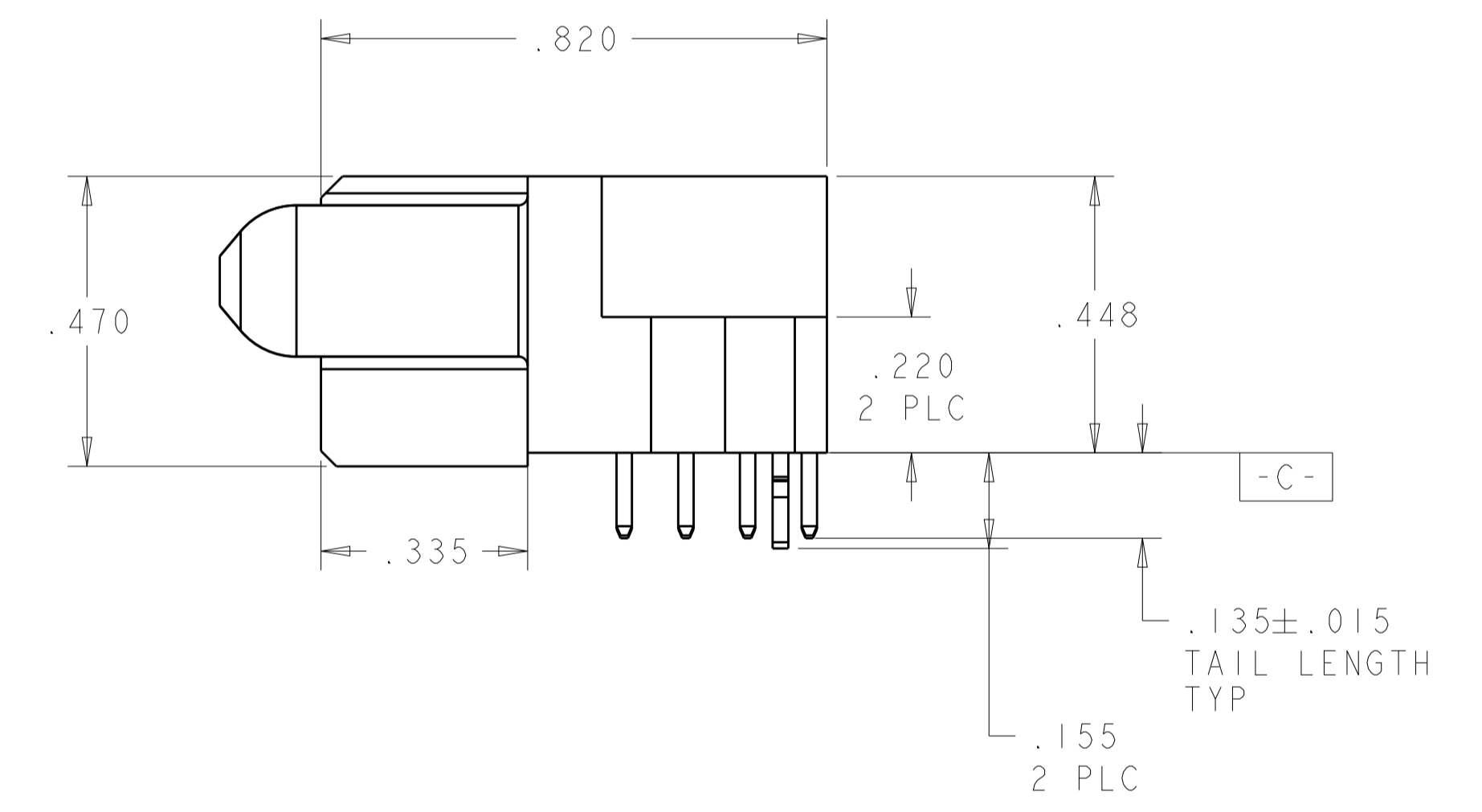


LOC		DIST		REVISIONS			
ES	00	REV	DATE	BY	CHK	APPV	
B		REV PER ECR-11-017732	26AUG2011	CZ	SY		
B1		ADDED THE DASH NUMBER -4	27JUL2012	ML	SZ		



- 1 "AMP", PART NUMBER, AND DATECODE TO BE MARKED IN AREA SHOWN. PARTS UNDER 2.00[50.8] LONG MAY BE MARKED ON BOTH SIDES.
- 2 MATERIAL: HOUSING - GLASS FILLED HIGH TEMP THERMO PLASTIC, BLACK, UL94 V-0
 SIGNAL CONTACT - COPPER ALLOY
 POWER CONTACT - HIGH CONDUCTIVITY COPPER ALLOY
- 3 CONTACT PLATING: NOBLE METAL PLATING ON CONTACT FUNCTIONAL AREA OF POWER AND SIGNAL CONTACTS.
- 4 MECHANICAL CONNECTOR KEEP OUT ZONE.
- 5 DATUM AND BASIC DIMENSIONS ESTABLISHED BY CUSTOMER.
- 6 PCB - HOLE DIAMETERS ARE FINISHED HOLE SIZE.
- 7 PCB - .0453±.0010[1.151±0.025] DRILLED HOLES PLATED WITH .0003[0.008] MIN Sn OVER .001[0.03] TO .003[0.08] Cu PLATING TO ACHIEVE A .040[1.02] DIA HOLE.
- 8 VARIABLE DIMENSIONS SHOWN ON PART VIEW



.250	1.440	1.300	1.090	1.200	.345	4P	6450873-4
8	1.460	1.320	1.110	-	.3275 8	6 LP	6450873-3
.230 8	5.960	5.820	5.610	-	.2775 8	24 LP	6450873-2
.200	1.390	1.250	1.040	1.150	.320	4HDP	6450873-1
DIM S	DIM L	DIM V	DIM U	DIM D	DIM K	DESCRIPTION	PART NUMBER

THIS DRAWING IS A CONTROLLED DOCUMENT.

DIMENSIONS: INCHES[MM]	TOLERANCES UNLESS OTHERWISE SPECIFIED:	DWN T. LEE 10MAR2010	CHK S. ZHAO 10MAR2010
0 PLC ±.01	1 PLC ±.01	APVD S. ZHAO	NAME S. ZHAO
2 PLC ±.01	3 PLC ±.005	PRODUCT SPEC 108-2292	APPLICATION SPEC
4 PLC ±.0020	ANGLES ±.020	SIZE 114-13251	RESTRICTED TO
FINISH	FINISH	WEIGHT	SCALE 4:1

MATERIAL: 2

FINISH: 3

CUSTOMER DRAWING

TE Connectivity

RIGHT ANGLE RECEPTACLE WITH LP SHORT END MODULAR, SOLDER MULTI-BEAM XLE

SIZE: A100779 C=6450873

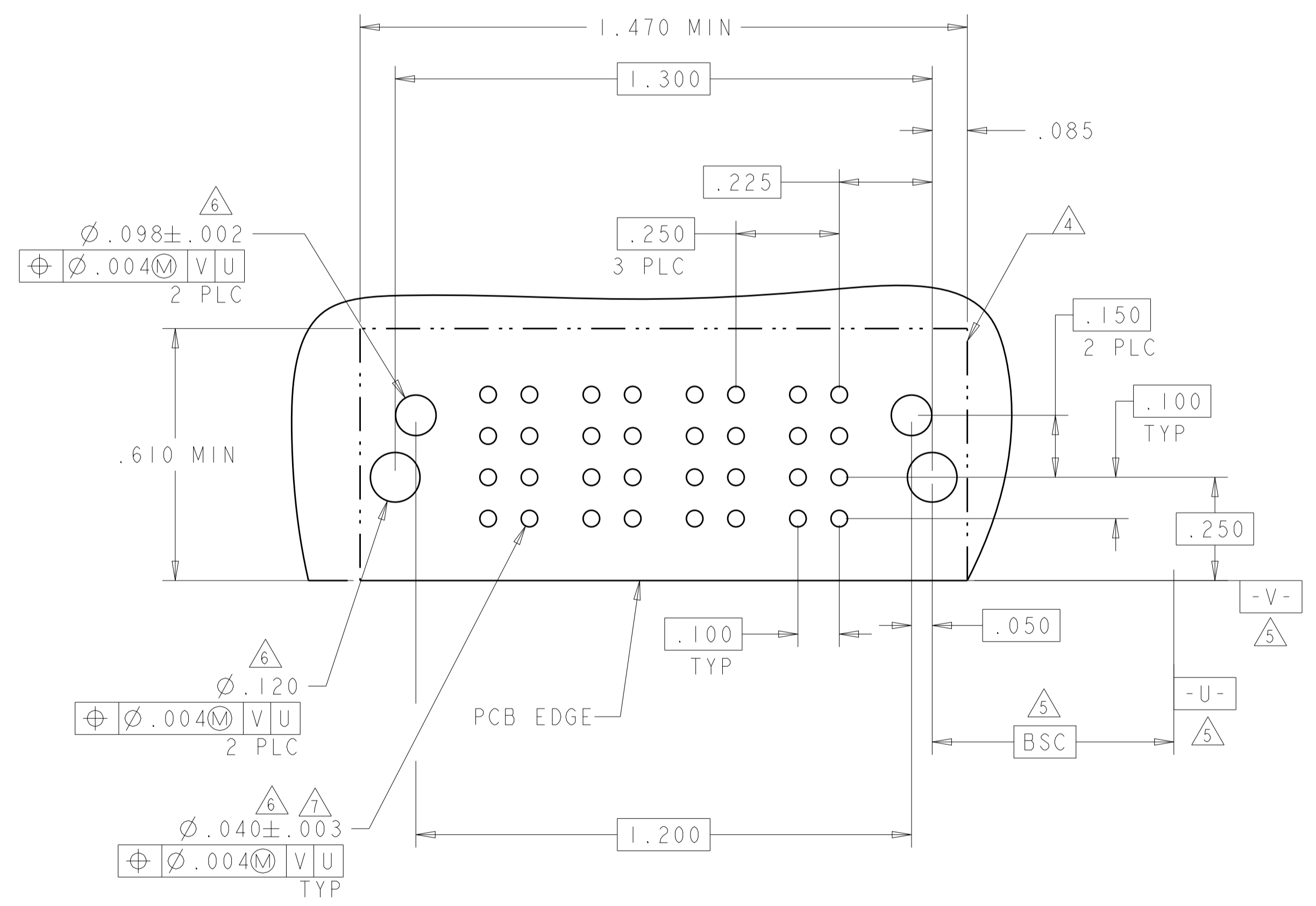
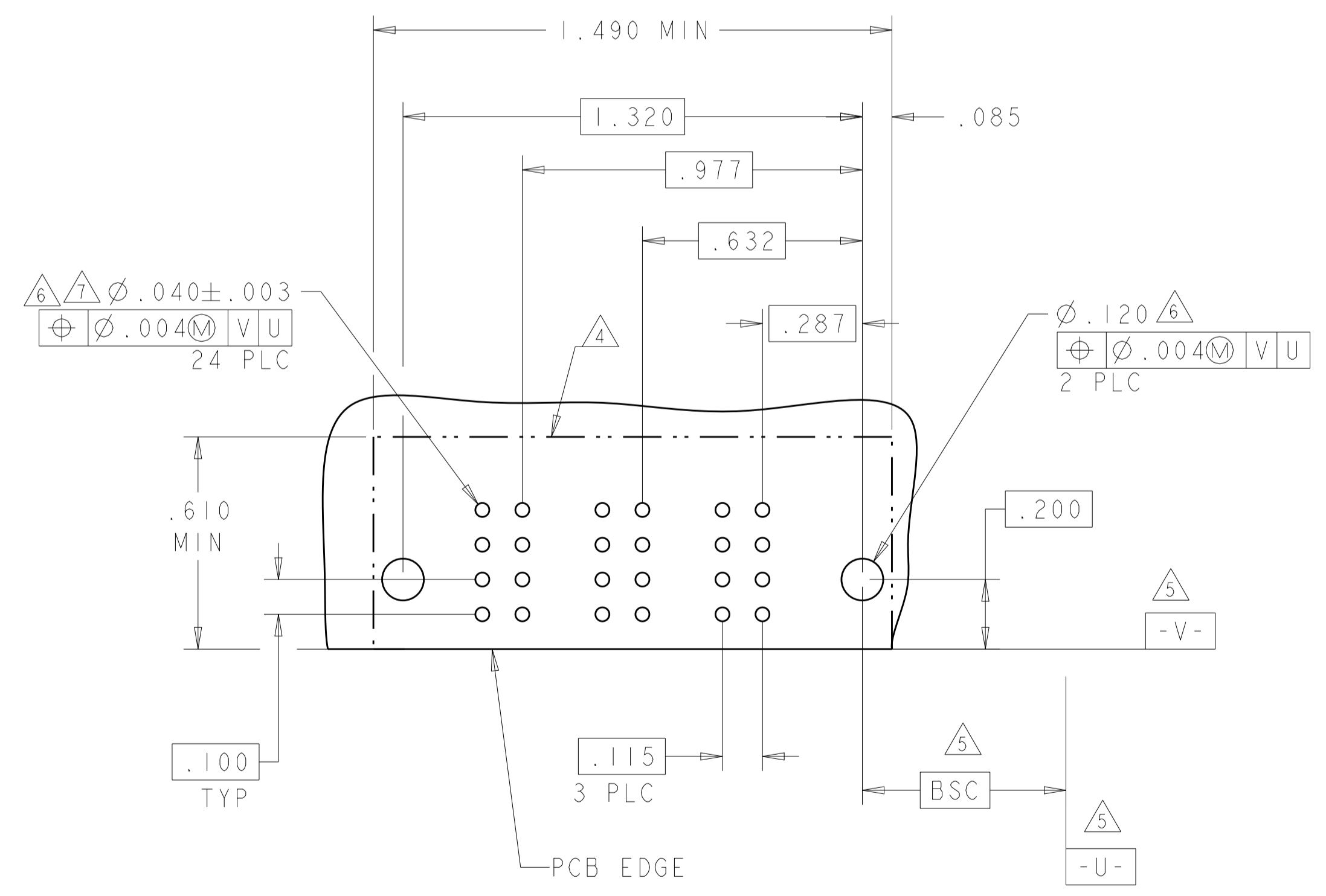
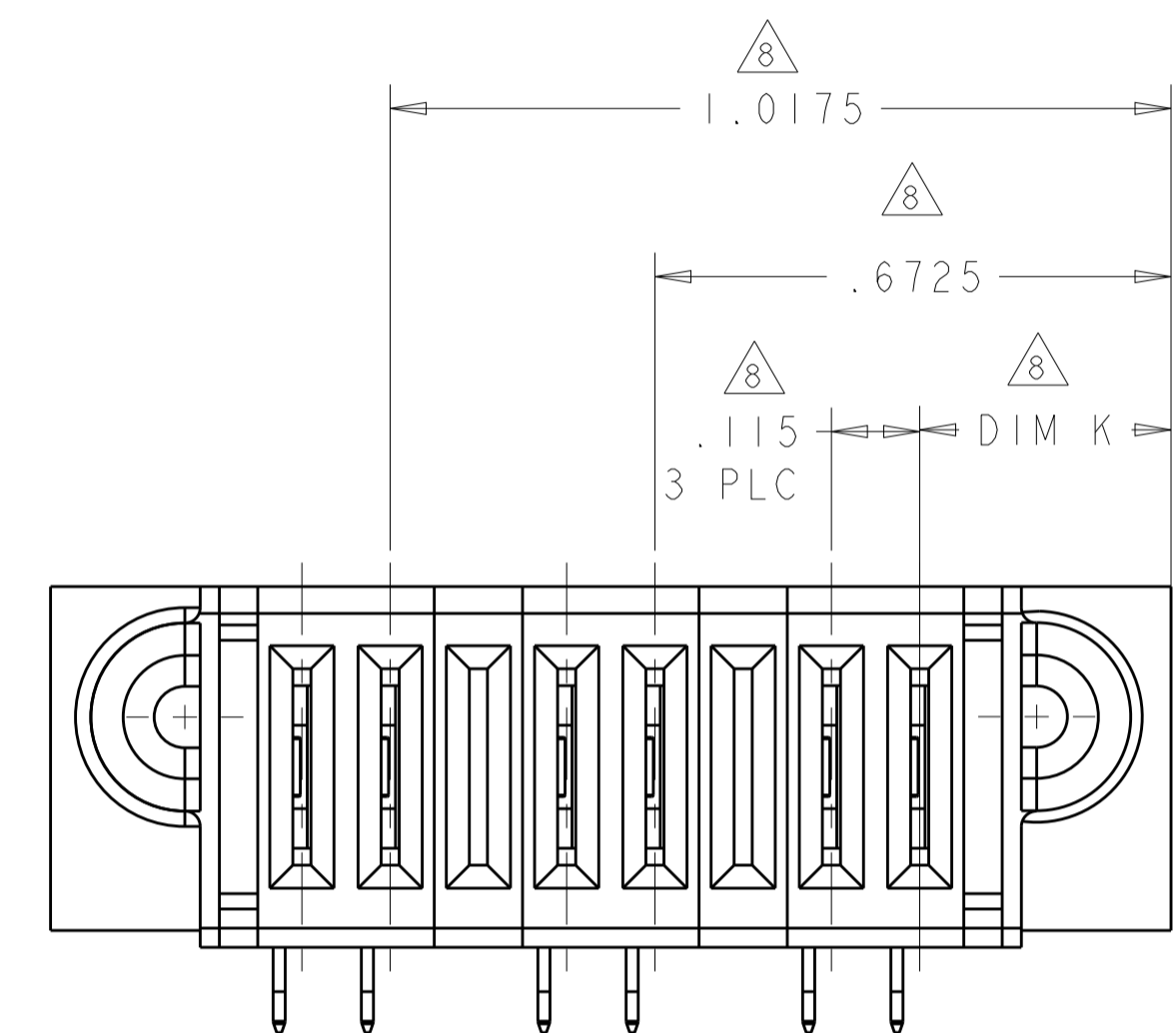
SHEET 1 OF 3 REV B2

LOC	DIST	REVISIONS					
		P	LTN	DESCRIPTION	DATE	DMN	APVD
ES	00	-	-	SEE SHEET 1	-	-	-

PART NUMBER	ROWS	LOW POWER					
		LP6	LP5	LP4	LP3	LP2	LP1
6450873-3	D						
	C	LM	LM	LM	LM	LM	LM
	B						
	A						
6 LP							

PART NUMBER	ROWS	POWER			
		P4	P3	P2	P1
6450873-4	D				
	C	RM	RM	RM	RM
	B				
	A	HD			HD
4P					

(B)



THIS DRAWING IS A CONTROLLED DOCUMENT. DIMENSIONS: INCHES(MM). TOLERANCES UNLESS OTHERWISE SPECIFIED: 0 PLC ±, 1 PLC ±.01, 2 PLC ±.01, 3 PLC ±.005, 4 PLC ±.0020, ANGLES ±7°.

DMN: L. LEE 10MAR2010
 CHK: S. ZHAO 10MAR2010
 APVD: S. ZHAO

NAME: RIGHT ANGLE RECEPTACLE WITH LP SHORT END MODULAR, SOLDER MULTI-BEAM XLE

PRODUCT SPEC: 108-2292
 APPLICATION SPEC: 114-13251
 WEIGHT: -

SIZE: A100779
 CAGE CODE: -
 DRAWING NO: 6450873

CUSTOMER DRAWING SCALE: 4:1 SHEET 3 OF 3 REV: B2

TE Connectivity