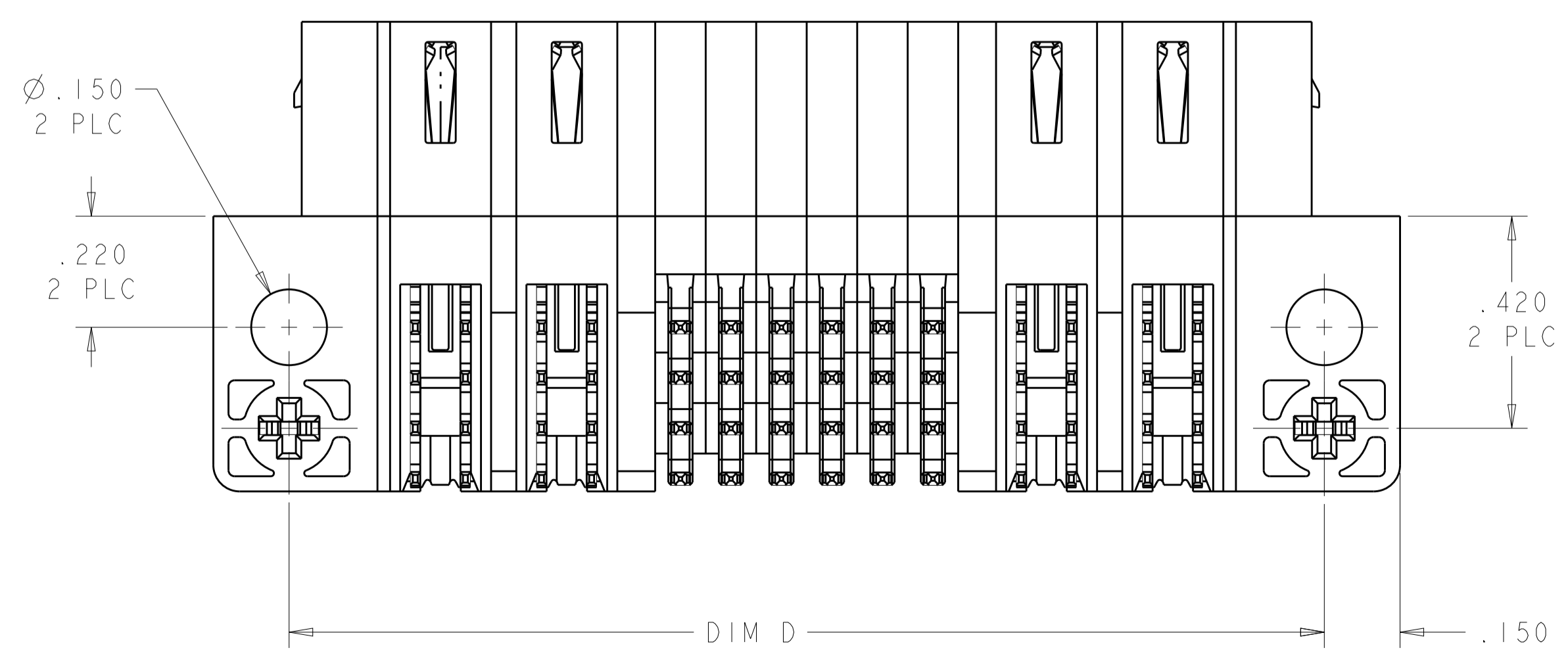
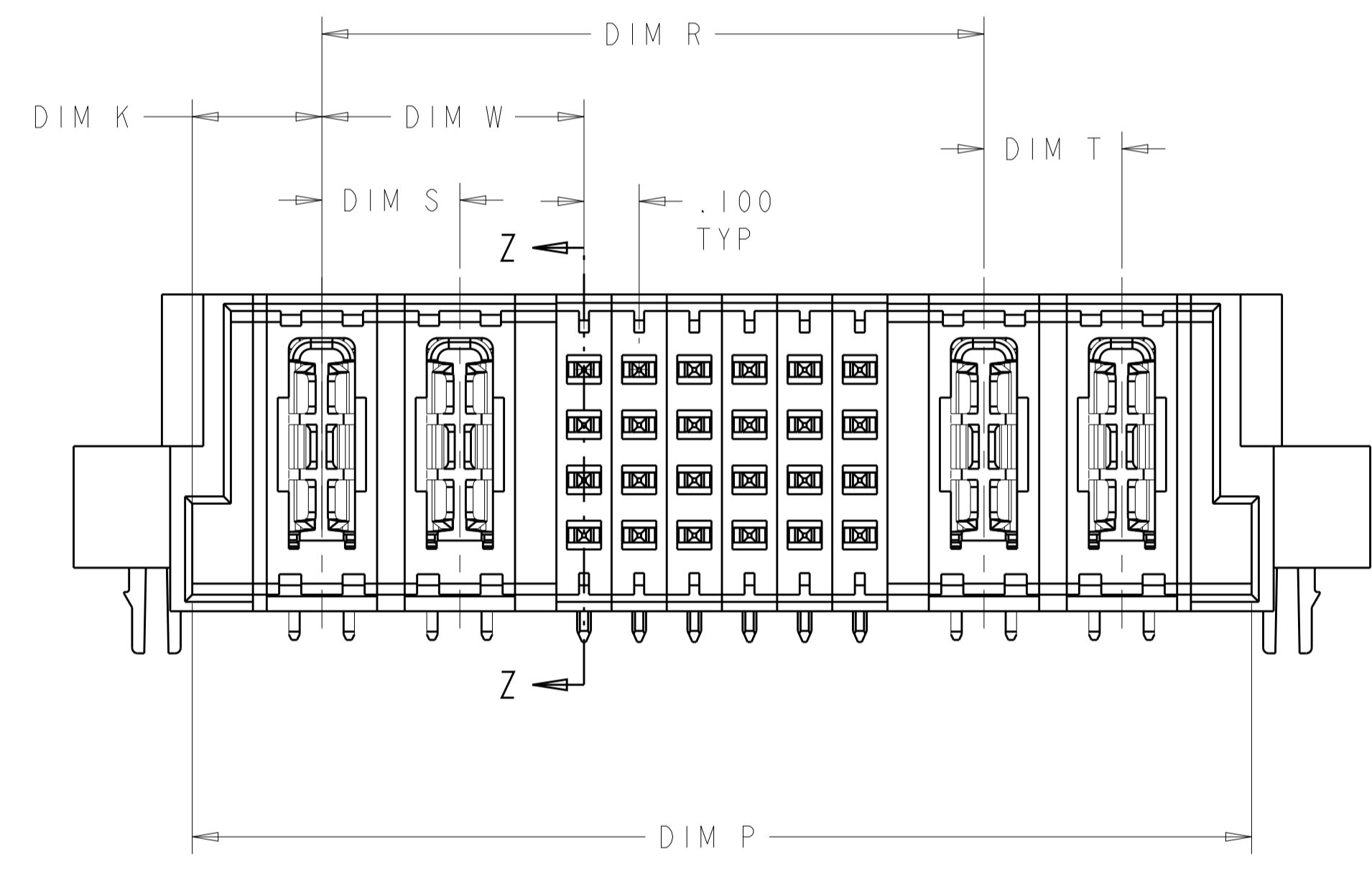
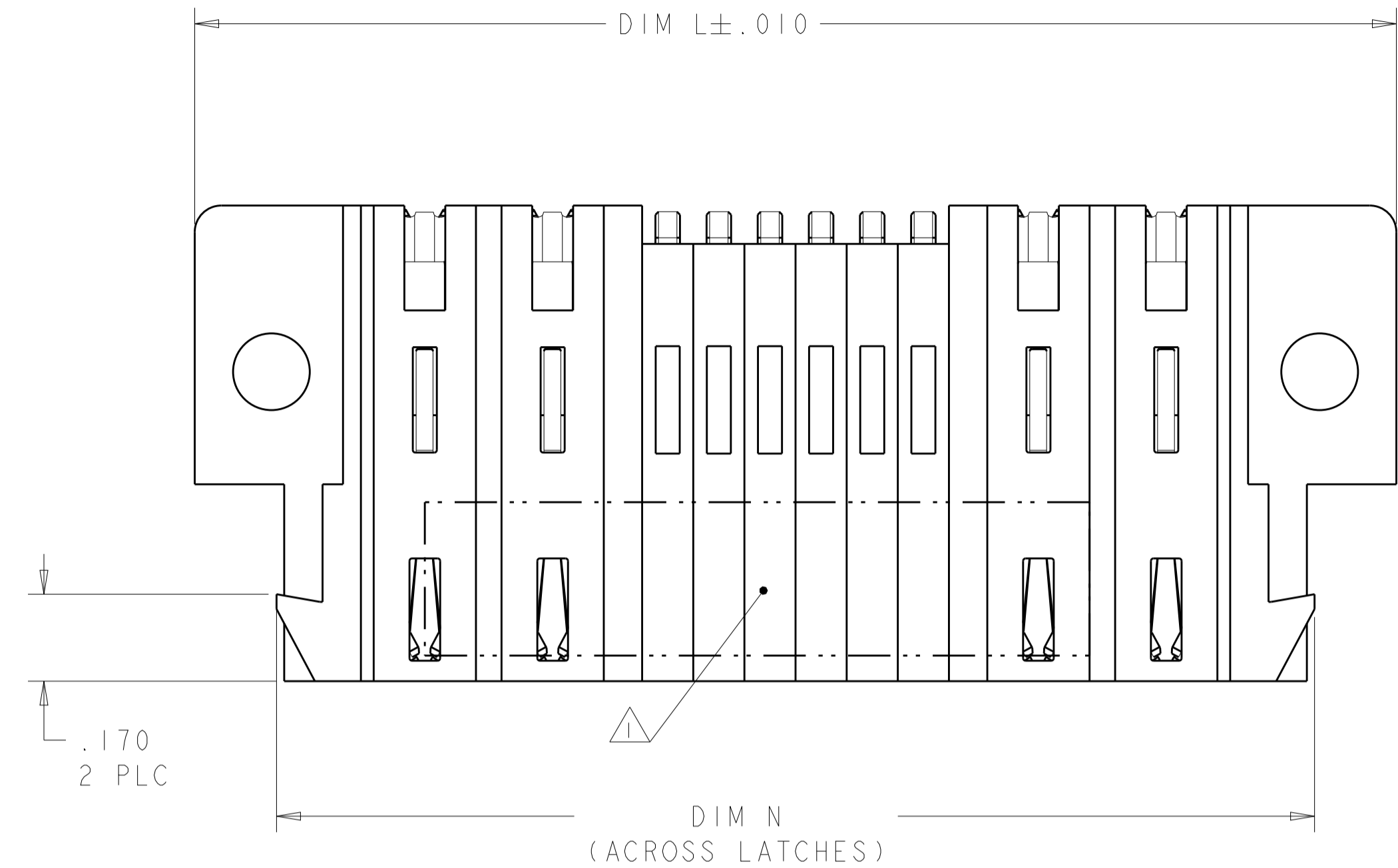
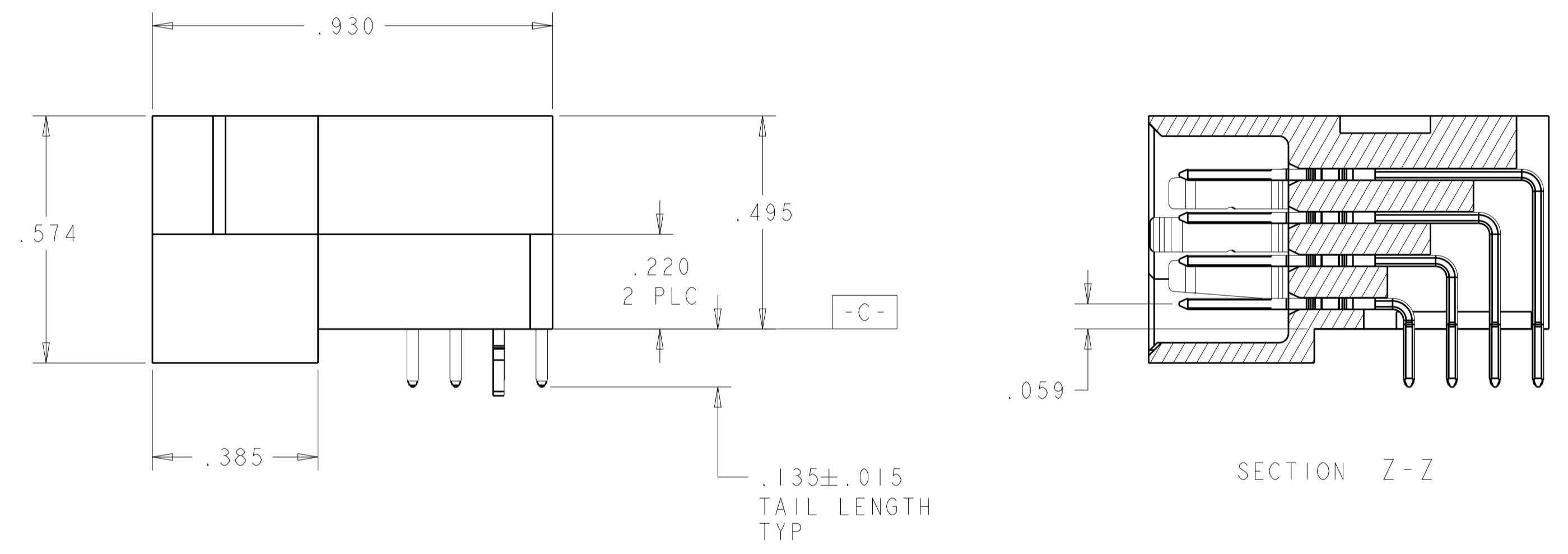


LOC		DIST		REVISIONS			
ES	00	P	LTH	DESCRIPTION	DATE	DWN	APVD
		A1		REV PER ECR-12-011078	20JUN2012	CZ	SZ



- 1 "AMP" PART NUMBER AND DATE CODE TO BE MARKED IN AREA SHOWN. PARTS UNDER 2.500 LONG MAY BE MARKED ON BOTH SIDES.
- 2 MATERIAL: HOUSING - GLASS FILLED HIGH TEMP THERMO PLASTIC, UL 94 V-0
SIGNAL CONTACT - COPPER ALLOY
POWER CONTACT - HIGH CONDUCTIVITY COPPER ALLOY.
- 3 CONTACT FINISHE:
CONFORMS TO THE REQUIREMENTS OF TE CONNECTIVITY PRODUCT SPECIFICATION 108-2292 ON THE MATING INTERFACE, TIN AT PCB INTERFACE
- 4 MECHANICAL CONNECTOR KEEP OUT ZONE. WHEN PLACING CONNECTORS END-TO-END, ALLOW ADDITIONAL 0.1 CLEARANCE BETWEEN CONNECTORS FOR LATCH ACTIVATION.
- 5 DATUM AND BASIC DIMENSIONS ESTABLISHED BY CUSTOMER.
- 6 PCB - ALL HOLE DIAMETERS ARE FINISHED HOLE SIZES.
- 7 PCB - .0453±.0010 DRILLED HOLES PLATED WITH .0003 MIN Sn OVER .001 TO .003 Cu PLATING TO ACHIEVE A .040 DIA HOLE.

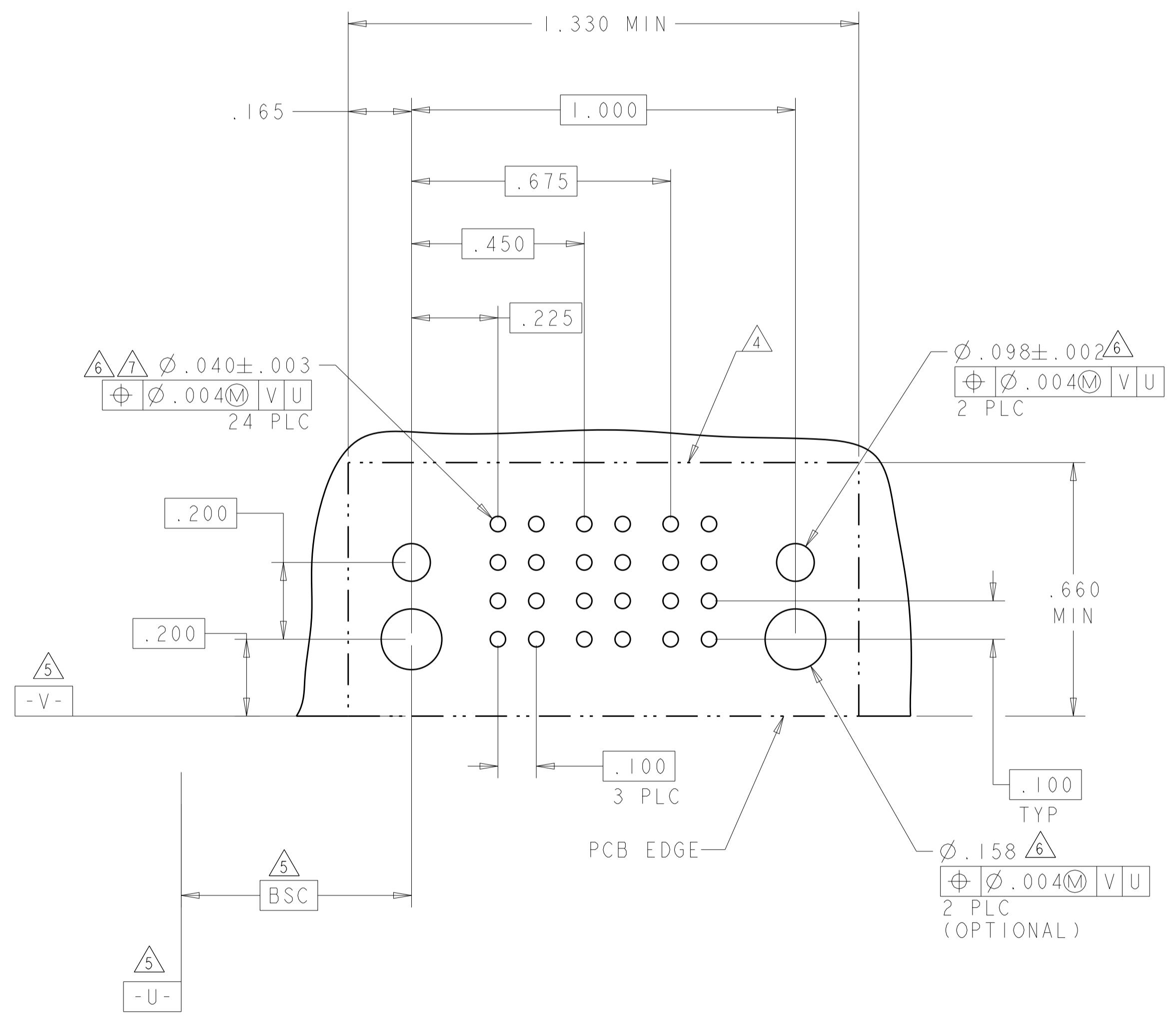


DIM P	DIM N	DIM D	DIM R	DIM W	DIM T	DIM S	DIM L	DIM K	DESCRIPTION	PART NUMBER
.870	.980	1.000	.450	.175	-	-	1.300	.210	IP + 8S + IP	6450834-1

THIS DRAWING IS A CONTROLLED DOCUMENT.		DWN C. ZHOU CHK S. ZHAO	30MAY2012 30MAY2012
DIMENSIONS: INCHES	TOLERANCES UNLESS OTHERWISE SPECIFIED:	NAME	
0 PLC ±	1 PLC ±.01	PRODUCT SPEC	
2 PLC ±.005	3 PLC ±.0020	108-2292	
4 PLC ±.0020	ANGLES ±.0020	APPLICATION SPEC	
MATERIAL	FINISH	SIZE	CAGE CODE DRAWING NO
2	3	114-13251	A100779
CUSTOMER DRAWING		WEIGHT	RESTRICTED TO
		SCALE	4:1
		SHEET	1 OF 2
		REV	A2

LOC	DIST	REVISIONS			
P	LTN	DESCRIPTION	DATE	DWN	APVD
-	-	SEE SHEET 1	-	-	-

PART NUMBER	ROWS		POWER		SIGNAL		POWER	
			P1		1	2	P2	
6450834-1	D	HD	TM		J	J	TM	
	C				K	K		
	B				N	N		
	A				S	S		
IP + 8S + IP								



J	STD	.135	D
K	STD	.135	C
N	STD	.135	B
S	STD	.135	A
CODE	MATING SEQUENCE	TAIL LENGTH	ROW

TM	.135
CODE	TAIL LENGTH
POWER CONTACT	

THIS DRAWING IS A CONTROLLED DOCUMENT.		DWN C. ZHOU CHK S. ZHAO	30MAY2012 30MAY2012	TE Connectivity RIGHT ANGLE HEADER ASSEMBLY W/END LATCHES MULTI-BEAM XLE
DIMENSIONS: INCHES	TOLERANCES UNLESS OTHERWISE SPECIFIED:	APVD	NAME	
0 PLC ±. 1 PLC ±.01 2 PLC ±.01 3 PLC ±.005 4 PLC ±.002 ANGLES ±.2°	PRODUCT SPEC 108-2292 APPLICATION SPEC 114-13251 WEIGHT -	SIZE CAGE CODE DRAWING NO A100779C=6450834	RESTRICTED TO	
MATERIAL	FINISH	CUSTOMER DRAWING		
		SCALE 4:1	SHEET 2 OF 2	REV A2