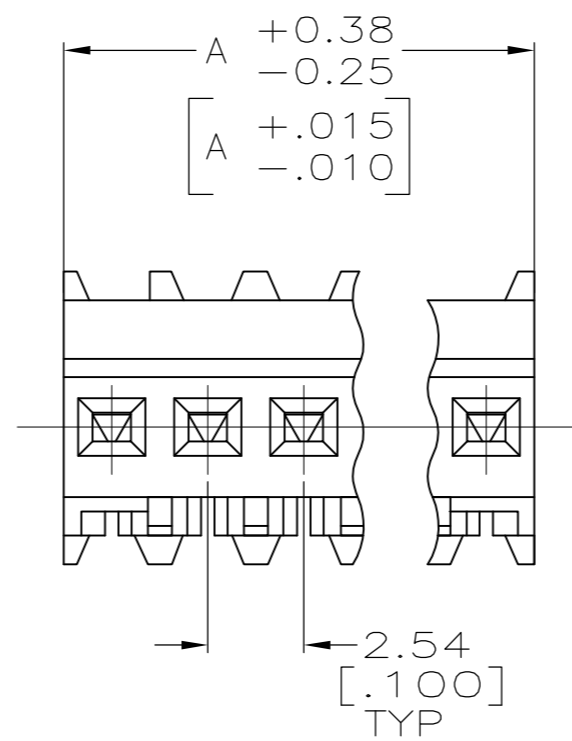
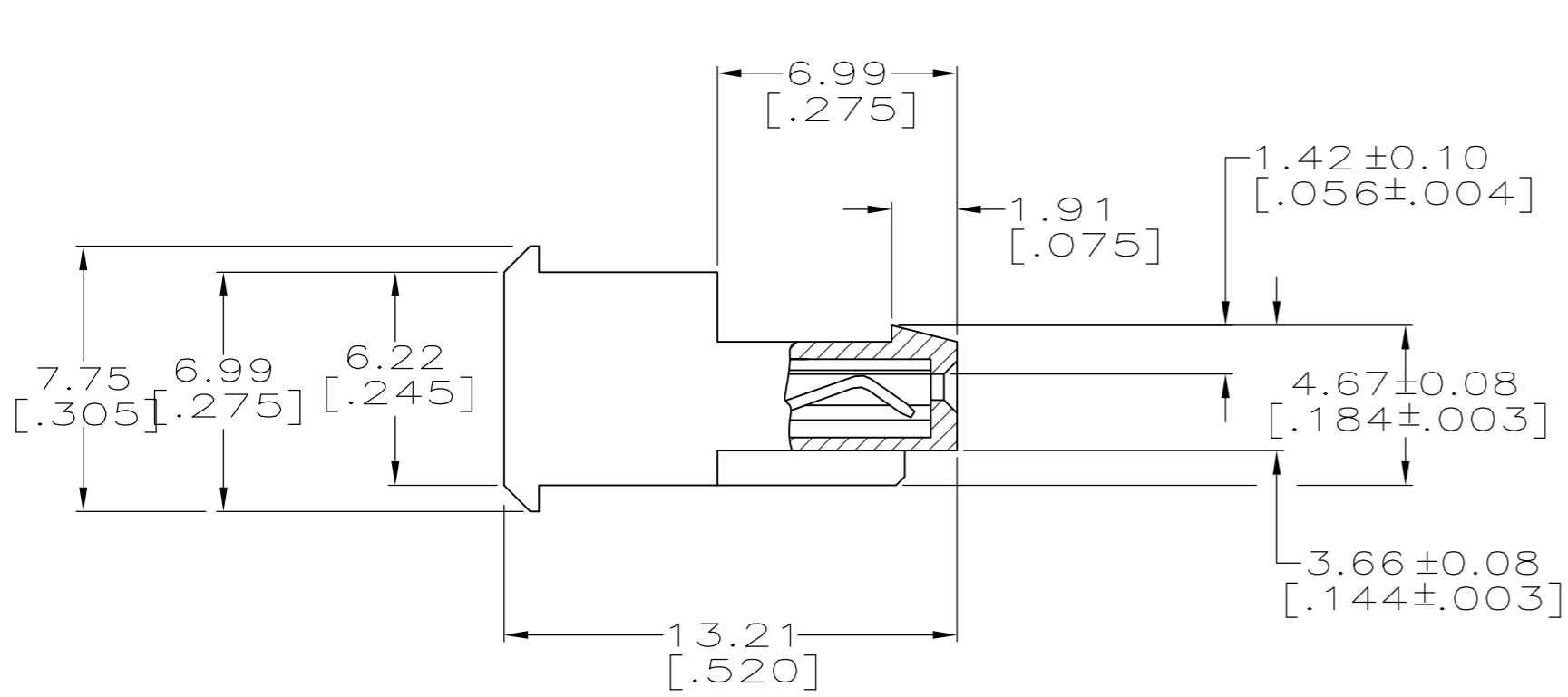
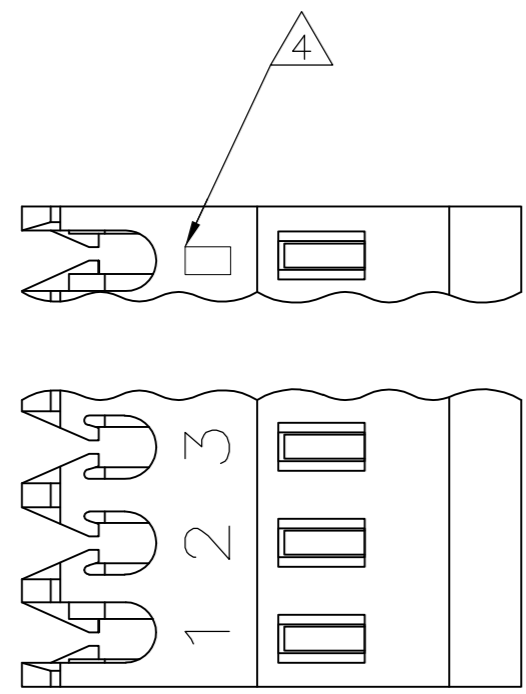


THIS DRAWING IS UNPUBLISHED. RELEASED FOR PUBLICATION
 © COPYRIGHT BY TYCO ELECTRONICS CORPORATION. ALL RIGHTS RESERVED.

LOC	DIST	REVISIONS					
CM	00	P	LTR	DESCRIPTION	DATE	DWN	APVD
		B2		REVISED PER ECR-17-018813	08FEB2018	BDA	SG



LEAD	FREE	NO. OF POSN	ASSEMBLY
38.10	[1.500]	15	4-644577-5
35.56	[1.400]	14	4-644577-4
33.02	[1.300]	13	4-644577-3
30.48	[1.200]	12	4-644577-2
27.94	[1.100]	11	4-644577-1
25.40	[1.000]	10	4-644577-0
22.86	[.900]	9	3-644577-9
20.32	[.800]	8	3-644577-8
17.78	[.700]	7	3-644577-7
15.24	[.600]	6	3-644577-6
12.70	[.500]	5	3-644577-5
10.16	[.400]	4	3-644577-4
7.62	[.300]	3	3-644577-3
5.08	[.200]	2	3-644577-2

LEAD	CONTAINS	NO. OF POSN	ASSEMBLY
38.10	[1.500]	15	4-644577-5
35.56	[1.400]	14	4-644577-4
33.02	[1.300]	13	4-644577-3
30.48	[1.200]	12	4-644577-2
27.94	[1.100]	11	4-644577-1
25.40	[1.000]	10	4-644577-0
22.86	[.900]	9	644577-9
20.32	[.800]	8	644577-8
17.78	[.700]	7	644577-7
15.24	[.600]	6	644577-6
12.70	[.500]	5	644577-5
10.16	[.400]	4	644577-4
7.62	[.300]	3	644577-3
5.08	[.200]	2	644577-2

SUPERSEDED

- SUPERSEDED
- SUPERSEDED
- SUPERSEDED

MATERIAL: CONNECTOR-NYLON UL94V-0 (BLACK).
 CONTACTS-0.30 [.012] THICK COPPER ALLOY
 BRIGHT TIN-LEAD 0.00203 [.000080] MIN THICK FOR CONTACTS
 644577-2 THRU 1-644577-5
 MATTE WHISKER MITIGATED TIN PLATE 0.00203 [.000080] MIN THICK
 OVER 0.00076 [.000030] MIN THICK NICKEL FOR CONTACTS
 3-644577-2 THRU 4-644577-5.

2. CONTACTS ACCEPT 26 AWG WIRE WITH 1.52 [.060] MAX INSULATION DIAMETER.

3. CONTACTS MUST ACCEPT 0.64±0.03 [.025±.001] SQUARE POST AND REMAIN LOCKED IN POSITION.

IDENTIFICATION NUMBER FOR LAST CIRCUIT MAY NOT APPEAR ON ALL ASSEMBLIES.

5. DIMENSIONS IN BRACKETS ARE IN INCHES.

6. HOUSING FEATURES ARE: FEED THRU WITH LOCKING RAMP.

OBSOLETE PARTS: OBSOLETE CIS STREAMLINING PER D.RENAUD/D.SINISI

OBSOLETE PARTS

THIS DRAWING IS A CONTROLLED DOCUMENT.		DWN S. HOOVER 03-DEC-2004	Tyco Electronics Corporation Harrisburg, Pa 17105-3608	
DIMENSIONS: mm [INCHES]		CHK D. BOSSI 03-DEC-2004	NAME MTA .100 CONNECTOR ASSEMBLY 26 AWG, BLACK UL94V-0, SPECIAL	
TOLERANCES UNLESS OTHERWISE SPECIFIED: 0 PLC ± 1 PLC ± 2 PLC ± 0.13 [.005] 3 PLC ± 4 PLC ±		APVD D. BOSSI 03-DEC-2004	PRODUCT SPEC 108-1019	
MATERIAL		FINISH	APPLICATION SPEC 114-1050	SIZE A2
			WEIGHT	CAGE CODE 00779
CUSTOMER DRAWING			DRAWING NO C=644577	RESTRICTED TO
SCALE 5:1			SHEET 1 OF 1	REV B2