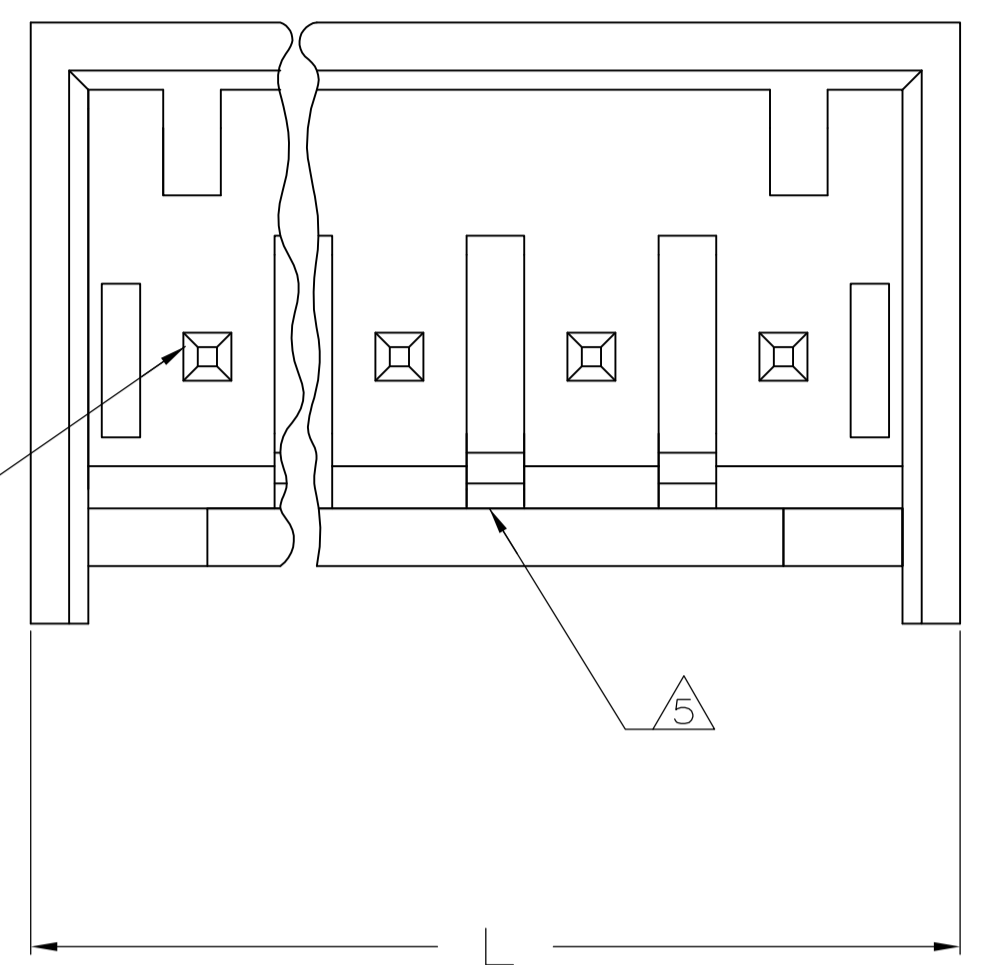
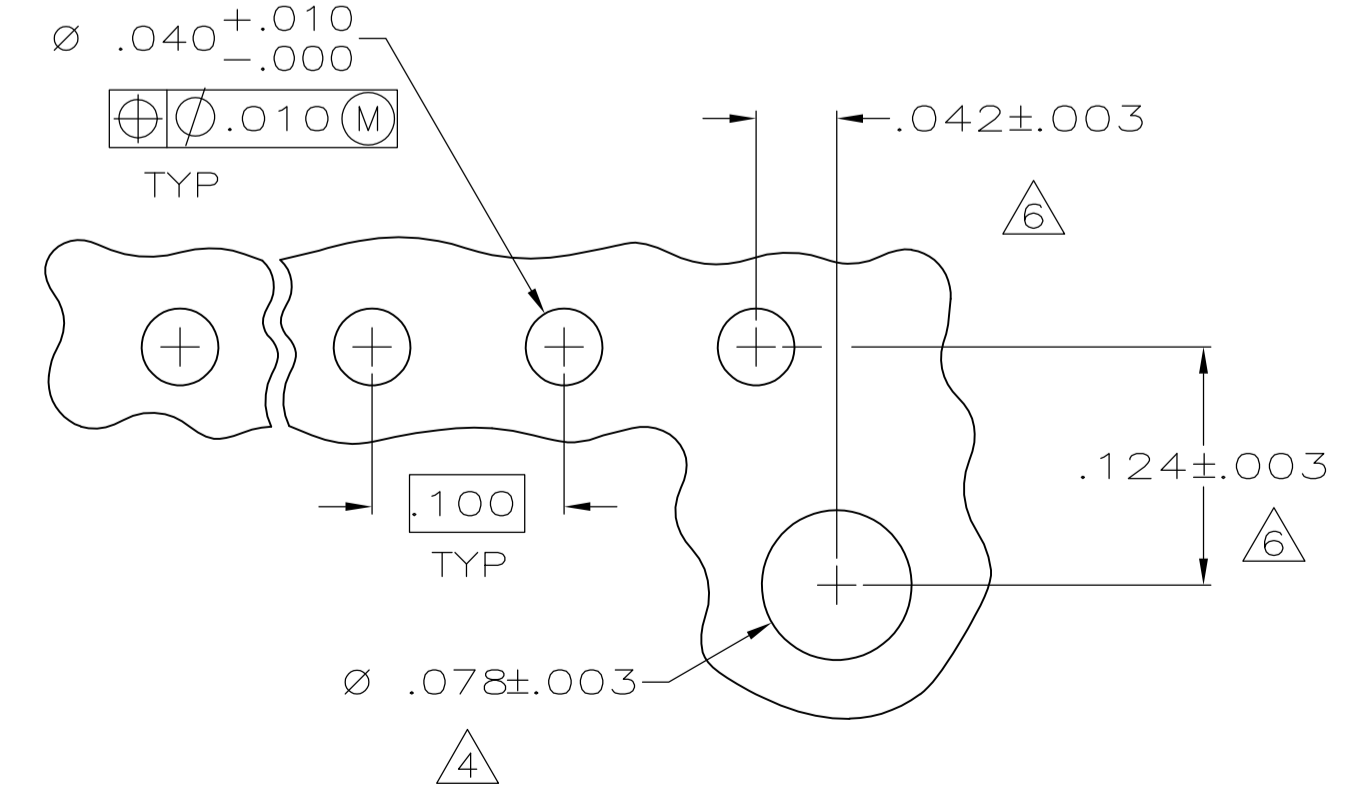
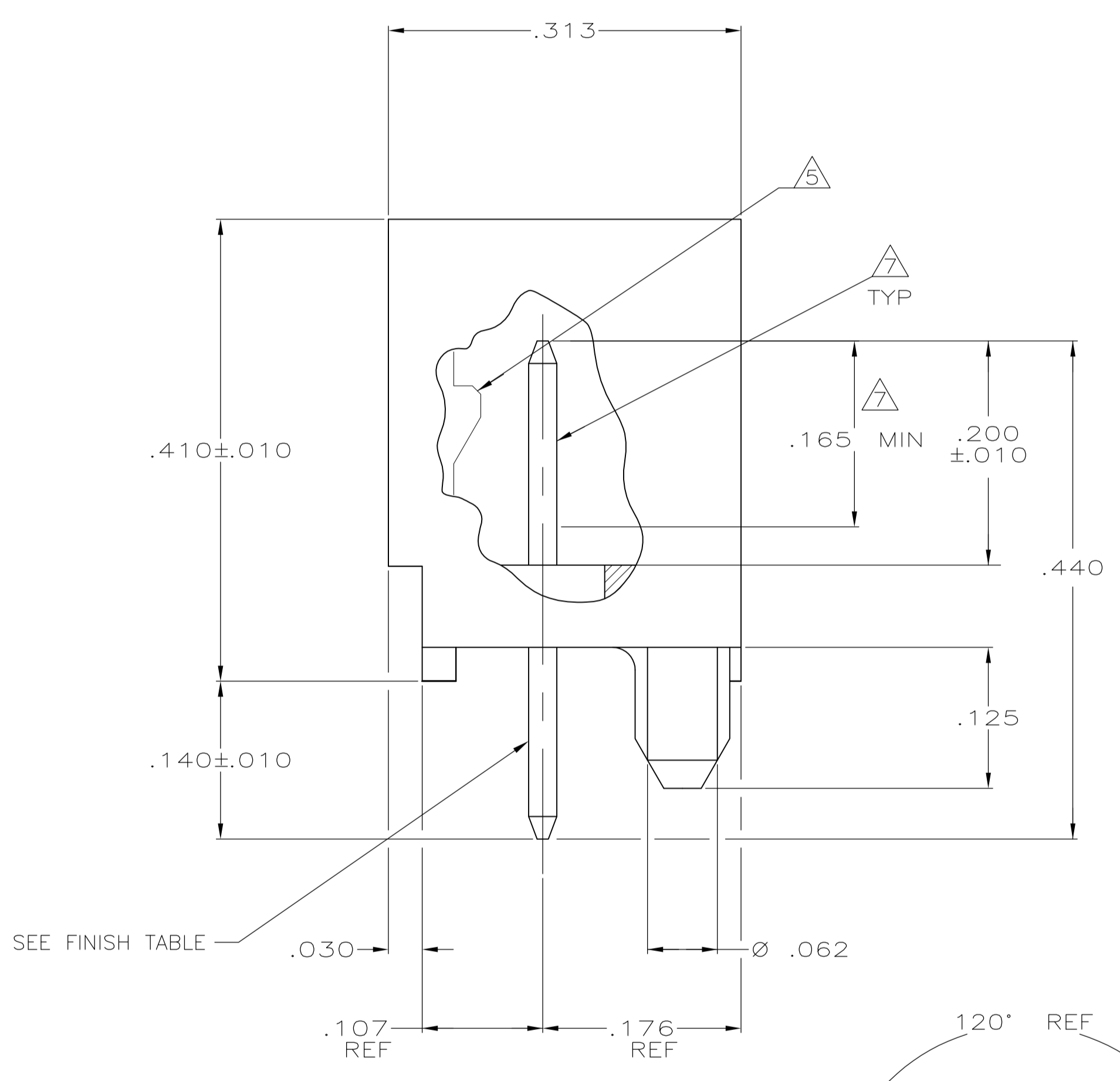
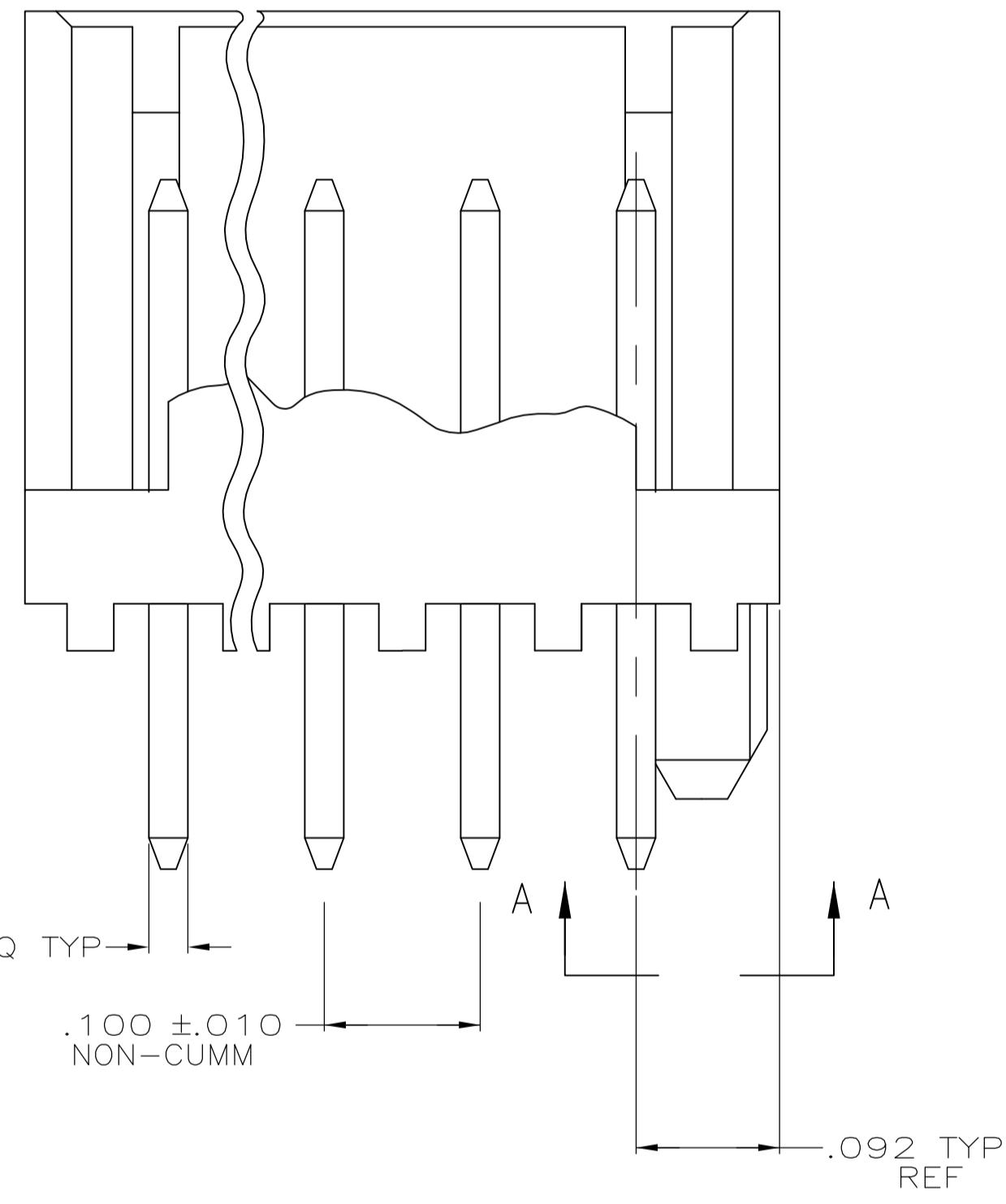


| LOC |    | DIST |         | REVISIONS               |      |      |  |
|-----|----|------|---------|-------------------------|------|------|--|
| CM  | 00 | REV  | DATE    | BY                      | CHKD | APVD |  |
|     |    | H    | 13OCT11 | REVIS PER ECO-11-014383 | KH   | SM   |  |
|     |    | J    | 16SEP13 | ECR-13-008537           | M.T  | D.Z  |  |



POST #1

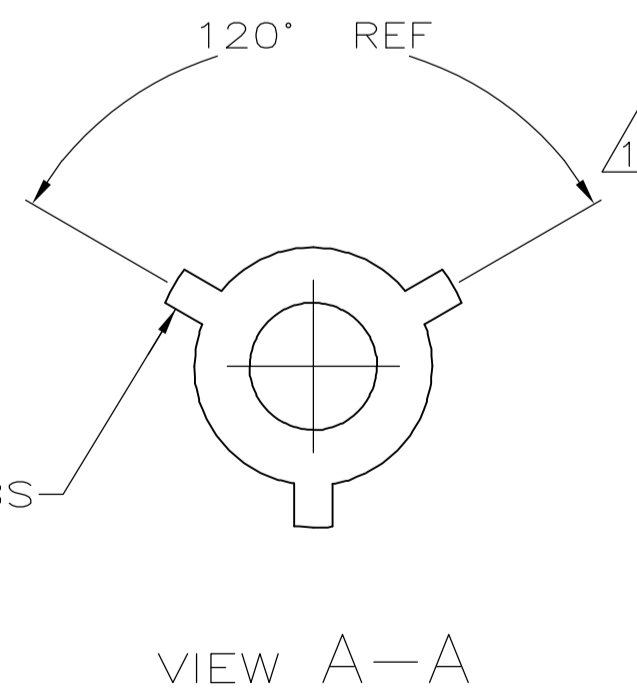


RECOMMENDED MOUNTING HOLE PATTERN FOR .063 THK PRINTED CIRCUIT BOARD

| .010    | 0.25    | .107 | 2.72 | .440 | 11.18 |
|---------|---------|------|------|------|-------|
| .005    | 0.13    | .100 | 2.54 | .410 | 10.41 |
| .003    | 0.08    | .092 | 2.34 | .313 | 7.95  |
| .001    | 0.03    | .078 | 1.98 | .200 | 5.08  |
| .000350 | 0.00889 | .063 | 1.6  | .176 | 4.47  |
| .000150 | 0.00381 | .042 | 1.07 | .165 | 4.19  |
| .000050 | 0.00127 | .040 | 1.02 | .140 | 3.56  |
| .000030 | 0.00076 | .030 | 0.76 | .125 | 3.18  |
| .000    | 0       | .025 | 0.64 | .124 | 3.15  |
| IN      | MM      | IN   | MM   | IN   | MM    |

CONVERSION TABLE

**METRIC**



RETENTION TABS  
3 PLC

- 1 MATERIAL: HEADER- POLYESTER UL94V-0 (BLACK)  
POST- COPPER ALLOY.
- 2 SOLDER SIDE OF P.C. BOARD SHOWN.
- 3 PARTS COMPLY WITH AMP SOLDERABILITY SPEC 109-11-2.
- 4 THE RETENTION TABS PROVIDE A ONE-TIME INTERFERENCE FIT IN THE .078 DIAMETER BOARD HOLE FOR HEADER ASSEMBLY RETENTION DURING SOLDERING.
- 5 LATCH DETENT FEATURE OCCURS 2 PLACES ON EACH END (MAXIMUM OF FOUR PER PART). FOR 2 THRU 5 CIRCUIT HEADERS, LATCH FEATURE OCCURS BETWEEN EACH CIRCUIT.
- 6 COORDINATE DIMENSION APPLIES FROM CENTER OF ACTUAL FEATURE.
- 7 PLATING: GOLD PLATE AREA, .000030 GOLD OR .000003 MIN GOLD FLASH OVER .000027 PALLADIUM NICKEL, PER TE CONNECTIVITY'S DISCRETION, ALL SIDES, OVER NICKEL UNDERPLATE, .000050 MIN, ALL SIDES AND ENTIRE LENGTH OF POST.
- 8 TIN PLATE, .000150-.000350 THK, ALL FOUR SIDES, .140 REF.
- 9 UL RECOGNIZED ( UR ) LOGO AND CSA LOGO WILL APPEAR ON THE SIDE OF THE PART. THE AMP LOGO MAY APPEAR ON THE SIDE OR ON BOTTOM OF PART.
- 10 MATTE TIN PLATE .000150-.000350 THICK, ALL FOUR SIDES, .140 REF.
- 11 OBSOLETE PARTS: OBSOLETE CIS STREAMLINING PER D.RENAUD/D.SINISI

| IN    | MM    | NO OF POSITIONS | PART NUMBER |
|-------|-------|-----------------|-------------|
| 1.484 | 37.69 | 14              | 3-644487-4  |
| 1.384 | 35.15 | 13              | 3-644487-3  |
| 1.284 | 32.61 | 12              | 3-644487-2  |
| 1.184 | 30.07 | 11              | 3-644487-1  |
| 1.084 | 27.53 | 10              | 3-644487-0  |
| .984  | 24.99 | 9               | 2-644487-9  |
| .884  | 22.45 | 8               | 2-644487-8  |
| .784  | 19.91 | 7               | 2-644487-7  |
| .684  | 17.37 | 6               | 2-644487-6  |
| .584  | 14.83 | 5               | 2-644487-5  |
| .484  | 12.29 | 4               | 2-644487-4  |
| .384  | 9.75  | 3               | 2-644487-3  |
| .284  | 7.21  | 2               | 2-644487-2  |

THIS DRAWING IS A CONTROLLED DOCUMENT.

|                    |  |                           |                              |                          |
|--------------------|--|---------------------------|------------------------------|--------------------------|
| DIMENSIONS: INCHES | TOLERANCES UNLESS OTHERWISE SPECIFIED: | DIN S CARPENTER 28MAY2003 | APPROVAL: D. ROSSI 28MAY2003 | NAME: D. ROSSI 28MAY2003 |
| 0 PLC ± -          | 1 PLC ± -                              | 2 PLC ± -                 | 3 PLC ± -                    | 4 PLC ± -                |
| ANGLES ± -         | APPLICATION SPEC                       |                           |                              |                          |
| MATERIAL           | FINISH                                 | WEIGHT                    | SIZE                         | CAGE CODE                |
|                    | SEE TABLE                              | A1                        | 00779                        | 644487                   |

STE TE Connectivity

MTA-100 SHROUDED HEADER ASSEMBLY, FRICTION LOCK, STRAIGHT POST, .000030 GOLD

CUSTOMER DRAWING SCALE 10:1 SHEET 1 OF 1 REV J