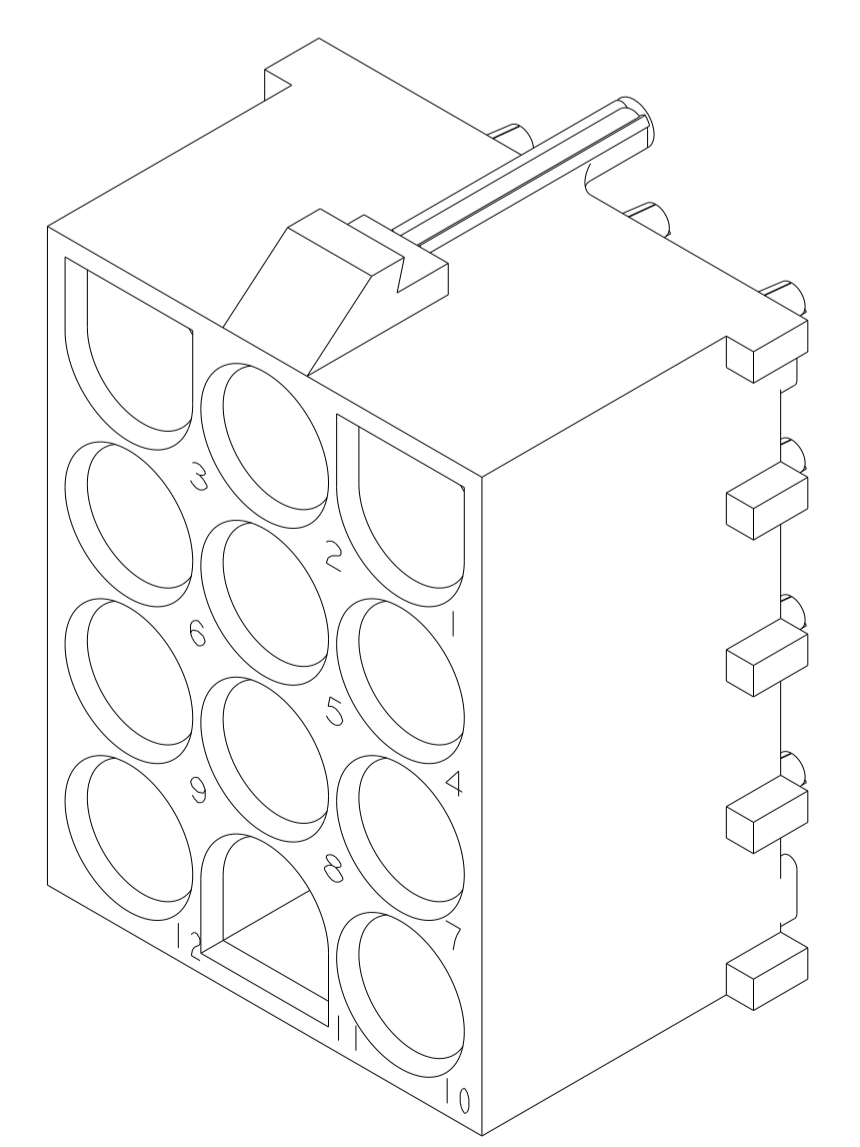
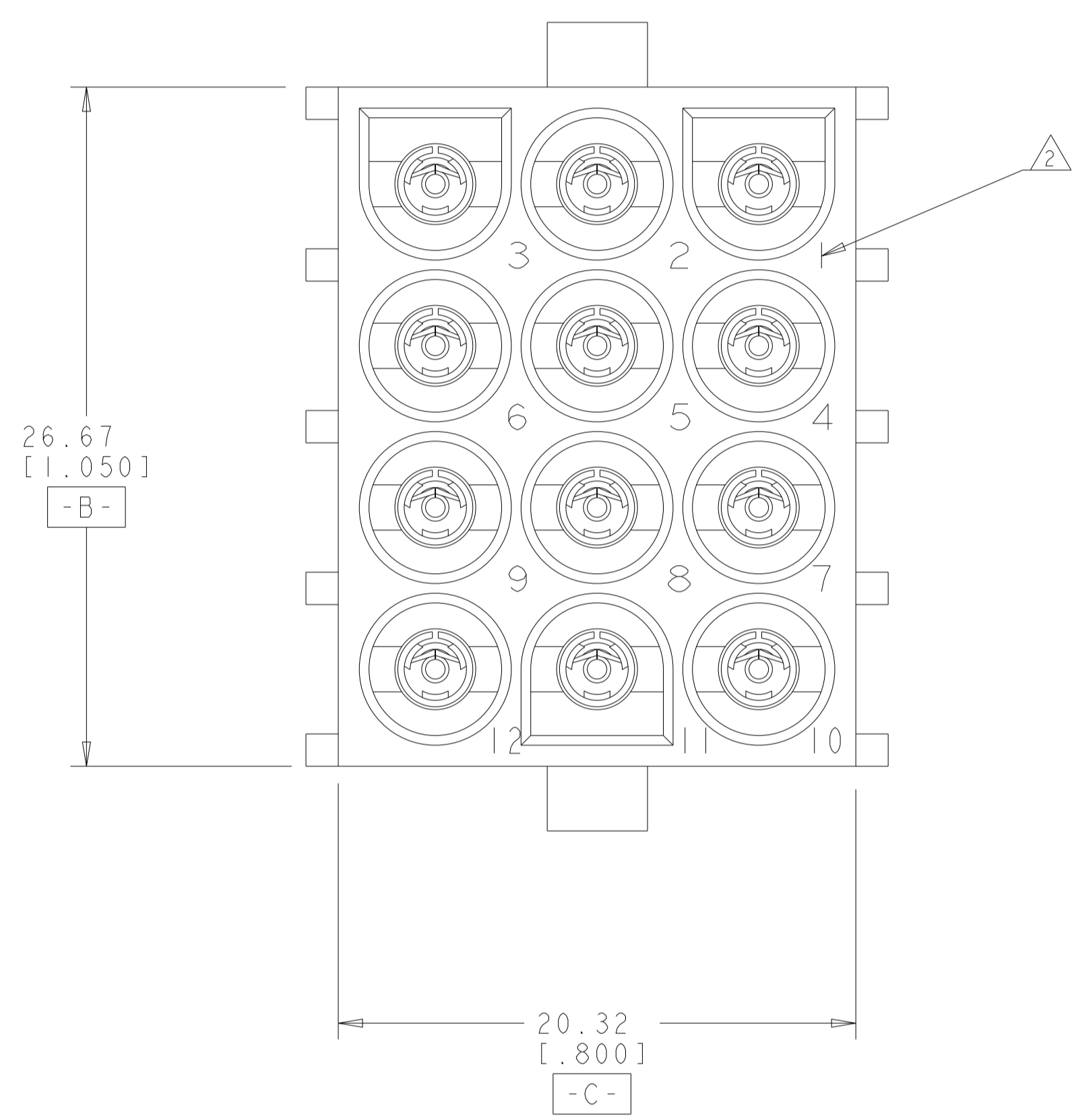
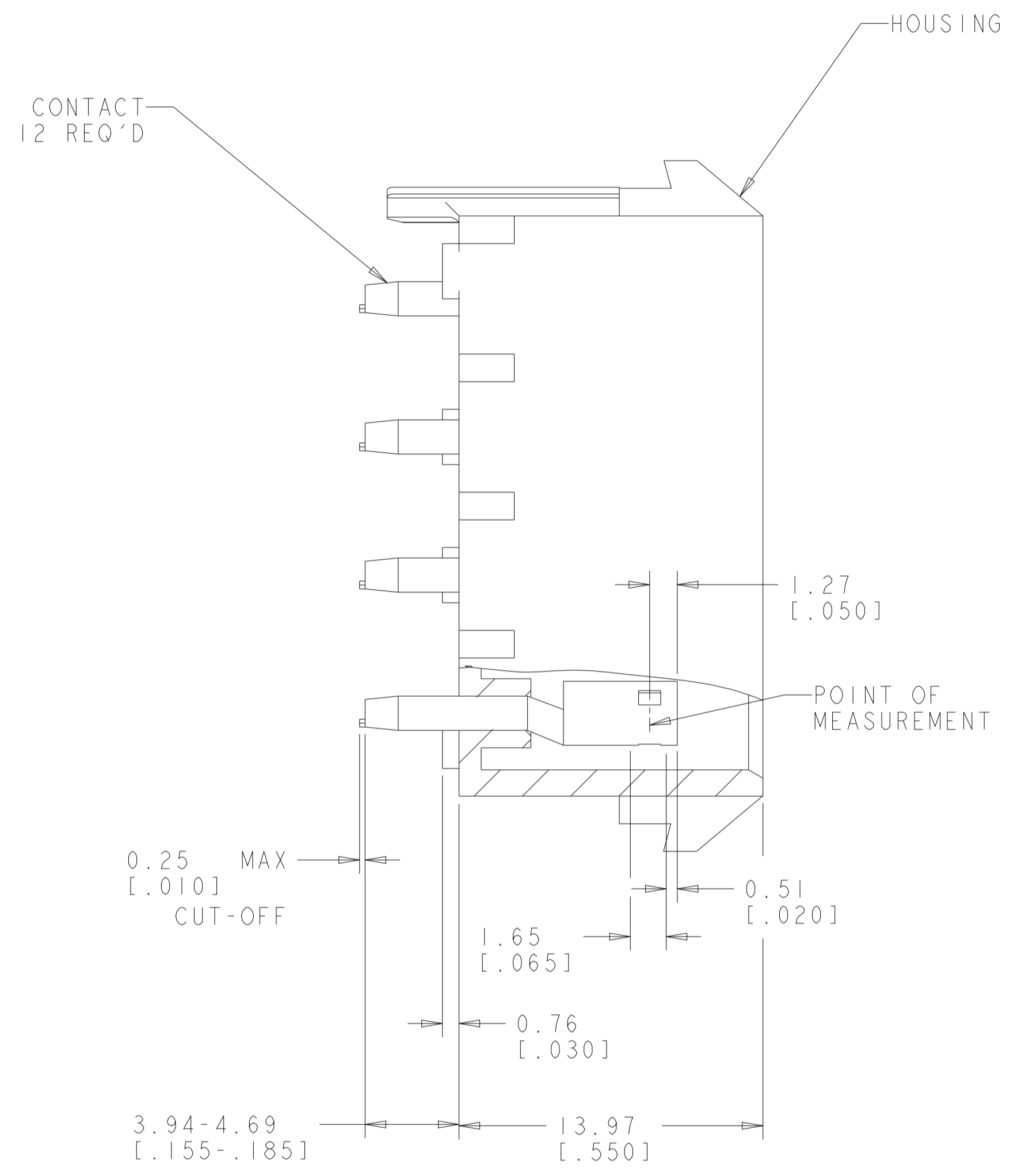
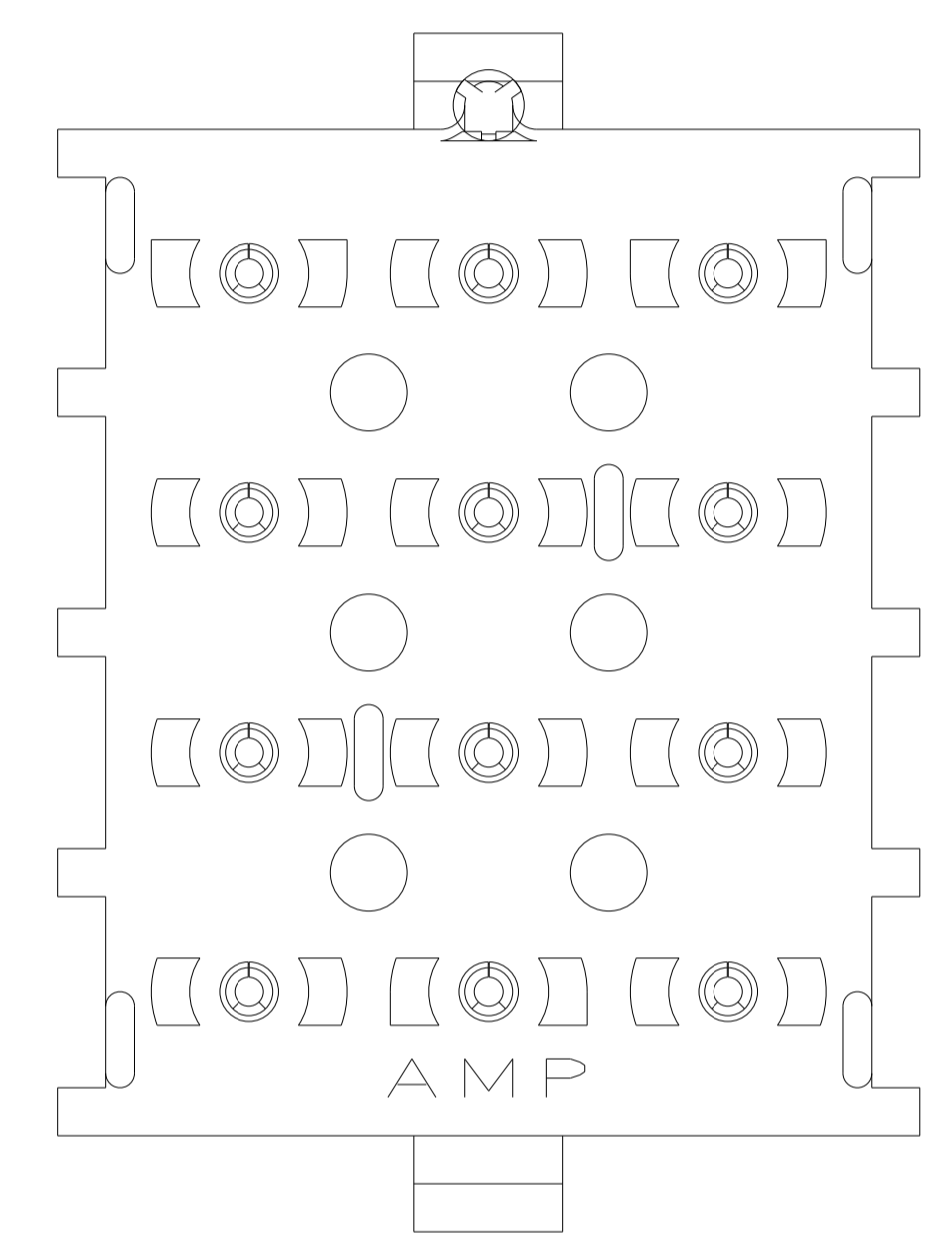
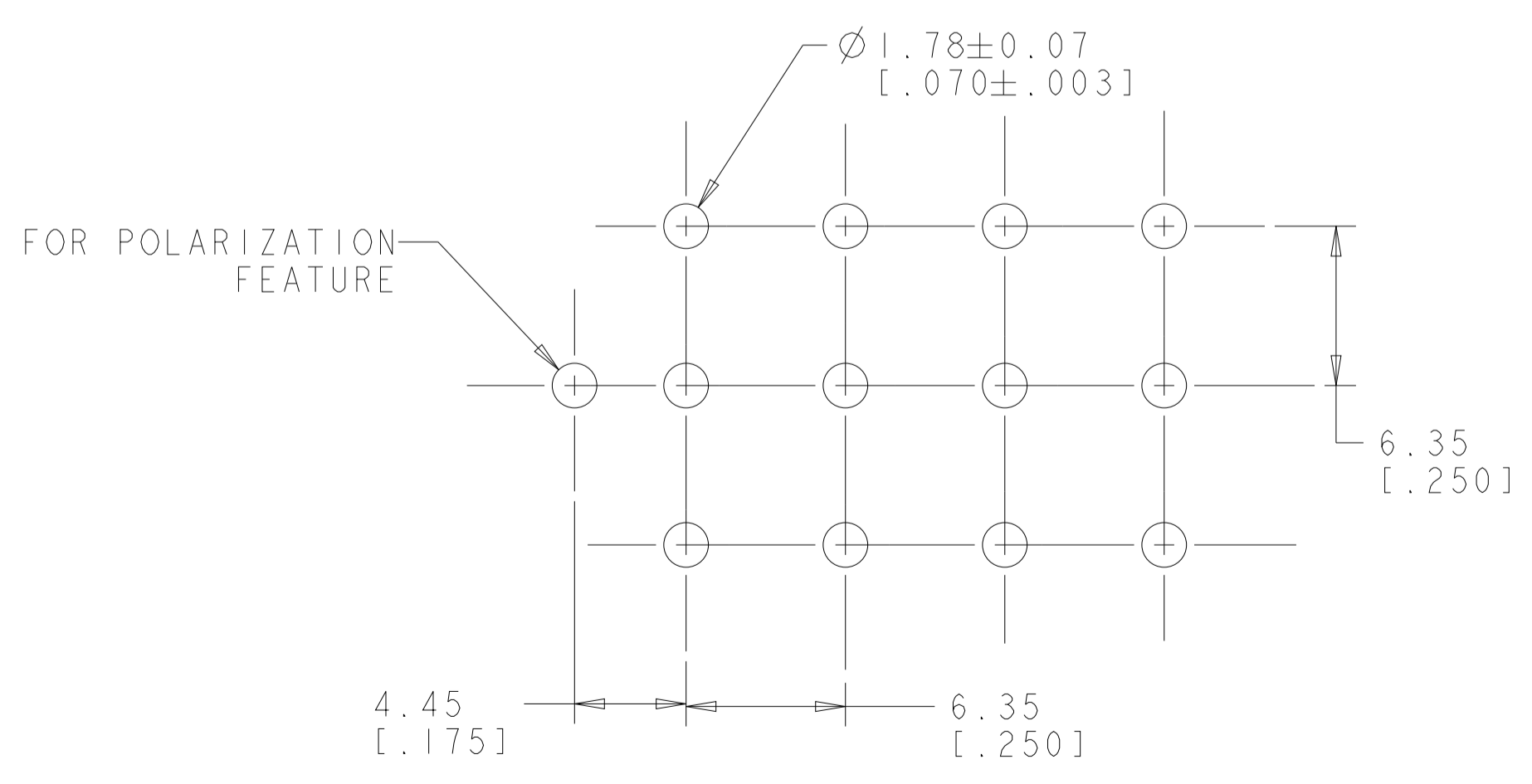


REVISIONS				
P	LTN	DESCRIPTION	DATE	APVD
	H2	REVISED PER ECR-21-117154	01AUG2022	SM VS

- PARTS COMPLY WITH AMP SOLDERABILITY SPEC.109-11-2.
- CIRCUIT IDENTIFICATION CHARACTERS ARE ADJACENT TO THE INDICATED CAVITIES, BUT LOCATION AND ORIENTATION MAY DIFFER FROM PRINT.
- CONTACT IS PLATED OVERALL WITH 0.00127 [.000050] NICKEL, THEN 0.00076 [.000030] GOLD OVER CONTACT LENGTH INDICATED AND MATTE TIN ON SOLDER TAIL END.
- DIMENSIONS SHOWN REPRESENT PRODUCT IN DRY CONDITION. ADDITIONAL 2% GROWTH DUE TO END USE LOCATION MOISTURE ABSORPTION MAY OCCUR AND SHOULD BE ACCOUNTED FOR.



3 DIMENSIONAL MODEL
SCALE 4:1



RECOMMENDED LAYOUT FOR
1.57 [.062] THICK P.C. BOARD

PH BRZ	GOLD Δ	NYLON, 94V-0	BLACK	643428-3
PH BRZ	PRE-TIN	NYLON, 94V-0	BLACK	643428-2
PH BRZ	PRE-TIN	NYLON, 94V-0	WHITE	643428-1
MATERIAL	FINISH	MATERIAL	COLOR	PART NO
PIN		HOUSING		

THIS DRAWING IS A CONTROLLED DOCUMENT.

DIMENSIONS: mm [INCHES]	TOLERANCES UNLESS OTHERWISE SPECIFIED:	DWN K. WHITAKER 01DEC2000	CHK S. RIDGILL 01DEC2000	APVD S. RIDGILL 01DEC2000	NAME HEADER ASSEMBLY, SOCKET, POLARIZED, 12-CIRCUIT, UNIVERSAL MATE-N-LOK(TM)
0 PLC ±	±	APVD S. RIDGILL 01DEC2000		PRODUCT SPEC	SIZE
1 PLC ±	±	APVD S. RIDGILL 01DEC2000		APPLICATION SPEC	CAGE CODE
2 PLC ±	±	APVD S. RIDGILL 01DEC2000		WEIGHT	DRAWING NO
3 PLC ±	±	APVD S. RIDGILL 01DEC2000		CUSTOMER DRAWING	RESTRICTED TO
4 PLC ±	±	APVD S. RIDGILL 01DEC2000		SCALE 4:1	SHEET 1 OF 1
ANGLES ±	±	APVD S. RIDGILL 01DEC2000		REV H2	
FINISH ±	±	APVD S. RIDGILL 01DEC2000			

MATERIAL SEE TABLE SEE TABLE

METRIC