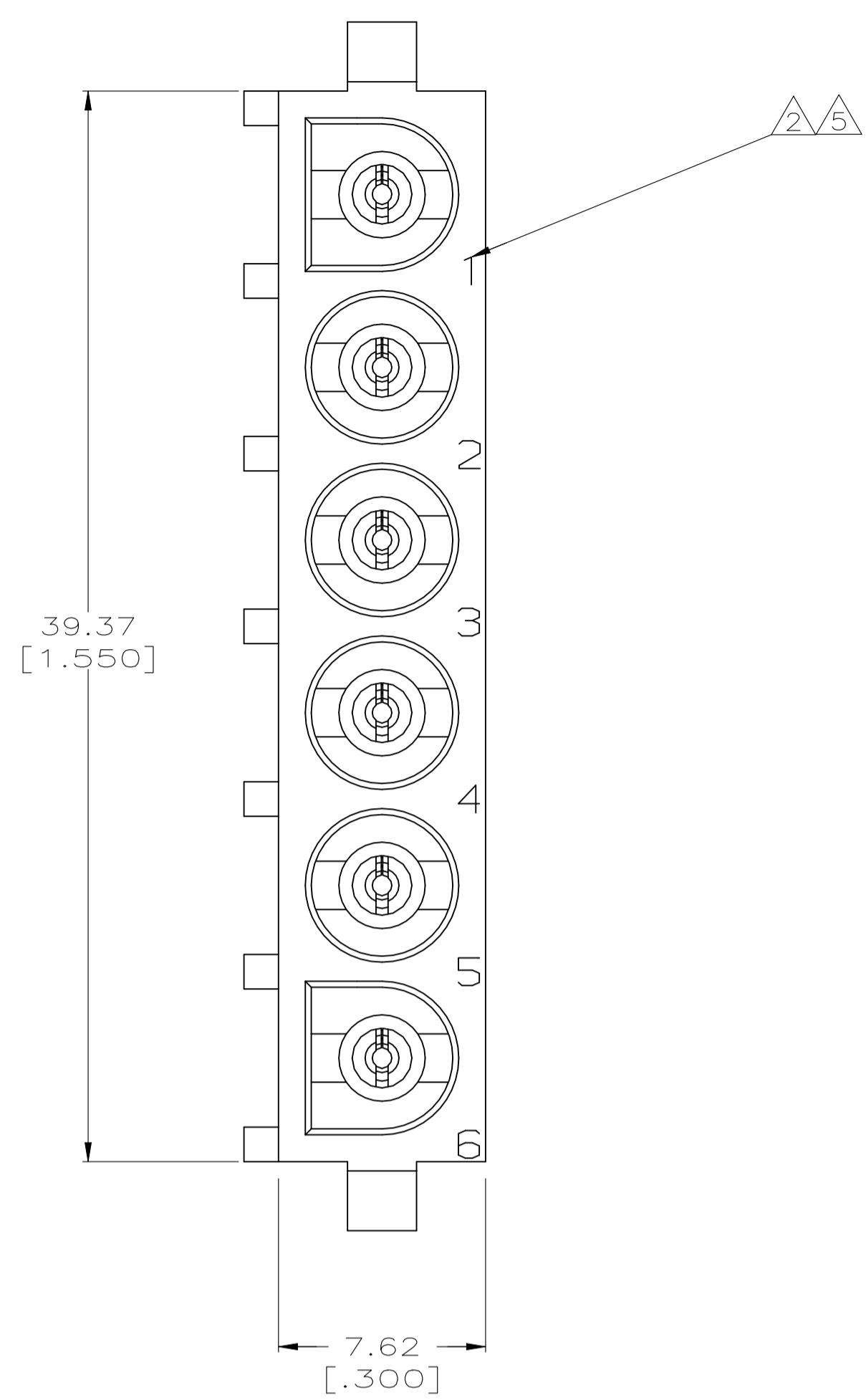
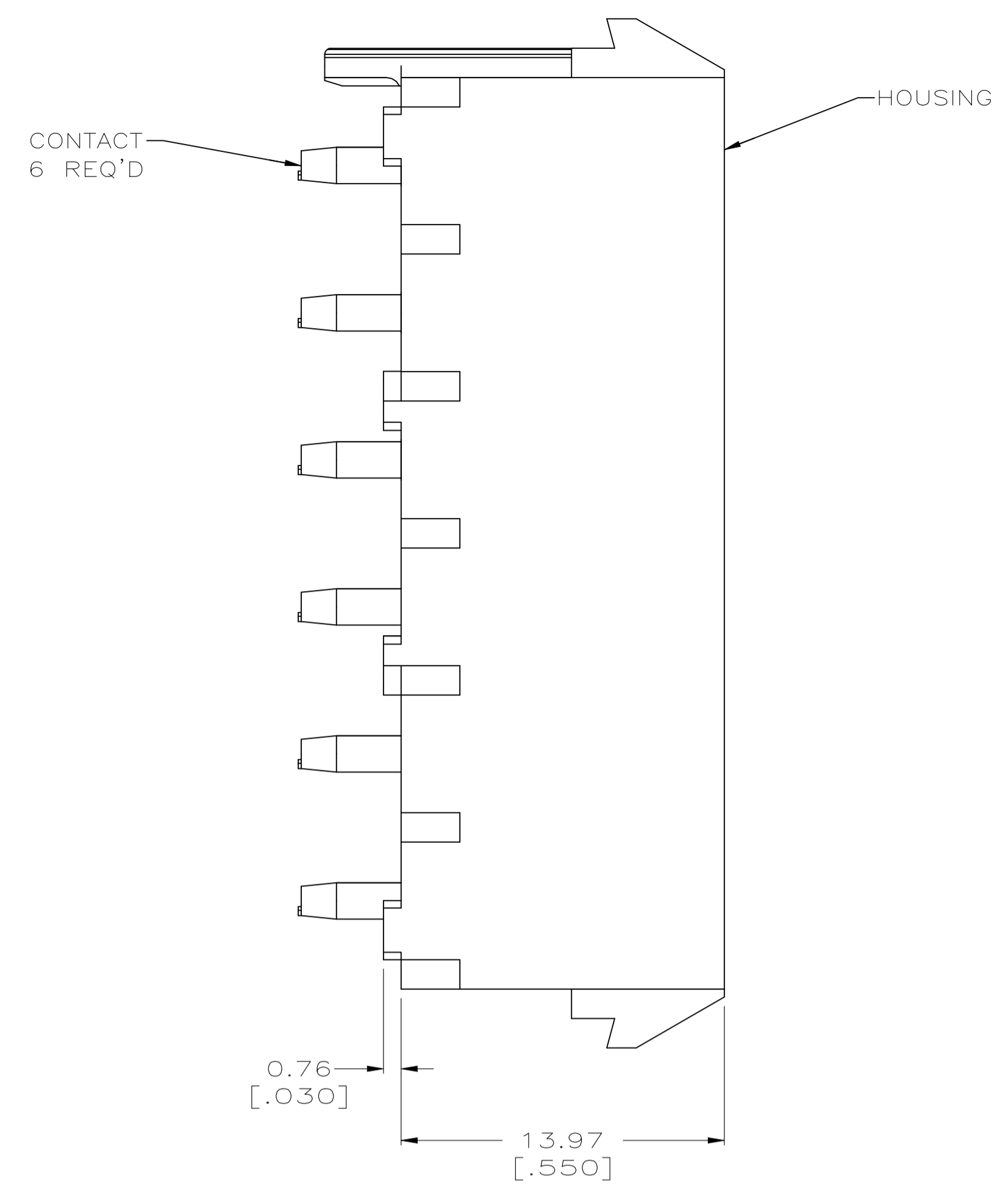
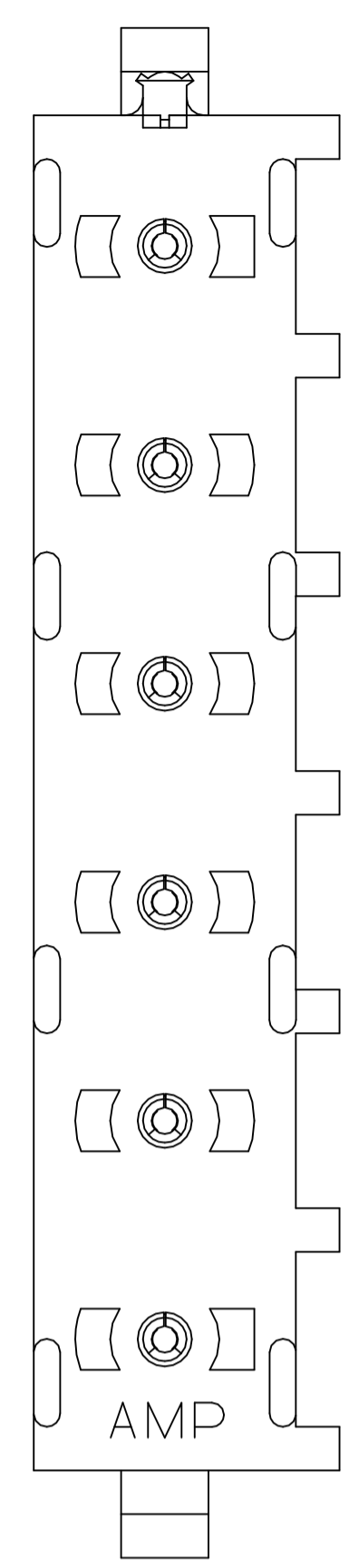
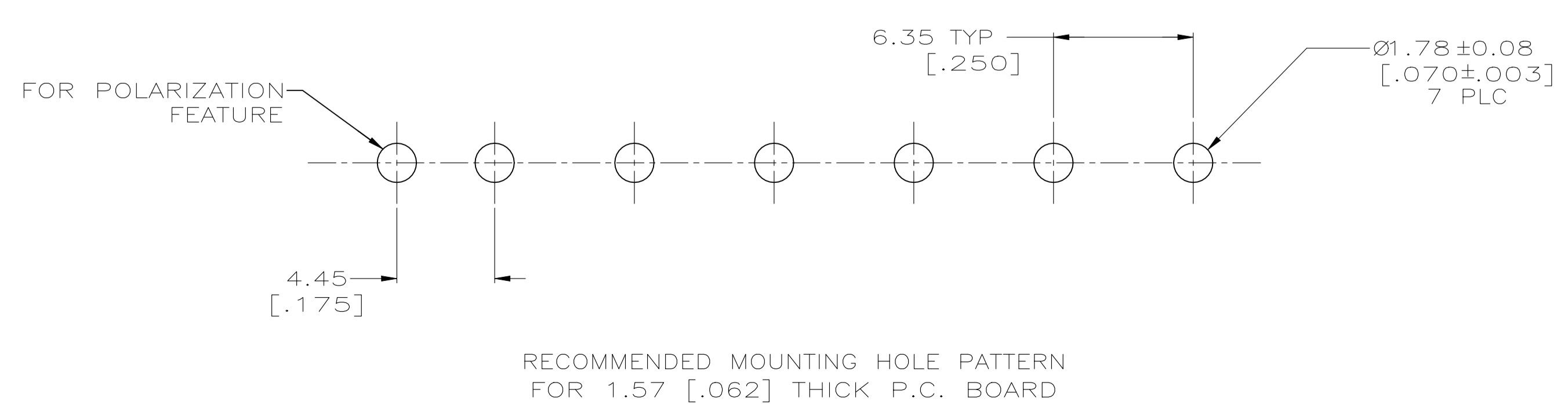
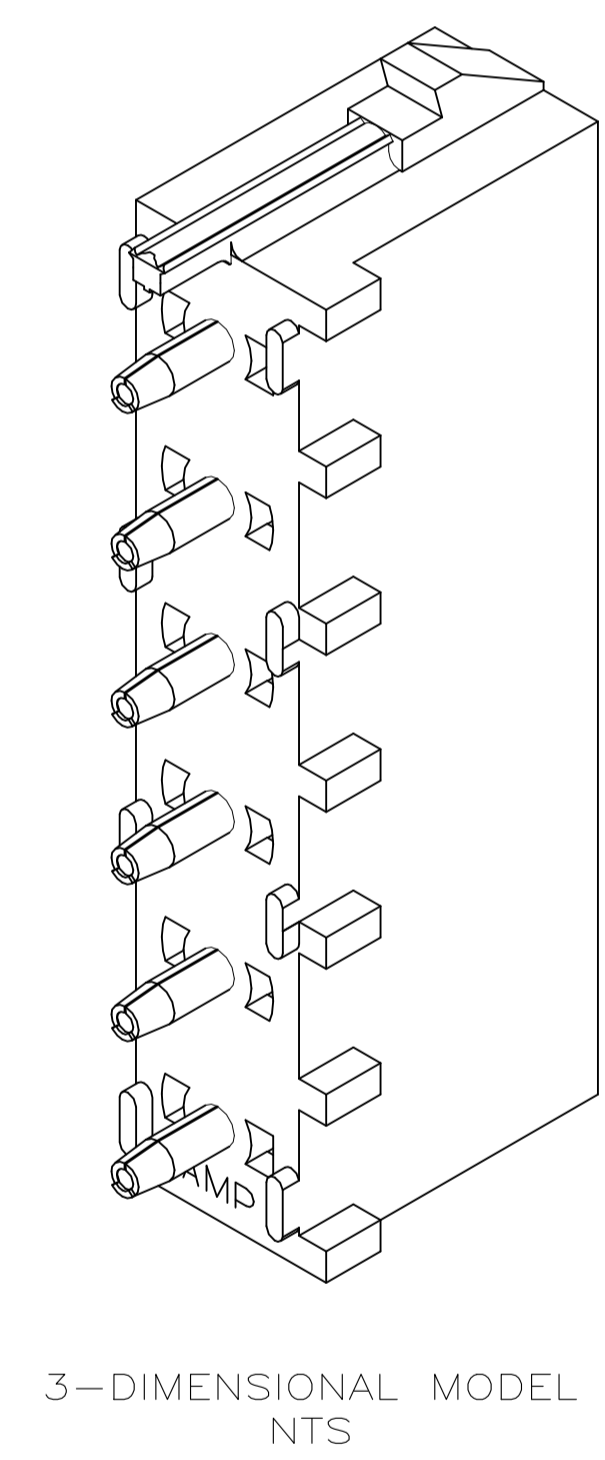
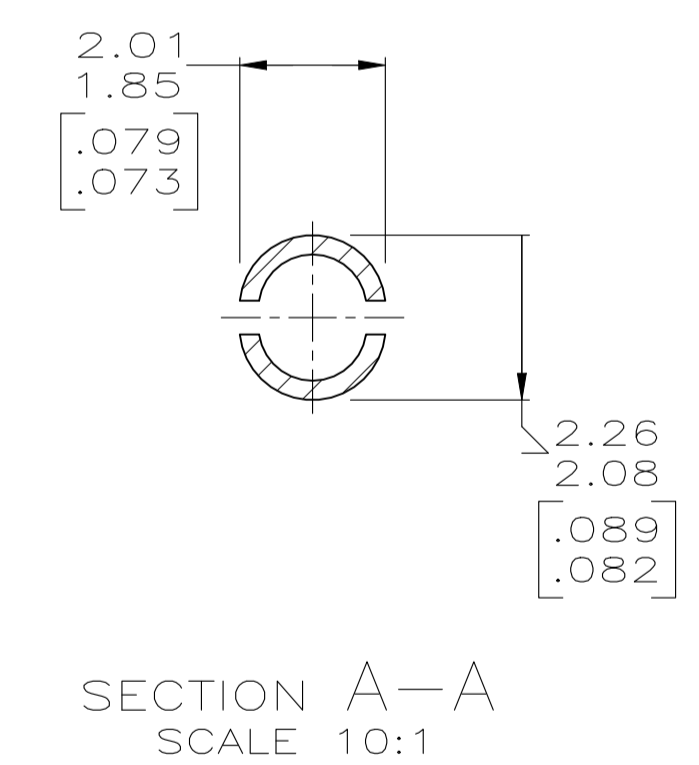
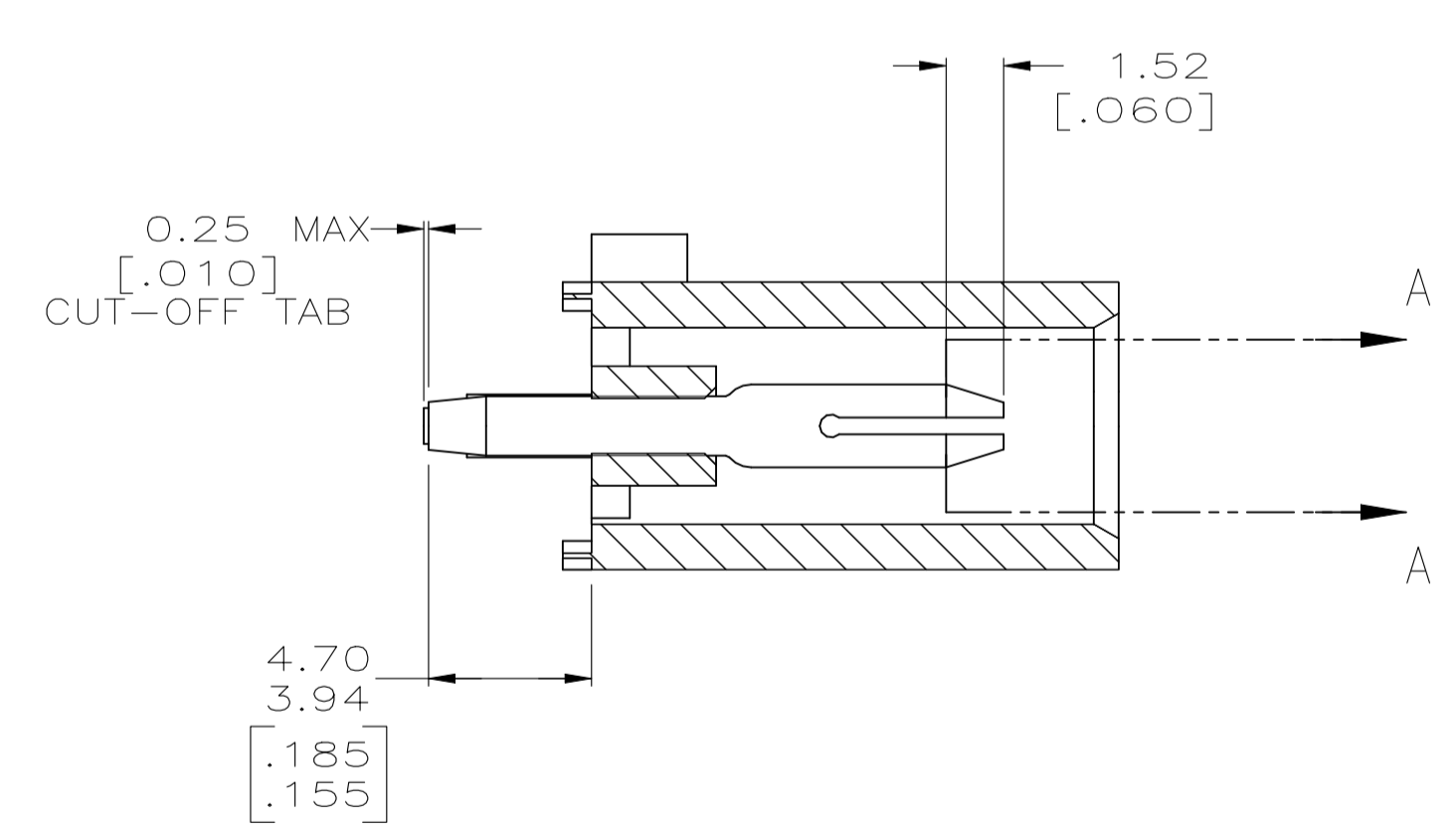


LOC	DIST	REVISIONS					
CM	00	P	LTR	DESCRIPTION	DATE	DWN	APVD
		L1		REVISED PER ECR-21-117154	01AUG2022	PJ	VS



- PARTS COMPLY TO AMP SOLDERABILITY SPECIFICATION 109-11-3.
- CIRCUIT IDENTIFICATION CHARACTERS ARE ADJACENT TO THE INDICATED CAVITIES, BUT LOCATION AND ORIENTATION MAY DIFFER FROM PRINT.
- DIMENSIONS IN BRACKETS ARE IN INCHES.
- IDENTIFICATION WILL APPEAR AT CIRCUIT NO. 1, OTHERS OPTIONAL.
- DIMENSION SHOWN REPRESENT PRODUCT IN DRY CONDITION. ADDITIONAL 2% GROWTH DUE TO END USE LOCATION MOISTURE ABSORPTION MAY OCCUR AND SHOULD BE ACCOUNTED FOR.



PHOSPHOR BRONZE, PRE-TIN	NYLON, UL94V-2, NATURAL	643407-1
PIN CONTACT MATERIAL AND FINISH	HOUSING MATERIAL	PART NO
THIS DRAWING IS A CONTROLLED DOCUMENT.		DWN L. McEACHIN 07-JAN-2000
DIMENSIONS: mm (INCHES)		CHK K. COBLE 07-JUN-2000
TOLERANCES UNLESS OTHERWISE SPECIFIED:		APVD K. COBLE 07-JUN-2000
0 PLC ±-	1 PLC ±-	NAME
2 PLC ±0.13 [.005]	3 PLC ±-	PRODUCT SPEC
4 PLC ±-	ANGLES ±-	APPLICATION SPEC
MATERIAL SEE TABLE	FINISH SEE TABLE	WEIGHT
CUSTOMER DRAWING		SCALE 5:1 SHEET 1 OF 1 REV L1

