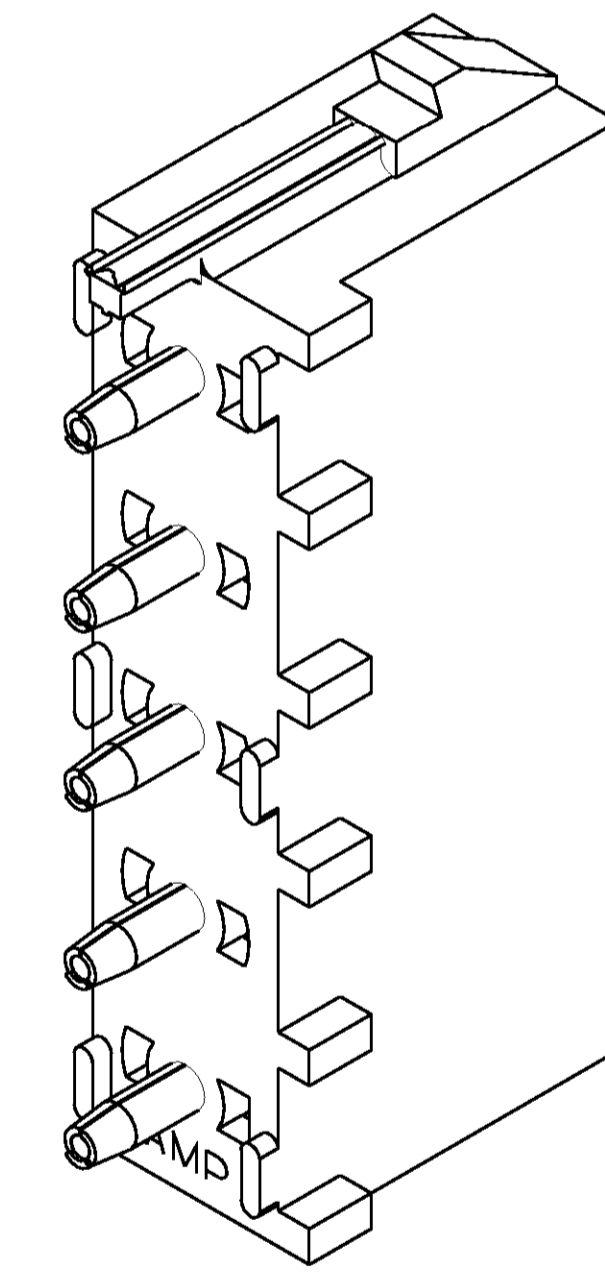
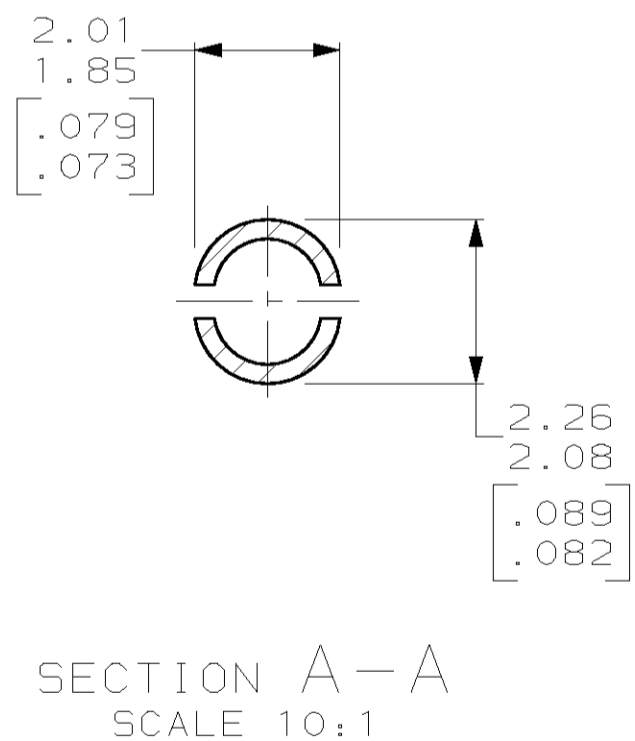
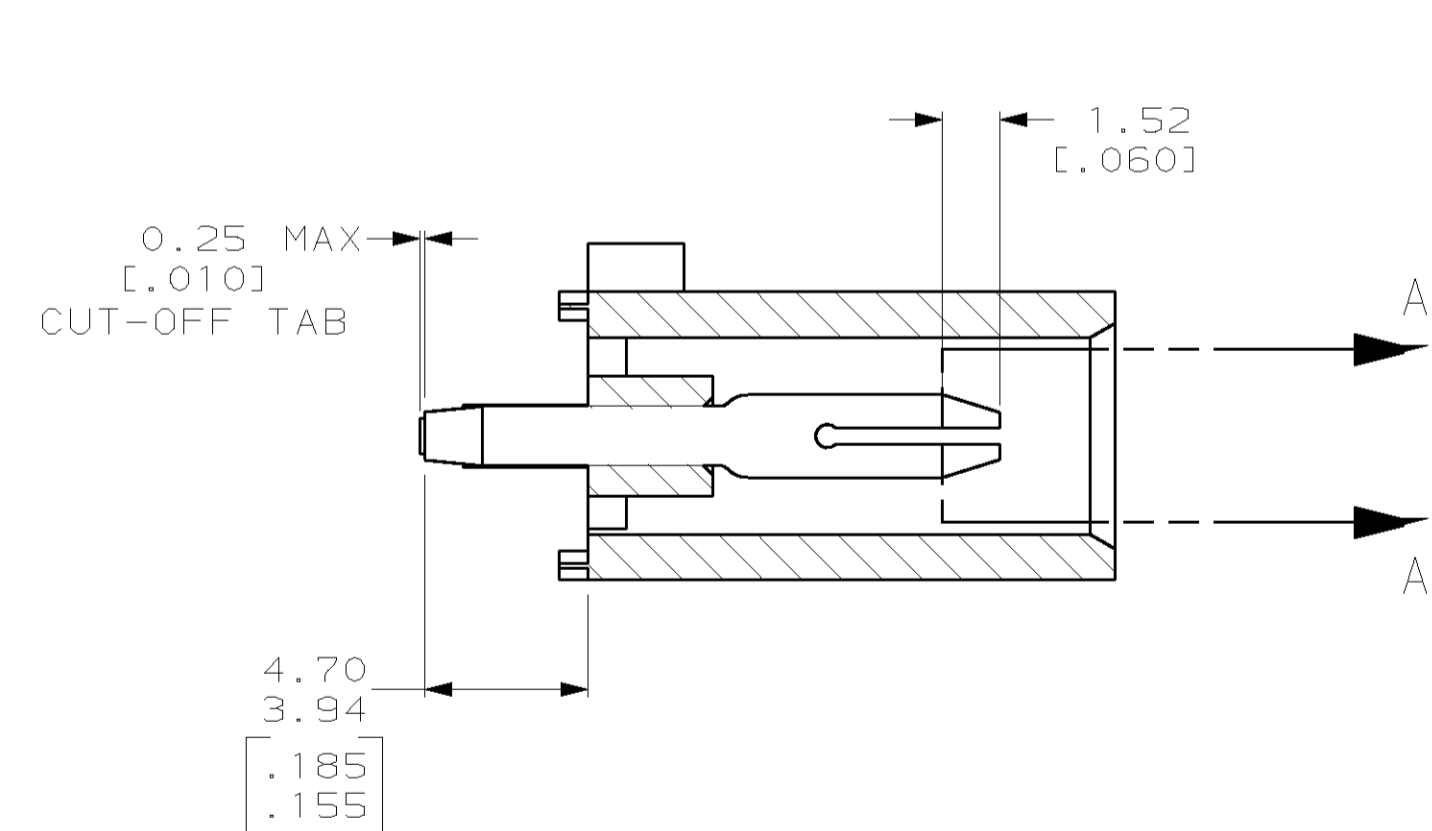
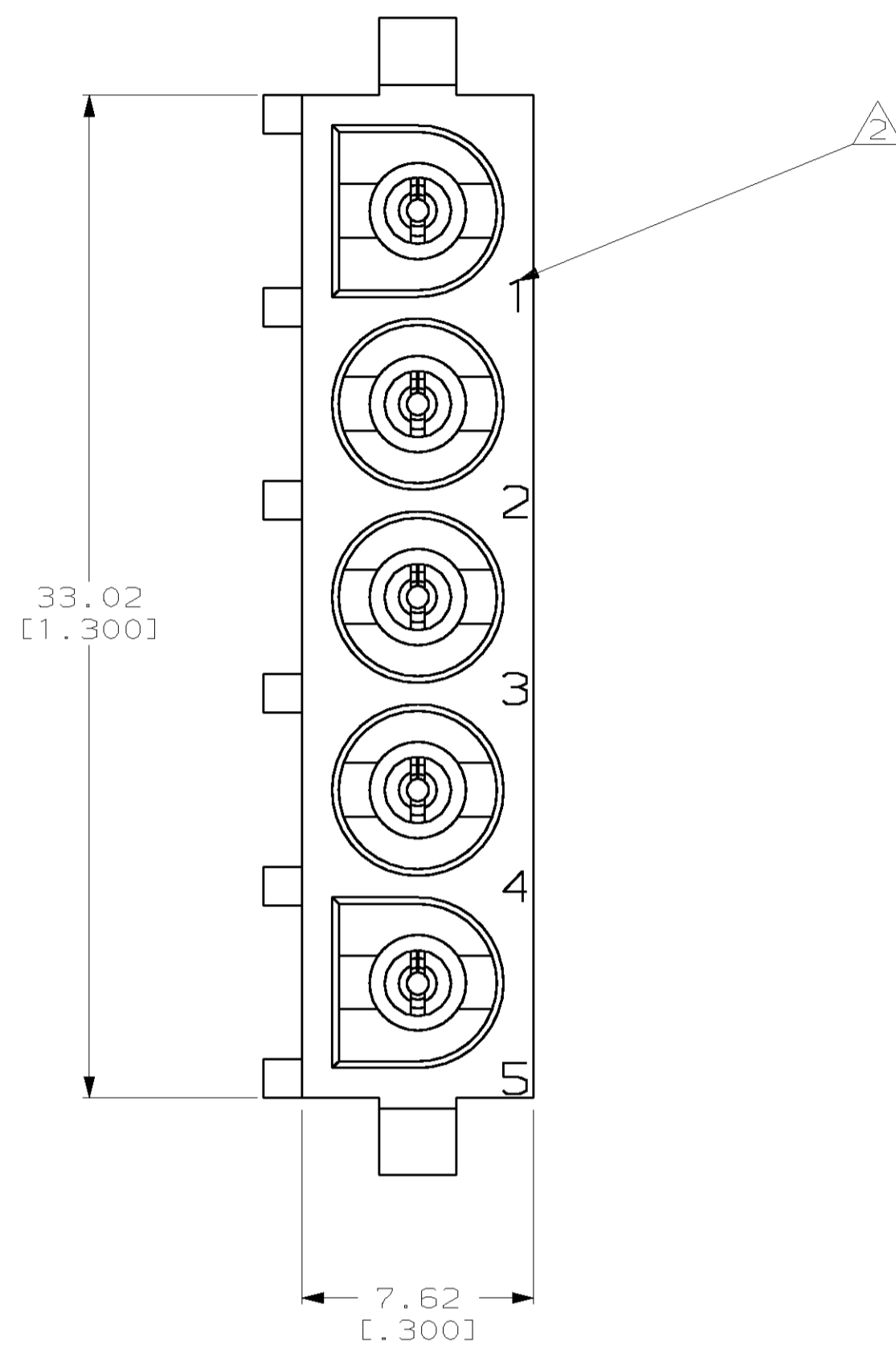
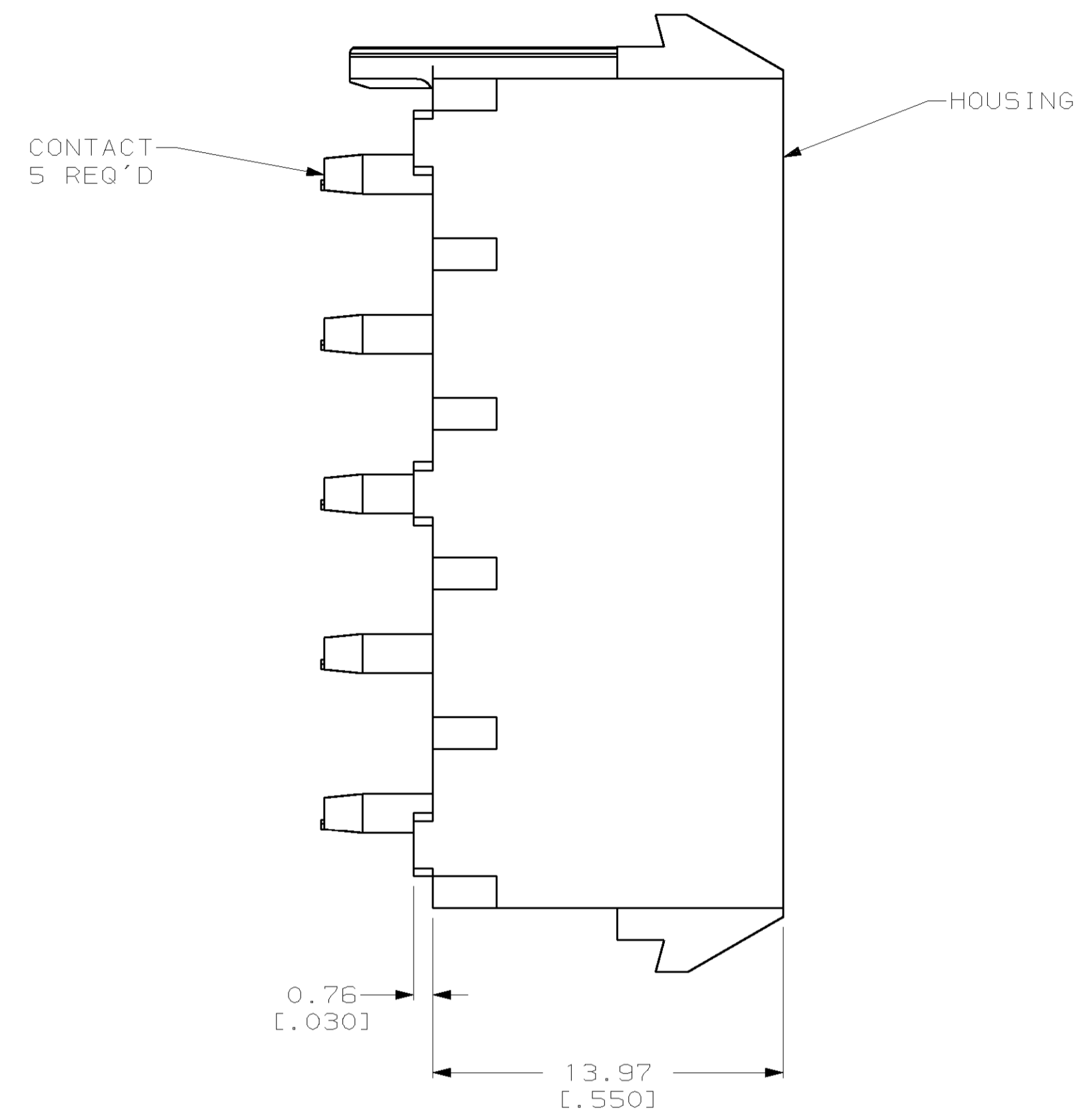
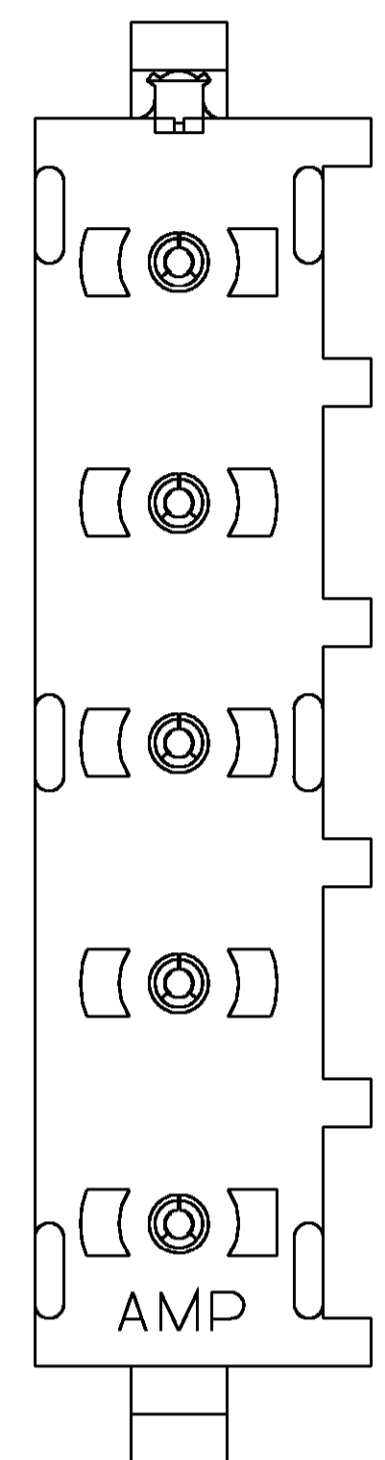


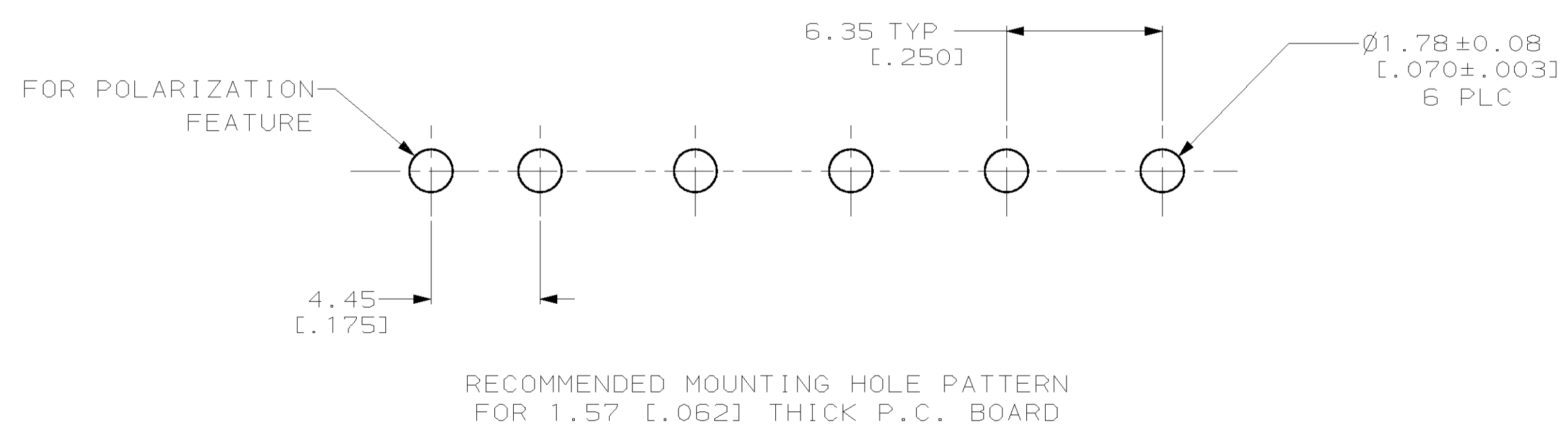
LOC	DIST	REVISIONS			
F	CHR	DESCRIPTION	DATE	OWN	APVD
N		REVISED PER EC 063B-0295-00	23-JUN-00	LM	KC

- PARTS COMPLY TO AMP SOLDERABILITY SPECIFICATION 109-11-3.
- CIRCUIT IDENTIFICATION CHARACTERS ARE ADJACENT TO THE INDICATED CAVITIES, BUT LOCATION AND ORIENTATION MAY DIFFER FROM PRINT.

4. DIMENSIONS IN BRACKETS ARE IN INCHES.



3-DIMENSIONAL MODEL  
NTS



PHOSPHOR BRONZE, PRE-TIN	NYLON, UL94V-0, BLACK	643406-3
PHOSPHOR BRONZE, PRE-TIN	NYLON, UL94V-0, WHITE	643406-1
PIN CONTACT MATERIAL AND FINISH	HOUSING MATERIAL	PART NO

THIS DRAWING IS A CONTROLLED DOCUMENT.		DWN L. McEACHIN 07-JAN-2000
DIMENSIONS: mm (INCHES)		CHK K. COBLE 07-JUN-2000
TOLERANCES UNLESS OTHERWISE SPECIFIED:		APVD K. COBLE 07-JUN-2000
0 PLC	±	NAME
1 PLC	±	PIN HEADER ASSEMBLY,
2 PLC	±0.13 (.005)	POLARIZED, 5 CIRCUIT,
3 PLC	±	UNIVERSAL MATE-N-LOK™
4 PLC	±	SIZE CAGE CODE DRAWING NO
ANGLES	±	A1 00779 C-643406
MATERIAL	SEE TABLE	FINISH
FINISH	SEE TABLE	WEIGHT
CUSTOMER DRAWING		SCALE 5:1 SHEET 1 OF 1 REV N

**AMP** AMP Incorporated  
Harrisburg, PA 17105-3608

