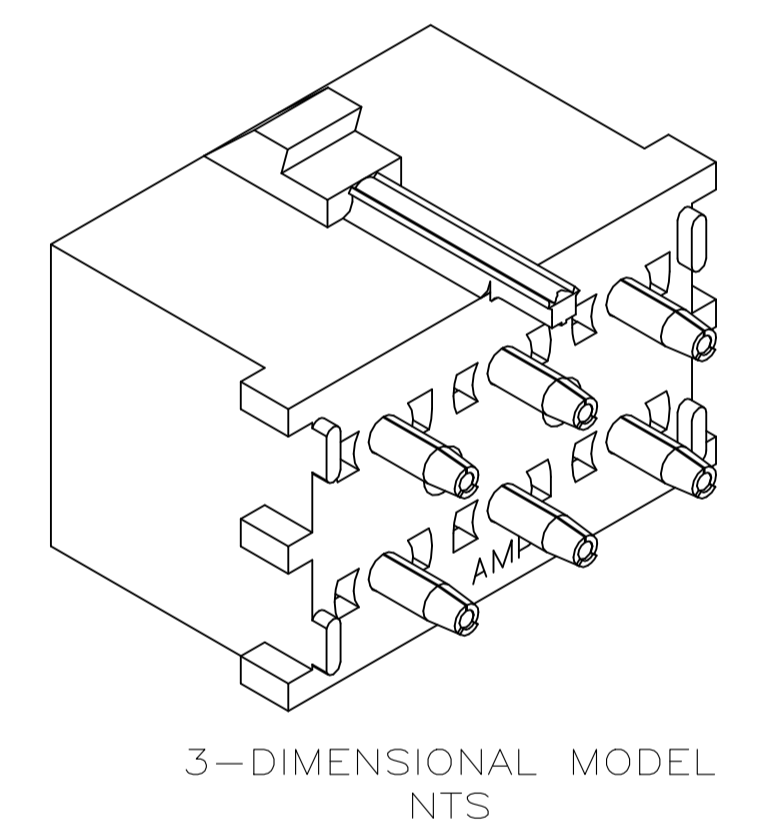
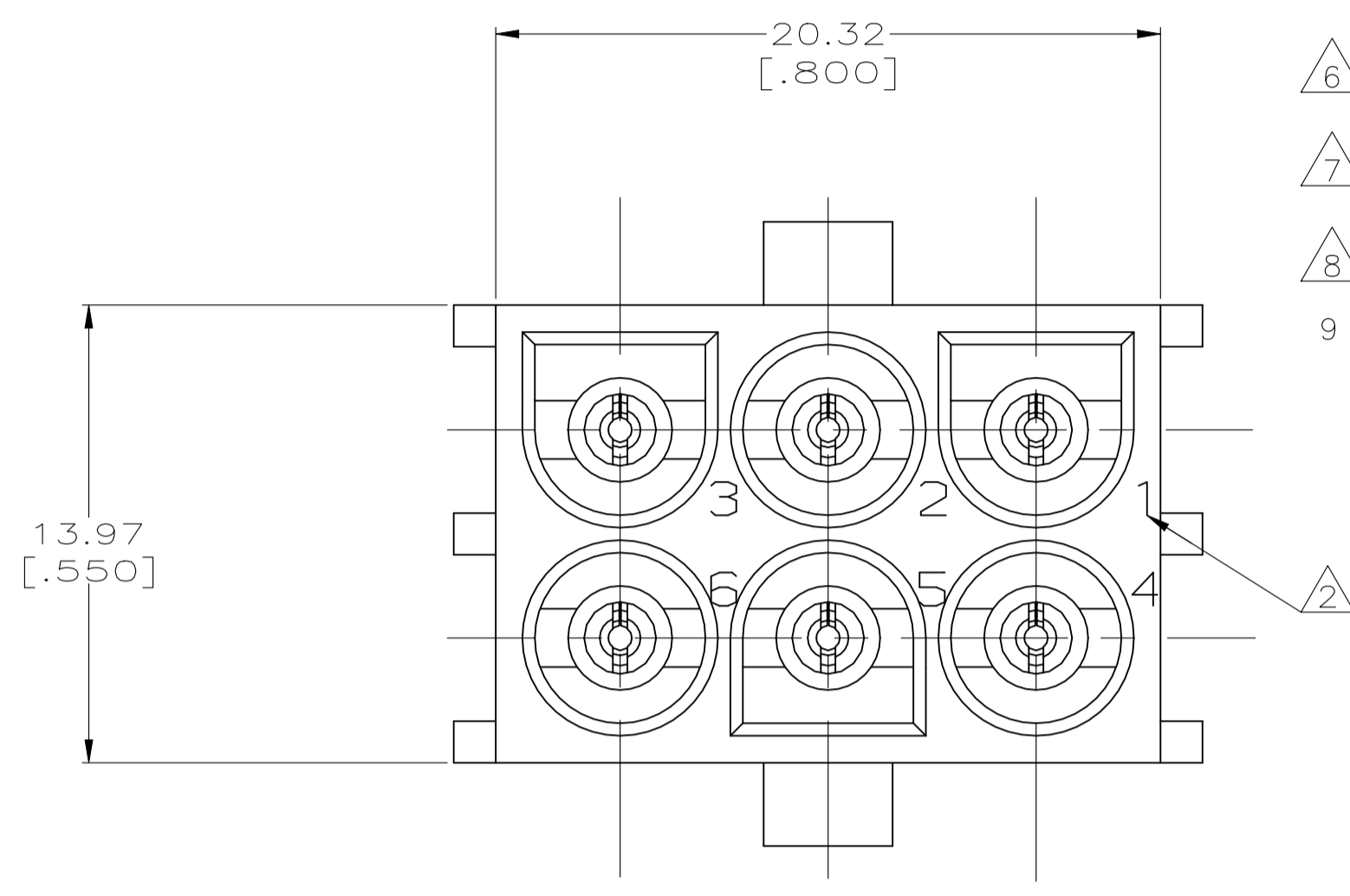
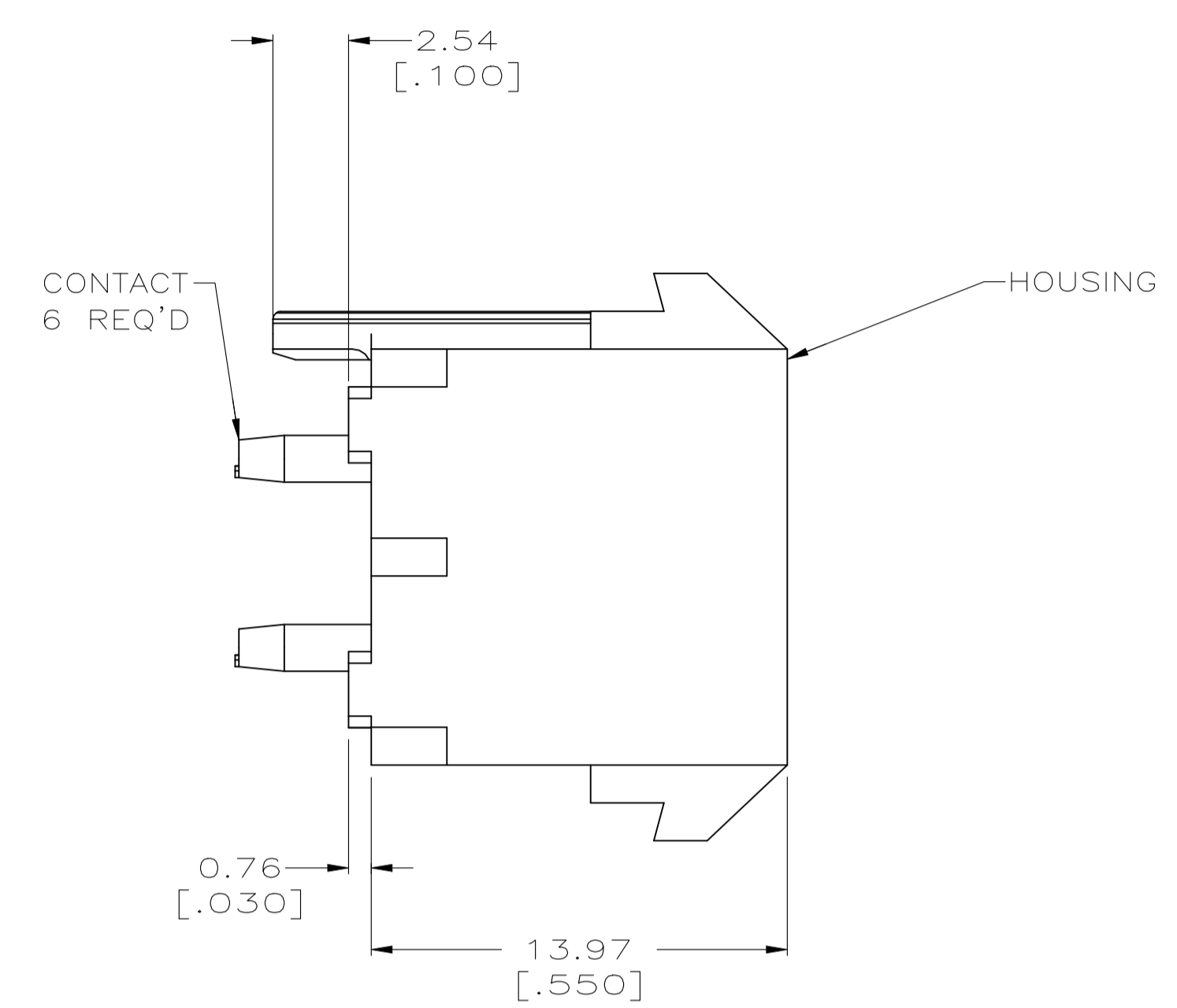
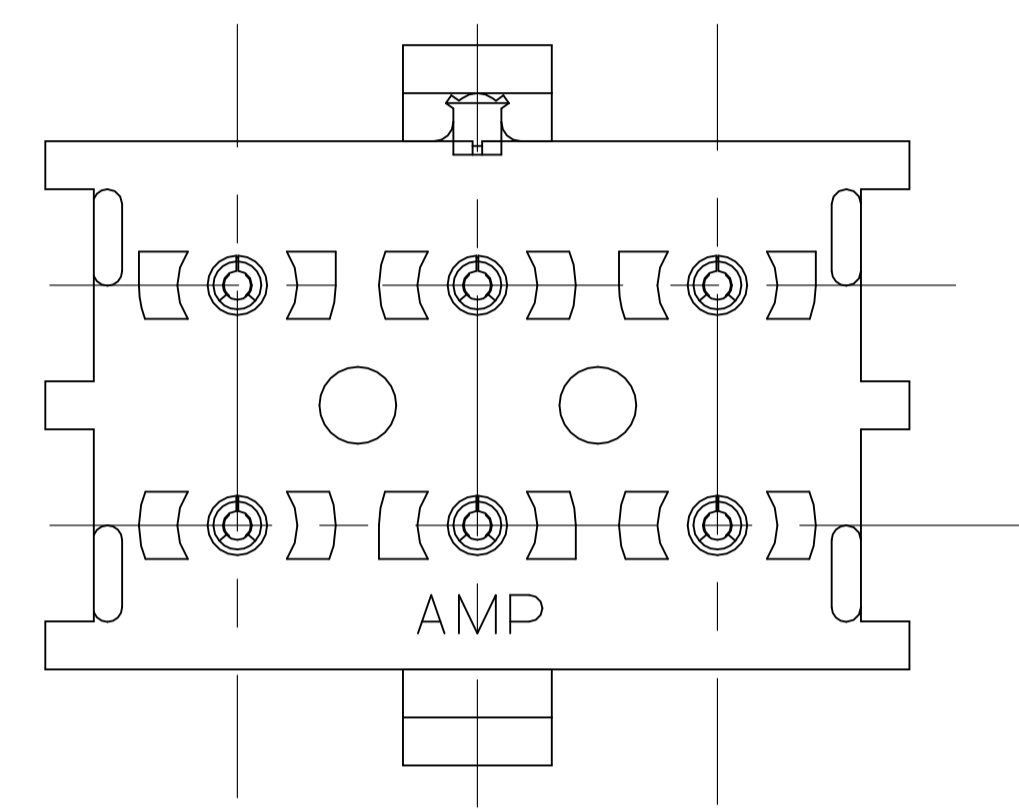
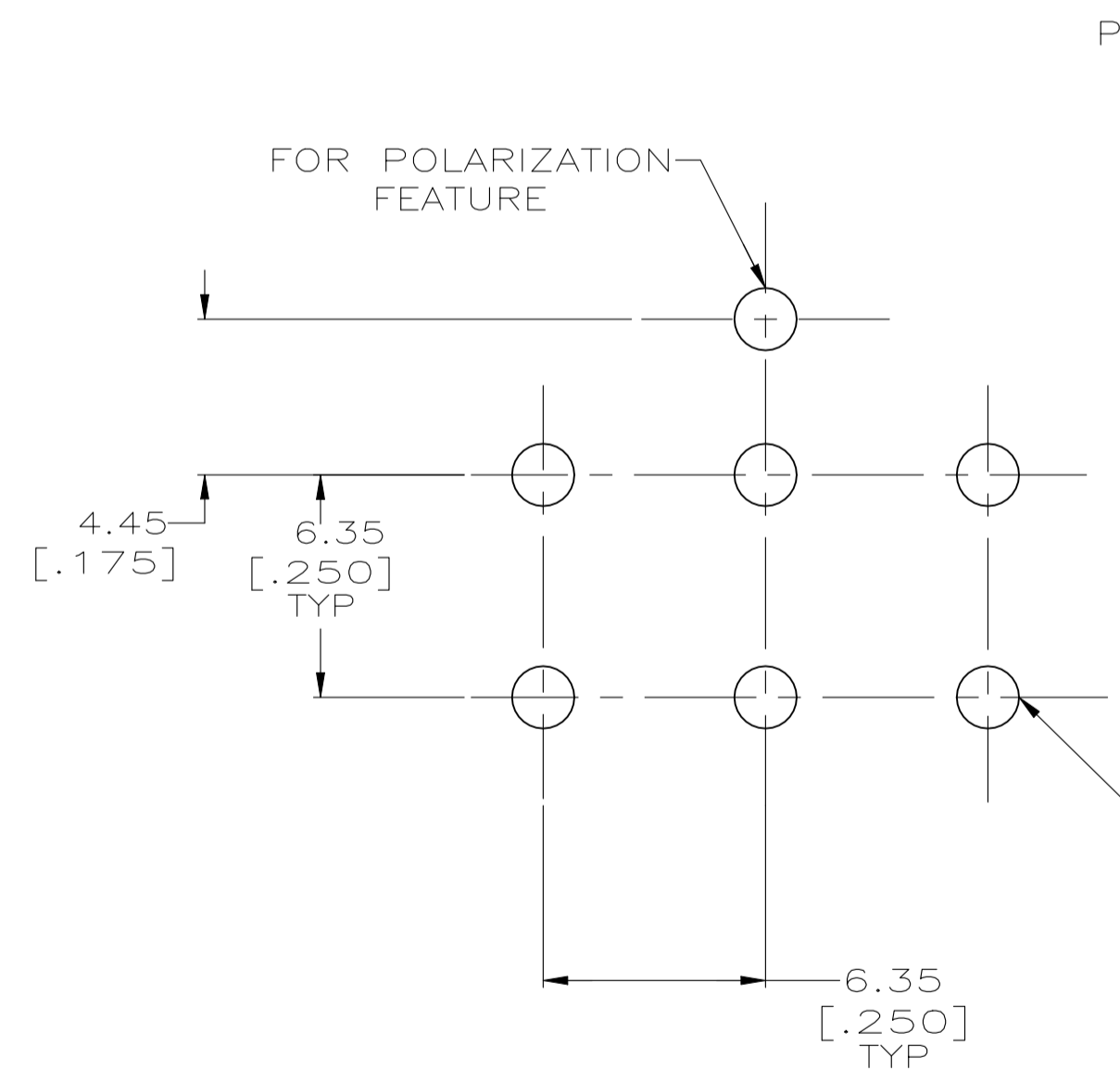


LOC		DIST		REVISIONS			
CM	00	REV	DATE	BY	APP'D	DATE	BY
R5	REVISED PER	ECR-21-118222	22JUL2022	JP	VS		

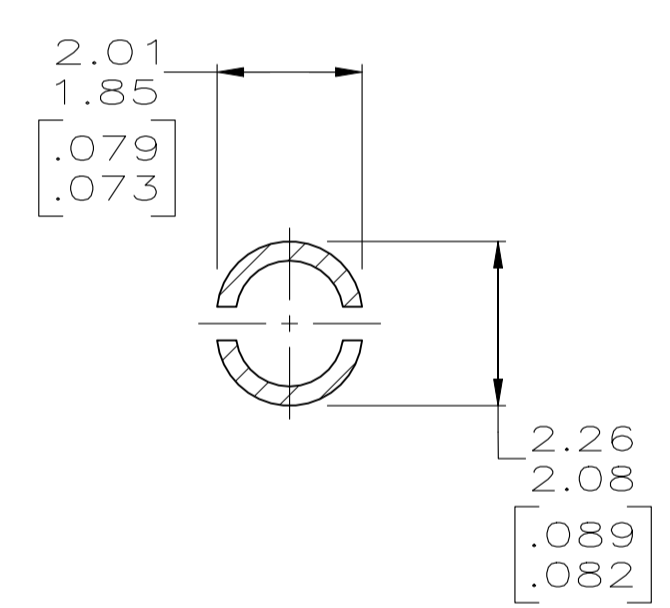
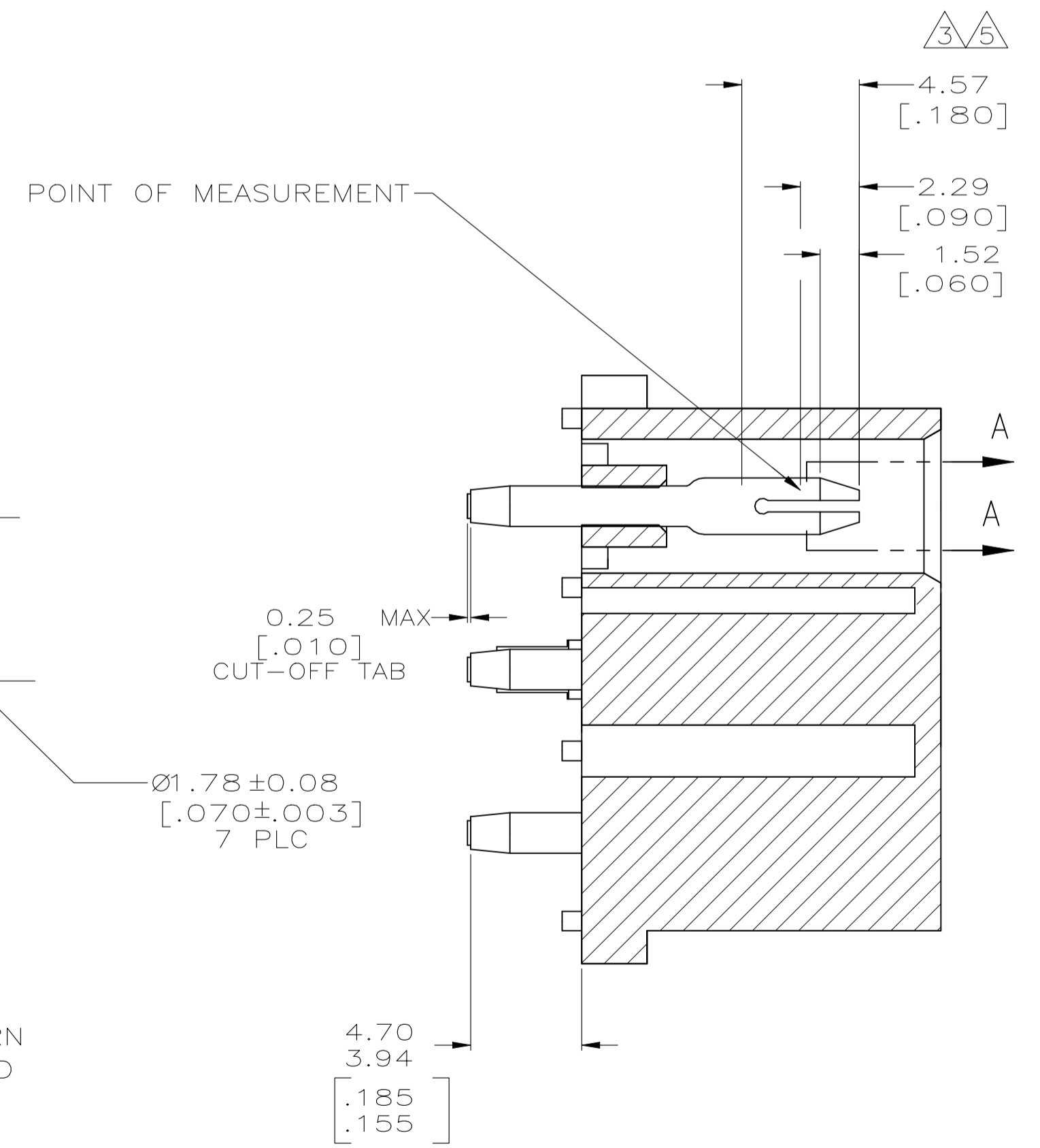
- 1 PARTS COMPLY WITH TE SOLDERABILITY SPECIFICATION 109-11-3.
- 2 CIRCUIT IDENTIFICATION CHARACTERS ARE ADJACENT TO THE INDICATED CAVITIES, BUT LOCATION AND ORIENTATION MAY DIFFER FROM PRINT.
- 3 CONTACT IS PLATED OVERALL WITH 0.00127 [.000050] NICKEL, THEN 0.00076 [.000030] GOLD OVER CONTACT LENGTH INDICATED AND MATTE TIN LEAD ON SOLDER TAIL END.
- 4 DIMENSIONS IN BRACKETS ARE IN INCHES.
- 5 CONTACT IS PLATED OVERALL WITH 0.00127 [.000050] NICKEL, THEN 0.00076 [.000030] GOLD OVER CONTACT LENGTH INDICATED AND MATTE TIN ON SOLDER TAIL END.
- 6 SUPERSEDED BY 641970-3
- 7 MATERIAL CORRESPONDING TO THE REQUIREMENT OF IEC 60335. (INL GLOW WIRE TEST 750°C WITHOUT FLAME)
- 8 PRELIMINARY PART NOT RELEASED FOR PRODUCTION.
- 9 DIMENSIONS SHOWN REPRESENT PRODUCT IN DRY CONDITION. ADDITIONAL 2% GROWTH DUE TO END USE LOCATION MOISTURE ABSORPTION MAY OCCUR AND SHOULD BE ACCOUNTED FOR.



3-DIMENSIONAL MODEL NTS



RECOMMENDED MOUNTING HOLE PATTERN FOR 1.57 [.062] THICK P.C. BOARD



SECTION A-A SCALE 10:1

MATERIAL	FINISH	MATERIAL	COLOR	PART NO
PH BRZ	TIN PLATED	NYLON, UL94V-2	NATURAL	641970-5
PH BRZ	TIN PLATED	NYLON, UL94V-0	NATURAL	641970-4
PH BRZ	GOLD PLATED	NYLON, UL94V-0	WHITE	641970-3
PH BRZ	TIN PLATED	NYLON, UL94V-0	BLACK	1-641970-1
PH BRZ	GOLD PLATED	NYLON, UL94V-0	WHITE	641970-2
PH BRZ	TIN PLATED	NYLON, UL94V-0	WHITE	641970-1

THIS DRAWING IS A CONTROLLED DOCUMENT.		DIN 8-27-97	TE Connectivity	
DIMENSIONS: mm [INCHES]		APPROVED: M. TRULL	NAME: PIN HEADER ASSEMBLY, POLARIZED, 6 CIRCUIT, UNIVERSAL MATE-N-LOK™	
TOLERANCES UNLESS OTHERWISE SPECIFIED:		SIZE: A1	CAGE CODE: 00779	DRAWING NO: 641970
0. PLC	± -	WEIGHT: -	SCALE: 5:1	SHEET 1 OF 1
1. PLC	± -	CUSTOMER DRAWING	REV: R5	
2. PLC	± -			
3. PLC	± 0.13 [.005]			
4. PLC	± -			
ANGLES	± -			