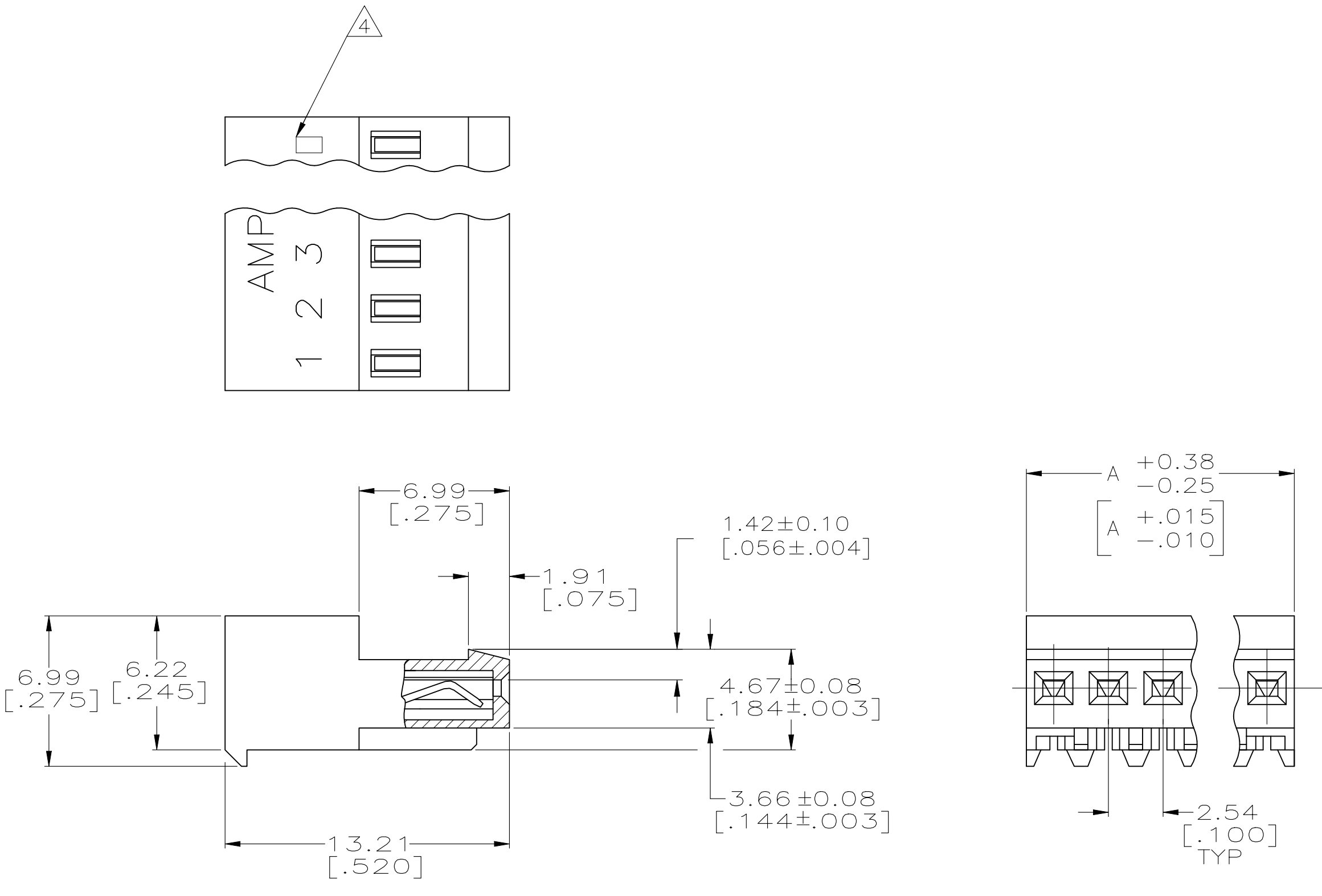


REVISIONS				
REV	DATE	DESCRIPTION	BY	APPD
U1	06DEC2022	REVISED PER ECR-22-159429	MV	JP



- ① MATERIAL: CONNECTOR-NYLON UL94V-2 (WHITE).
 CONTACTS-0.30 [.012] THICK COPPER ALLOY
 0.00038 [.000015] GOLD OR 0.00038 [.000015]
 TOTAL GOLD FLASH OVER PALLADIUM NICKEL,
 PER TE CONNECTIVITY'S DISCRETION, IN CONTACT
 AREA WITH MATTE TIN FOR 641191-2 THRU
 2-641191-8, MATTE WHISKER MITIGATED TIN
 FOR 3-641191-2 THRU 5-641191-8 OVER
 NICKEL UNDERPLATE.
2. CONTACTS ACCEPT 24 AWG WIRE WITH 1.52 [.060] MAX INSULATION DIAMETER.
3. CONTACTS MUST ACCEPT 0.64±0.03 [.025±.001] SQUARE POST AND REMAIN LOCKED IN POSITION.
- ④ IDENTIFICATION NUMBER FOR LAST CIRCUIT MAY NOT APPEAR ON ALL ASSEMBLIES.
5. DIMENSIONS IN BRACKETS ARE IN INCHES.
6. HOUSING FEATURES ARE: CLOSED END WITH LOCKING RAMP.
- ⑦ OBSOLETE PARTS: OBSOLETE CIS STREAMLINING PER D.RENAUD/D.SINISI

DIM A	NO.OF POSN	ASSEMBLY
71.12 [2.800]	28	5-641191-8
66.04 [2.600]	27	5-641191-7
63.50 [2.500]	26	5-641191-6
63.50 [2.500]	25	5-641191-5
60.96 [2.400]	24	5-641191-4
58.42 [2.300]	23	5-641191-3
55.88 [2.200]	22	5-641191-2
53.34 [2.100]	21	5-641191-1
50.80 [2.000]	20	5-641191-0
48.26 [1.900]	19	4-641191-9
45.72 [1.800]	18	4-641191-8
43.18 [1.700]	17	4-641191-7
40.64 [1.600]	16	4-641191-6
38.10 [1.500]	15	4-641191-5
35.56 [1.400]	14	4-641191-4
33.02 [1.300]	13	4-641191-3
30.48 [1.200]	12	4-641191-2
27.94 [1.100]	11	4-641191-1
25.40 [1.000]	10	4-641191-0
22.86 [.900]	9	3-641191-9
20.32 [.800]	8	3-641191-8
17.78 [.700]	7	3-641191-7
15.24 [.600]	6	3-641191-6
12.70 [.500]	5	3-641191-5
10.16 [.400]	4	3-641191-4
7.62 [.300]	3	3-641191-3
5.08 [.200]	2	3-641191-2
DIM A	NO.OF POSN	ASSEMBLY

① SUPERCEDED BY 5-641191-8
 ① SUPERCEDED BY 5-641191-7
 ① SUPERCEDED BY 5-641191-6
 ① SUPERCEDED BY 5-641191-5
 ① SUPERCEDED BY 5-641191-4
 ① SUPERCEDED BY 5-641191-3
 ① SUPERCEDED BY 5-641191-2
 ① SUPERCEDED BY 5-641191-1
 ① SUPERCEDED BY 5-641191-0
 ① SUPERCEDED BY 4-641191-9
 ① SUPERCEDED BY 4-641191-8
 ① SUPERCEDED BY 4-641191-7
 ① SUPERCEDED BY 4-641191-6
 ① SUPERCEDED BY 4-641191-5
 ① SUPERCEDED BY 4-641191-4
 ① SUPERCEDED BY 4-641191-3
 ① SUPERCEDED BY 4-641191-2
 ① SUPERCEDED BY 4-641191-1
 SUPERCEDED BY 4-641191-0
 ① SUPERCEDED BY 3-641191-9
 SUPERCEDED BY 3-641191-8
 ① SUPERCEDED BY 3-641191-7
 SUPERCEDED BY 3-641191-6
 SUPERCEDED BY 3-641191-5
 SUPERCEDED BY 3-641191-4
 SUPERCEDED BY 3-641191-3
 SUPERCEDED BY 3-641191-2

DIM A	NO.OF POSN	ASSEMBLY
71.12 [2.800]	28	2-641191-8
66.04 [2.600]	27	2-641191-7
63.50 [2.500]	26	2-641191-6
63.50 [2.500]	25	2-641191-5
60.96 [2.400]	24	2-641191-4
58.42 [2.300]	23	2-641191-3
55.88 [2.200]	22	2-641191-2
53.34 [2.100]	21	2-641191-1
50.80 [2.000]	20	2-641191-0
48.26 [1.900]	19	1-641191-9
45.72 [1.800]	18	1-641191-8
43.18 [1.700]	17	1-641191-7
40.64 [1.600]	16	1-641191-6
38.10 [1.500]	15	1-641191-5
35.56 [1.400]	14	1-641191-4
33.02 [1.300]	13	1-641191-3
30.48 [1.200]	12	1-641191-2
27.94 [1.100]	11	1-641191-1
25.40 [1.000]	10	1-641191-0
22.86 [.900]	9	-641191-9
20.32 [.800]	8	-641191-8
17.78 [.700]	7	-641191-7
15.24 [.600]	6	-641191-6
12.70 [.500]	5	-641191-5
10.16 [.400]	4	-641191-4
7.62 [.300]	3	-641191-3
5.08 [.200]	2	-641191-2
DIM A	NO.OF POSN	ASSEMBLY

THIS DRAWING IS A CONTROLLED DOCUMENT.

DIMENSIONS: mm [INCHES]	TOLERANCES UNLESS OTHERWISE SPECIFIED:	DRAWN: S. HOOVER 20-DEC-2004	CHK: D. BOSSI 20-DEC-2004	APPROVED: D. BOSSI 20-DEC-2004	NAME: MTA .100 CONNECTOR ASSEMBLY 24 AWG, STANDARD
0. PLC ±	1. PLC ±	2. PLC ±	3. PLC ±	4. PLC ±	ANGLES ±
		± 0.13 [.005]		PRODUCT SPEC: 108-1050 APPLICATION SPEC: 114-1019	
MATERIAL: ①	FINISH: ①	WEIGHT: -	SIZE: A1	CAGE CODE: 00779	DRAWING NO: 641191
CUSTOMER DRAWING			SCALE: 5:1	SHEET: 1 of 1	REV: U1