

4

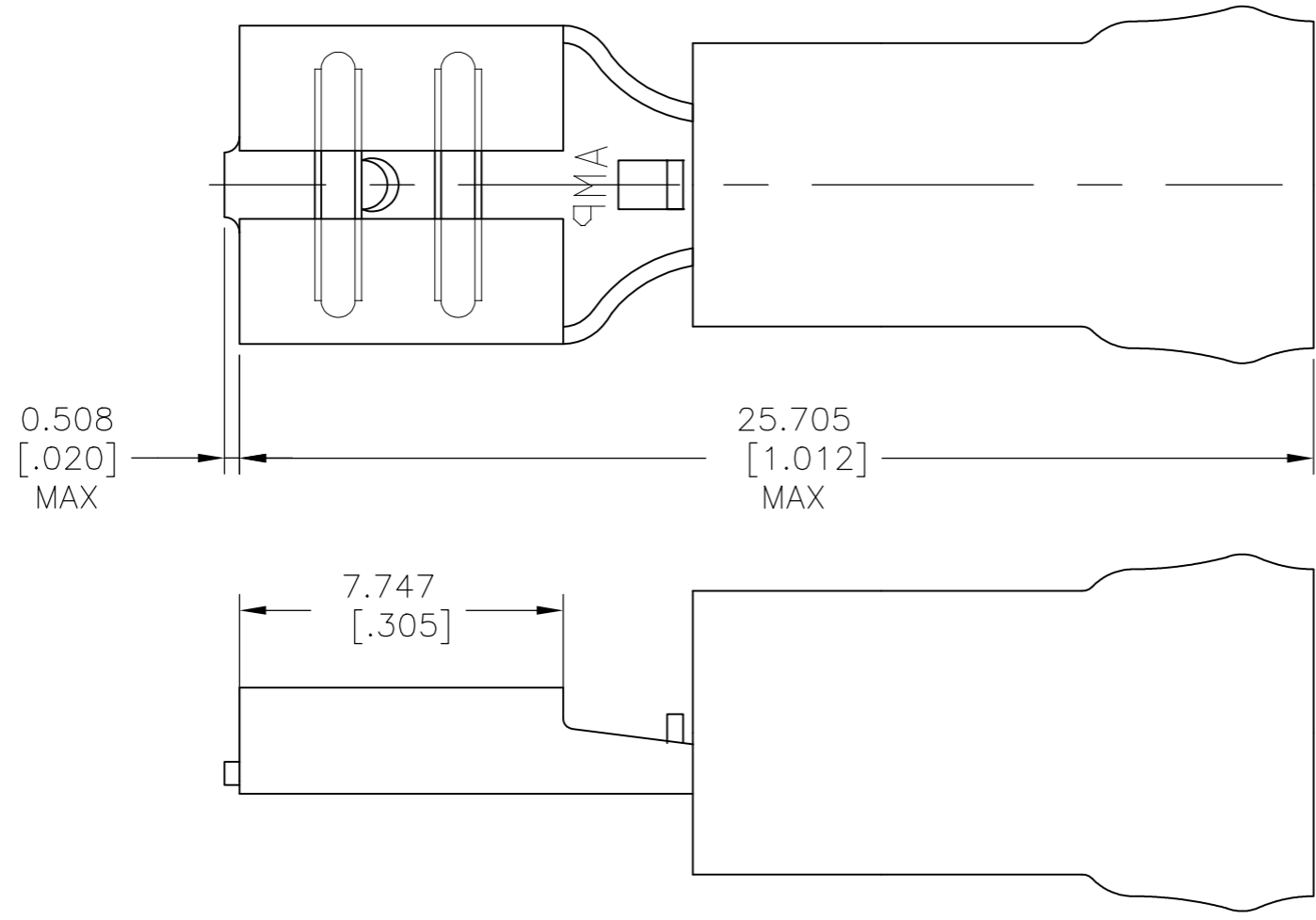
3

2

1

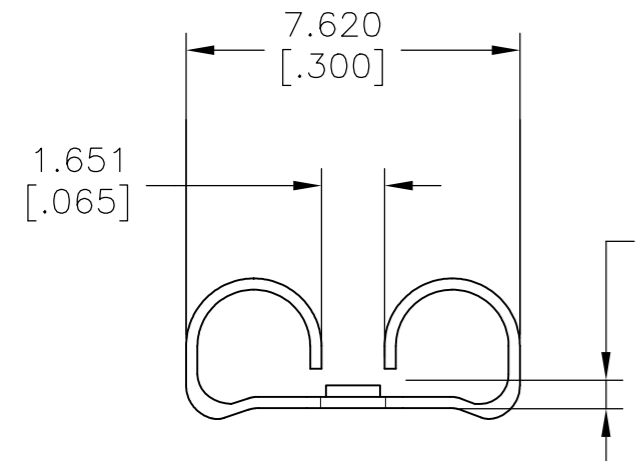
THIS DRAWING IS UNPUBLISHED. RELEASED FOR PUBLICATION  
 © COPYRIGHT - By - ALL RIGHTS RESERVED.

REVISIONS					
P	LTR	DESCRIPTION	DATE	DWN	APVD
	J2	REVISED PER ECO-11-004587	11MAR11	RK	HMR
	J3	REVISED PER ECO-18-014192	07SEP2018	RS	DR



1. INSULATION DIA .250 MAX
  2. FITS TAB .032 THK
- △ 3 FINISH:  
 BODY & SLEEVE: 0.00254[.000100]  
 MIN THK TIN PER ASTM B545

<b>AMP</b> WIRE RANGE	FILE E66717	LR7189 Certified
12-10 AWG STRANDED	12-10 AWG STRANDED	12-10 AWG STRANDED



FITS "250" SERIES  
FASTON TAB

100	LOOSE PC,BOX	8-640907-1
2500	TAPE MOUNTED	640907-2
500	LOOSE PIECE	640907-1
QTY	PACKAGE TYPE	PART NO

TE CONNECTIVITY CUSTOMER SERVICE SYSTEM	
FOR ADDITIONAL PRODUCT INFORMATION OR COPIES OF DRAWING AND TECHNICAL DOCUMENTS	PRODUCT INFORMATION CENTER 1-800-522-6752
FOR APPLICATION TOOLING INFORMATION	TOOLING ASSISTANCE CENTER 1-800-722-1111
FOR ORDER ENTRY	1-800-526-5142

MAX RECOMMENDED OPERATING TEMPERATURE: 105°C[221°F] -
VOLTAGE RATING: 300V MAX -
CIRCULAR MIL AREA: 5,180-13,100 STRANDED

THIS DRAWING IS A CONTROLLED DOCUMENT.	
DIMENSIONS: mm [INCHES]	TOLERANCES UNLESS OTHERWISE SPECIFIED:
	0 PLC ± - 1 PLC ± - 2 PLC ± - 3 PLC ± 0.381[.015] 4 PLC ± - ANGLES ± -
MATERIAL BODY,BRASS .018 THK PER ASTM B36	FINISH △ 3

DWN L OLMEDA 26JUN95
CHK M ELLIS 26JUN95
APVD B BARE 26JUN95
PRODUCT SPEC UL 310
APPLICATION SPEC 114-1002
WEIGHT
CUSTOMER DRAWING

TE Connectivity			
NAME RECEPTACLE, 250 SERIES, FASTON , PIDG , 12-10 AWG			
SIZE A3	CAGE CODE 00779	DRAWING NO C-640907	RESTRICTED TO -
SCALE 6:1	SHEET 1 OF 1	REV J3	