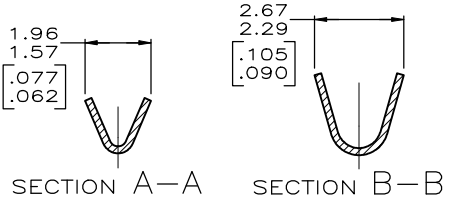
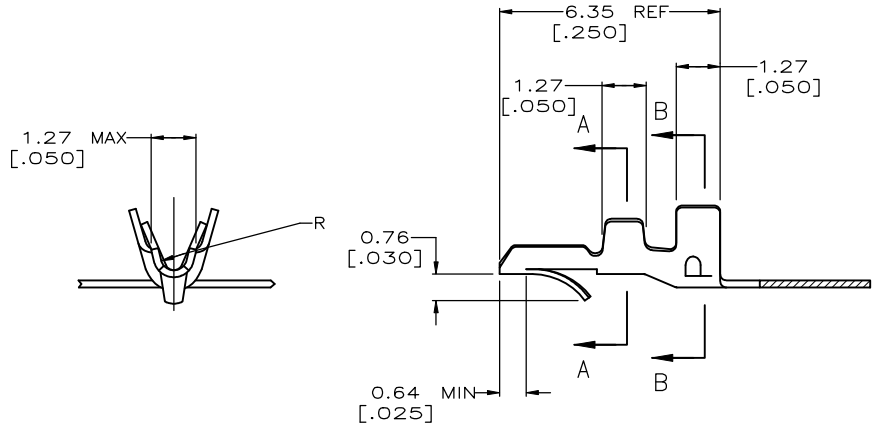
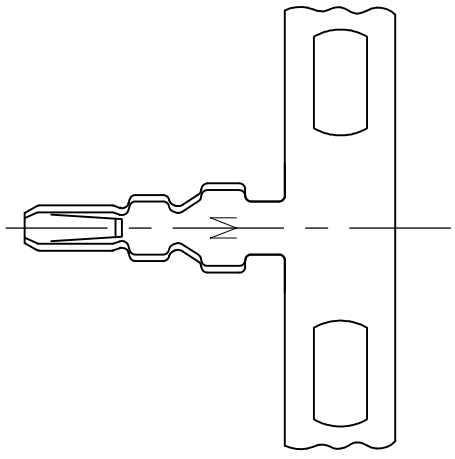
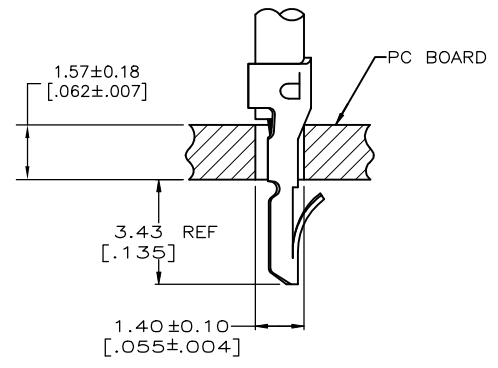


THIS DRAWING IS UNPUBLISHED. RELEASED FOR PUBLICATION
 © COPYRIGHT - By - ALL RIGHTS RESERVED.

REVISIONS				
NO	DATE	DESCRIPTION	BY	APP'D
1	J2	REVISED PER ECO-17-013369	J.Z	D.Z



METRIC

- PARTS COMPLY WITH AMP SOLDERABILITY SPEC 109-11-3.
- PARTS CAPABLE OF BEING APPLIED BY AMPOMATER.
- 0.00508 [.000200] MIN BRIGHT TIN-LEAD.
- WIRE RANGE: 0.12 - 0.4 mm² (26 - 22 AWG).
- INSULATION RANGE: 1.02 - 1.78 [.040 - .070] DIA.
- DIMENSIONS IN BRACKETS ARE IN INCHES.
- 0.00508 [.000200] MIN BRIGHT TIN.

	Δ	0.20[.008] PH BRZ	3-640663-1
OBSOLETE	Δ	0.20[.006] PH BRZ	640663-1
	FINISH	MATERIAL	PART NO

THIS DRAWING IS A CONTROLLED DOCUMENT.		DWN S. CARPENTER	21AUG2003	TE TE Connectivity Ltd.	
DIMENSIONS: INCHES		CHK J. ELLIS	21AUG2003		
TOLERANCES UNLESS OTHERWISE SPECIFIED:		NAME J. ELLIS		PRODUCT SPEC	
0 PLC ±		APPLICATION SPEC		RESTRICTED TO	
1 PLC ±		114-1016		-	
2 PLC ±		WEIGHT 0.000000		SIZE CAGE CODE DRAWING NO	
3 PLC ± 0.13 [.005]		A2 00779 C-640663		SCALE 10:1 SHEET 1 of 1 REV J2	
4 PLC ±		CUSTOMER DRAWING			
ANGLES ±					
MATERIAL SEE TABLE		FINISH SEE TABLE			

A/C BUSINESS GROUP 3323 177-34 RALPH VESTAL