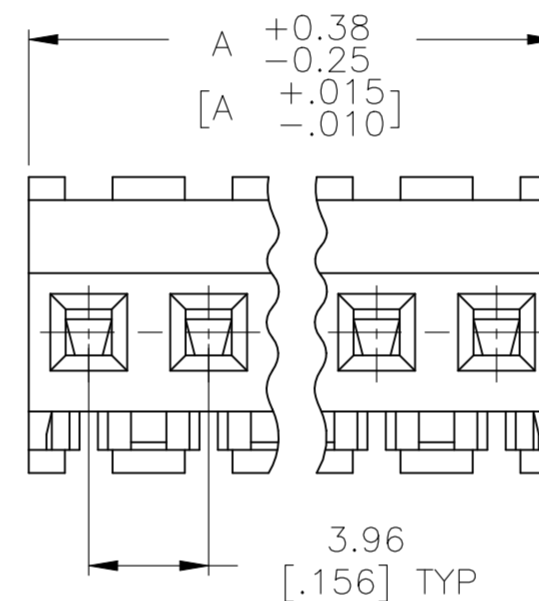
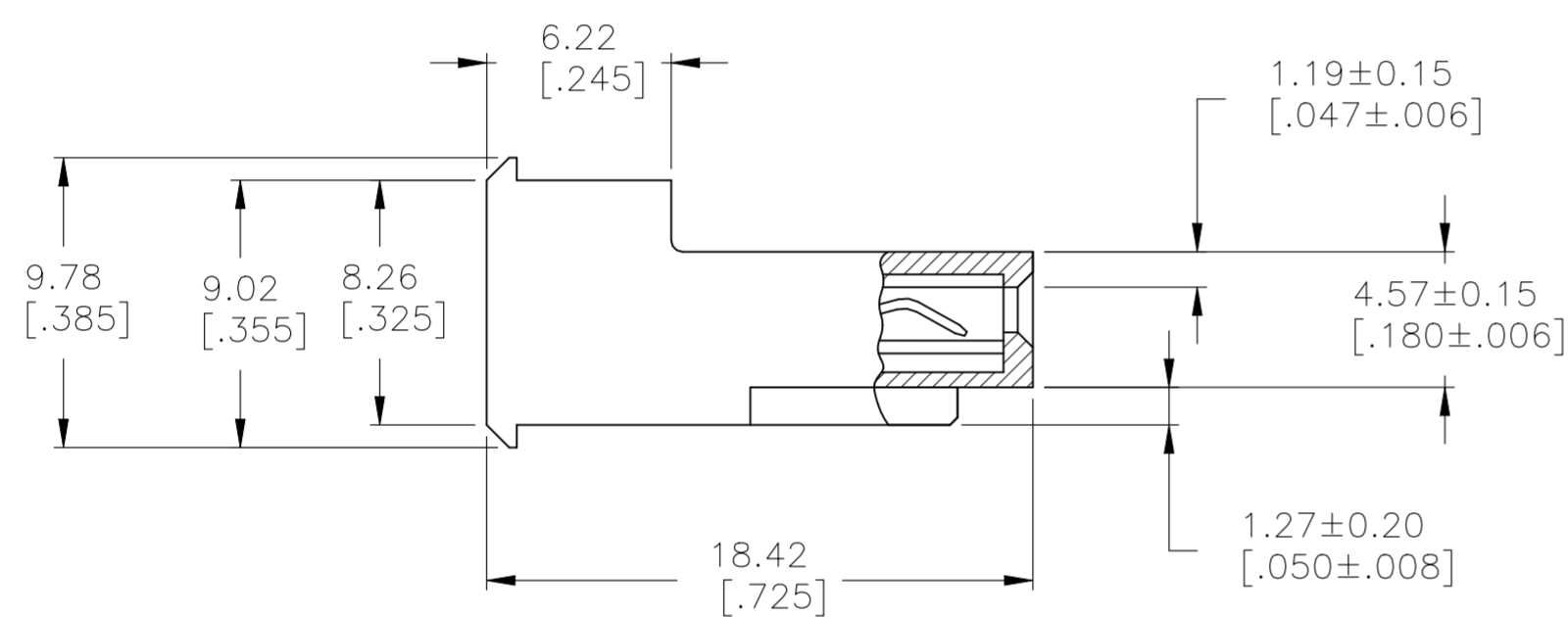
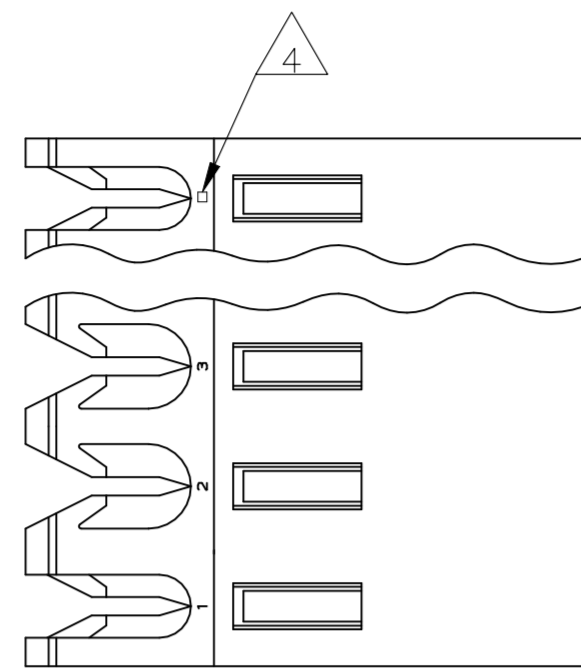


REVISIONS					
P	LTR	DESCRIPTION	DATE	DWN	APVD
	W1	REVISED PER ECR-23-179060	09AUG2023	AK	JP



95.10	[3.744]	24	5-640605-4	
91.14	[3.588]	23	5-640605-3	
87.17	[3.432]	22	5-640605-2	
83.21	[3.276]	21	5-640605-1	
79.25	[3.120]	20	5-640605-0	
75.29	[2.964]	19	4-640605-9	
71.32	[2.808]	18	4-640605-8	
67.36	[2.652]	17	4-640605-7	
63.40	[2.496]	16	4-640605-6	
59.44	[2.340]	15	4-640605-5	
55.47	[2.184]	14	4-640605-4	
51.51	[2.028]	13	4-640605-3	
47.55	[1.872]	12	4-640605-2	
43.59	[1.716]	11	4-640605-1	
39.62	[1.560]	10	4-640605-0	
35.66	[1.404]	9	3-640605-9	
31.70	[1.248]	8	3-640605-8	
27.74	[1.092]	7	3-640605-7	
OBSOLETE	23.77	[.936]	6	3-640605-6
	19.81	[.780]	5	3-640605-5
	15.85	[.624]	4	3-640605-4
	11.89	[.468]	3	3-640605-3
	7.92	[.312]	2	3-640605-2

	95.10	[3.744]	24	2-640605-4
	91.14	[3.588]	23	2-640605-3
SUPERSEDED	87.17	[3.432]	22	2-640605-2
	83.21	[3.276]	21	2-640605-1
	79.25	[3.120]	20	2-640605-0
	75.29	[2.964]	19	1-640605-9
SUPERSEDED	71.32	[2.808]	18	1-640605-8
	67.36	[2.652]	17	1-640605-7
	63.40	[2.496]	16	1-640605-6
	59.44	[2.340]	15	1-640605-5
SUPERSEDED	55.47	[2.184]	14	1-640605-4
	51.51	[2.028]	13	1-640605-3
	47.55	[1.872]	12	1-640605-2
	43.59	[1.716]	11	1-640605-1
	39.62	[1.560]	10	1-640605-0
	35.66	[1.404]	9	640605-9
	31.70	[1.248]	8	640605-8
SUPERSEDED	27.74	[1.092]	7	640605-7
SUPERSEDED	23.77	[.936]	6	640605-6
	19.81	[.780]	5	640605-5
OBSOLETE	15.85	[.624]	4	640605-4
SUPERSEDED	11.89	[.468]	3	640605-3
SUPERSEDED	7.92	[.312]	2	640605-2

- 1 MATERIAL: CONNECTOR - NYLON UL94V-2 (YELLOW).  
CONTACTS - 0.30[.012] THICK COPPER ALLOY  
(BRIGHT TIN-LEAD 0.00203[.000080] MIN. THICK  
FOR CONTACTS 640605-2 THRU 2-640605-4]  
(MATTE WHISKER MITIGATED TIN 0.00203[.000080] MIN  
THICKNESS OVER NICKEL UNDERPLATE FOR  
3-640605-2 THRU 5-640605-4).
- 2 CONTACTS ACCEPT 20 AWG WIRE WITH 2.41[.095] MAX INSULATION DIAMETER.
- 3 CONTACTS MUST ACCEPT 1.14±0.03[.045±.001] SQUARE POST AND REMAIN LOCKED IN POSITION.
- 4 IDENTIFICATION NUMBER FOR LAST CIRCUIT MAY NOT APPEAR ON ALL ASSEMBLIES.
- 5 DIMENSIONS IN BRACKETS ARE IN INCHES.
- 6 HOUSING FEATURES ARE: FEED-THRU WITHOUT LOCKING RAMP.
- 7 OBSOLETE PARTS: OBSOLETE CIS STREAMLINING PER D.RENAUD/D.SINISI
- 8 OBSOLETE PARTS

THIS DRAWING IS A CONTROLLED DOCUMENT.		DWN B. LEWIS 12FEB91		
DIMENSIONS: mm [INCHES]		CHK R. SWING 12FEB91		
TOLERANCES UNLESS OTHERWISE SPECIFIED:		APVD D. CLARK 19FEB91	NAME	
0 PLC ± -		PRODUCT SPEC		
1 PLC ± -		108-1051		
2 PLC ± -		APPLICATION SPEC		
3 PLC ± 0.13 [.005]		114-1020		
4 PLC ± -		SIZE		
ANGLES ± -		CAGE CODE		
FINISH		DRAWING NO		
1		A2 00779 C-640605		
MATERIAL		RESTRICTED TO		
1		CUSTOMER DRAWING		
		SCALE 4:1 SHEET 1 OF 1 REV W1		