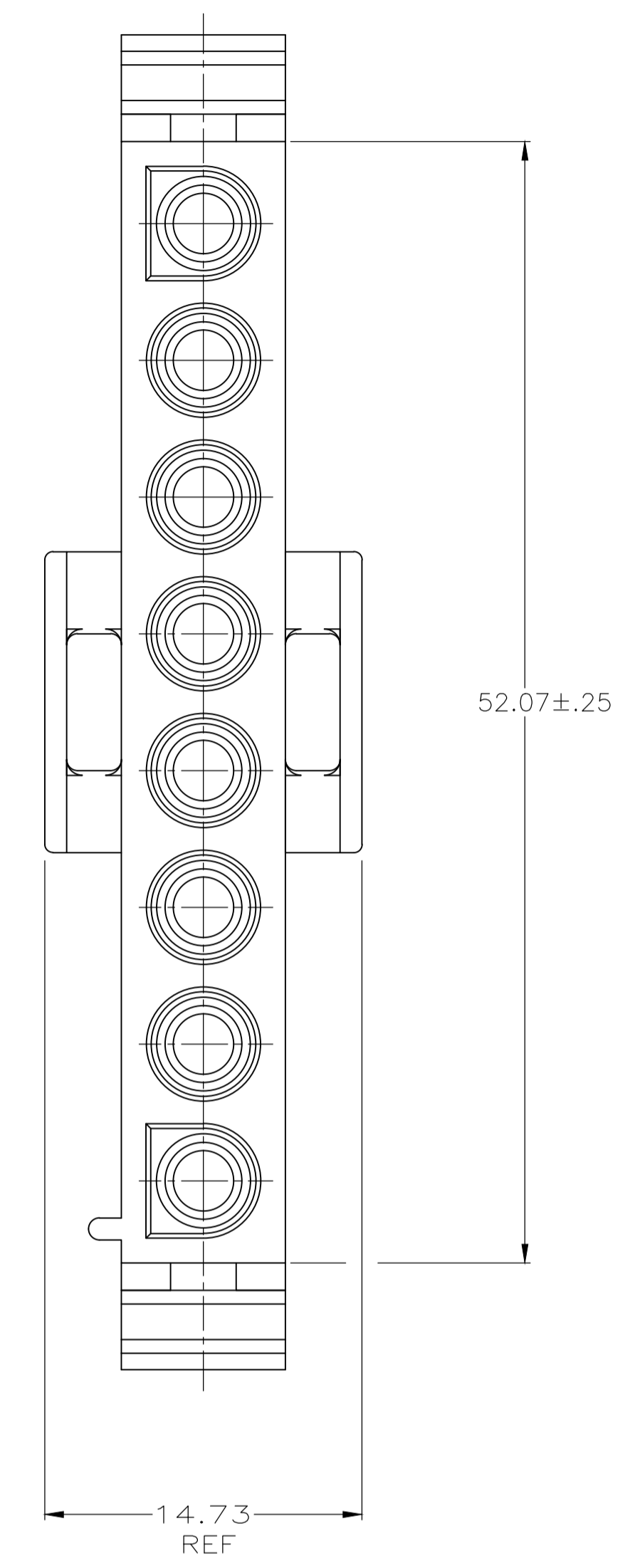
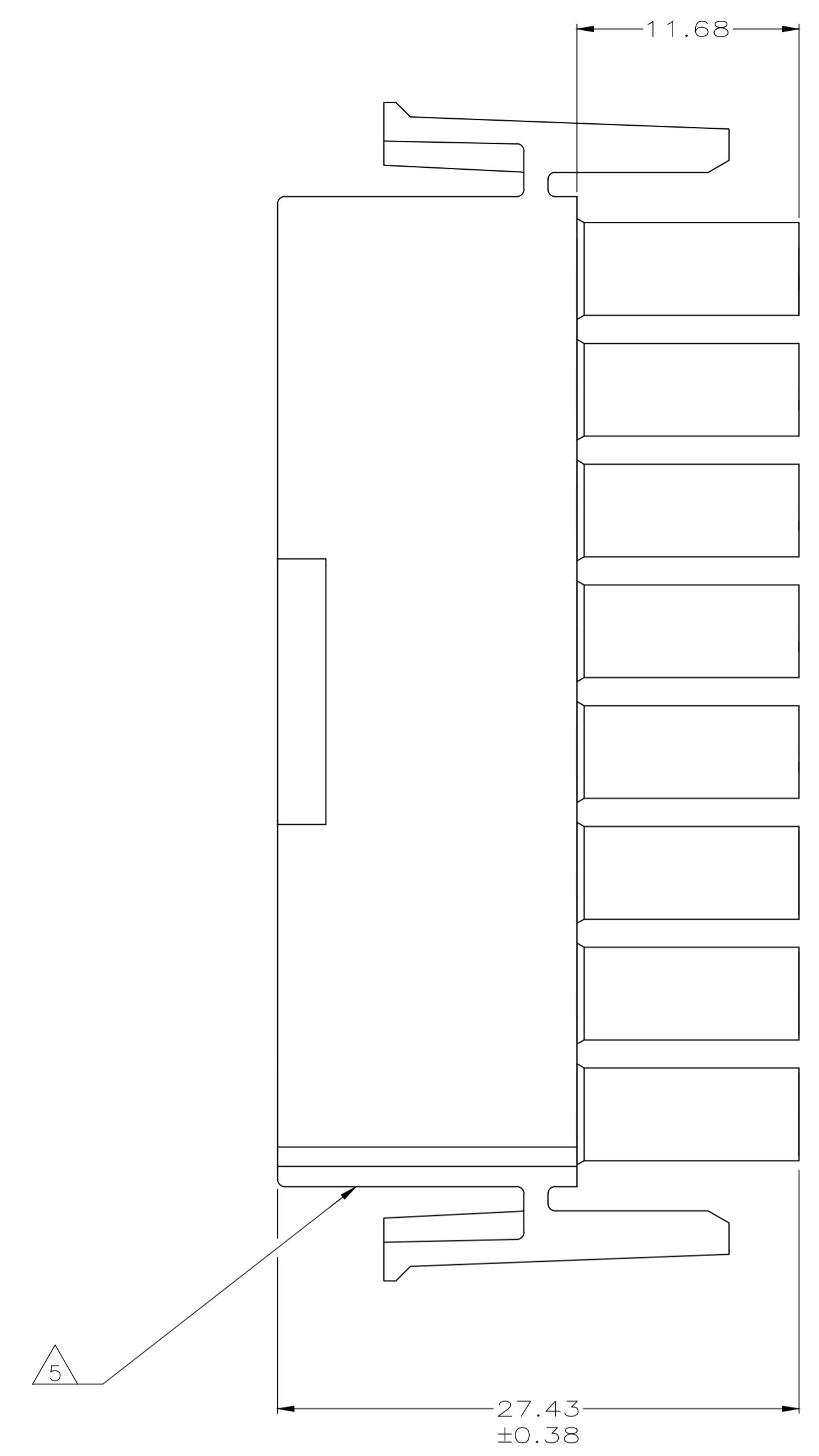
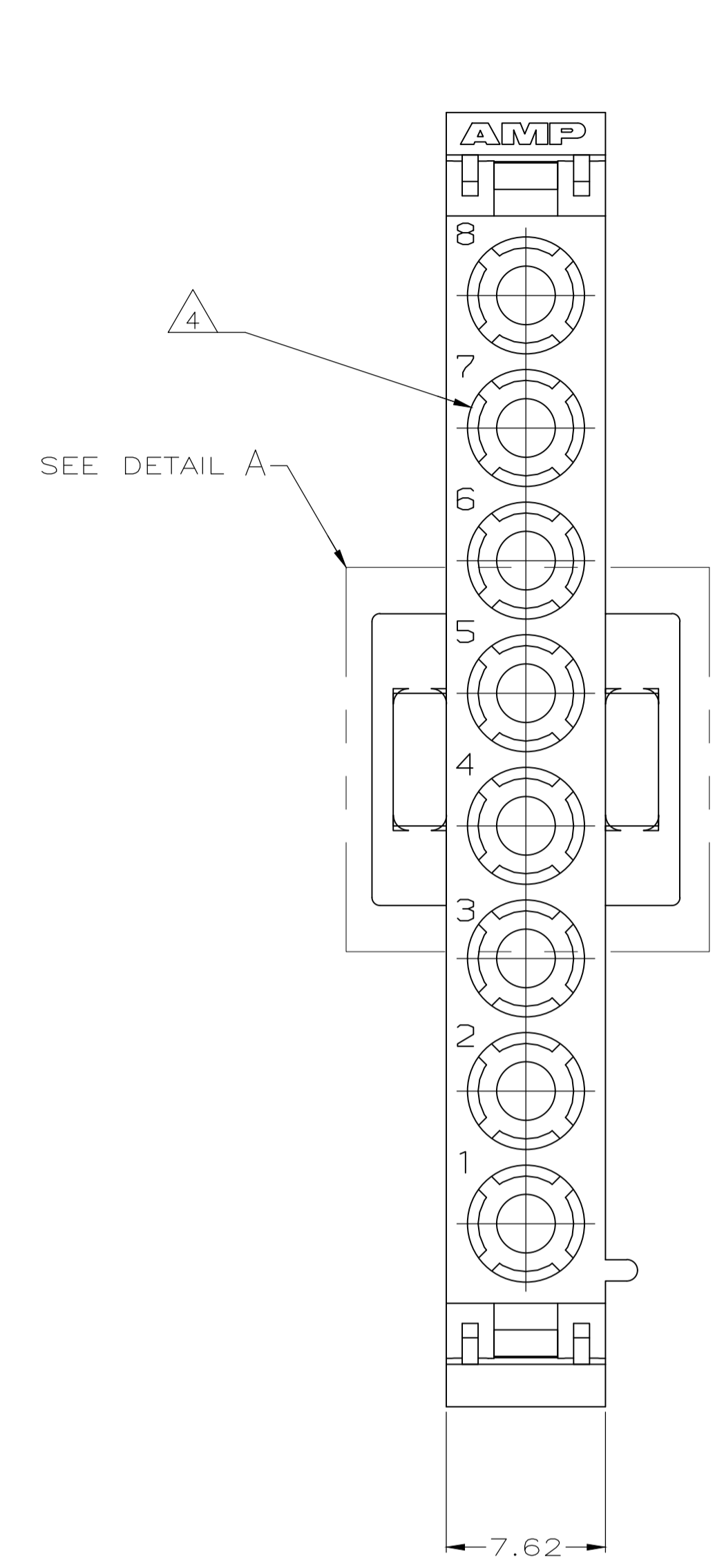
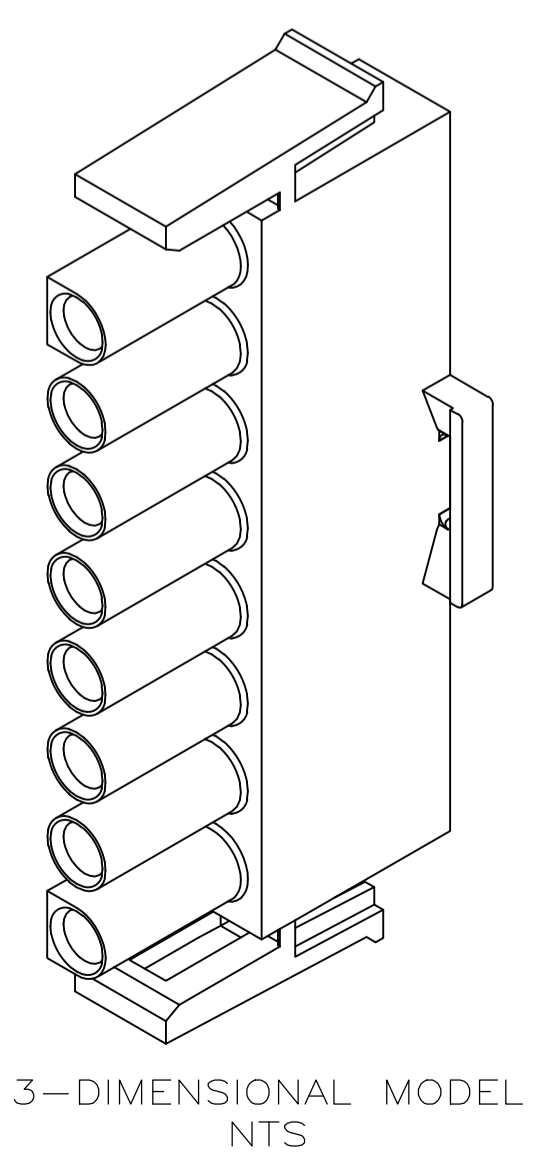
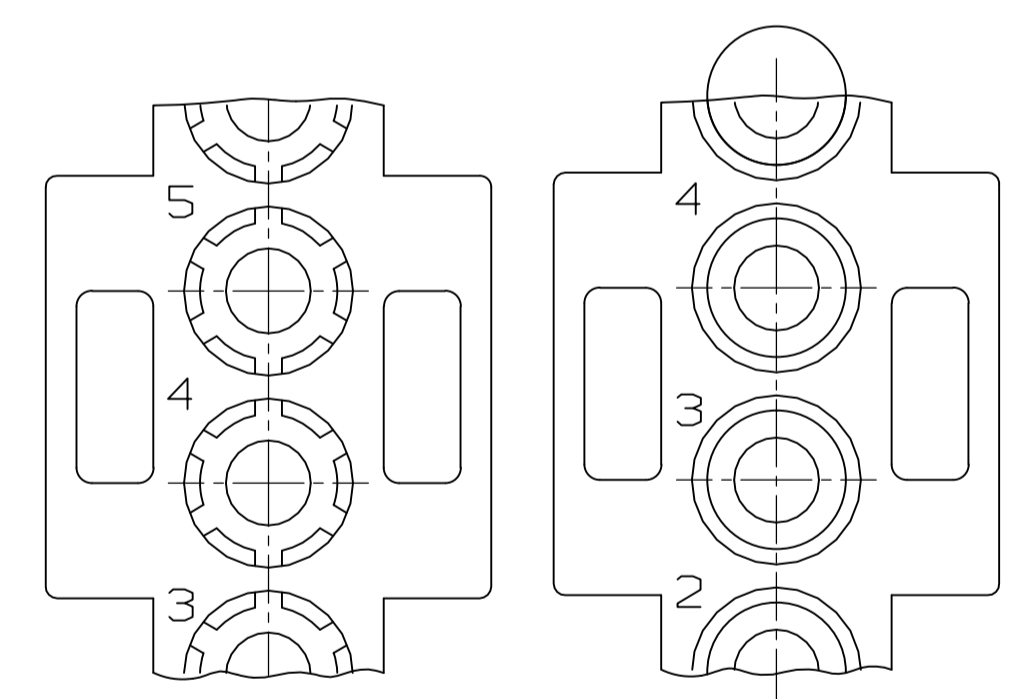


LOC	DIST	REVISIONS				
CM	53	REV	DESCRIPTION	DATE	BY	APPV
		S2	REVISED PER ECR-17-008392	28JUN2017	BW	KR



- MATES WITH APPROPRIATE UNIVERSAL MATE-N-LOK™ CAP OR HEADER.
 - SMALL NICKS ARE PERMITTED ON THE CIRCUIT TOWERS WHICH COULD INCREASE THE INITIAL HOUSING MATING FORCE BY UP TO 4.4 NEWTONS [1.0 LBS]. NO INDIVIDUAL NICKED TOWER SHALL INCREASE THIS FORCE BY OVER 2.2 NEWTONS [.5 LBS].
 - DIMENSIONS SHOWN REPRESENT PRODUCT IN DRY, AS MOLDED, CONDITION. ADDITIONAL 2% GROWTH DUE TO SUBSEQUENT MOISTURE ABSORPTION MAY OCCUR AND SHOULD BE ACCOUNTED FOR.
- △ 4 FOUR RIBS EQUALLY SPACED, NO SPECIFIC ORIENTATION. NO RIBS OR SIX RIBS EQUALLY SPACED, NO SPECIFIC ORIENTATION, OPTIONAL.
- △ 5 UNDERWRITERS RECOGNIZED COMPONENT LOGO AND CSA CERTIFICATION LOGO TO BE LOCATED ONCE EACH ON SIDE OF HOUSING.



DIMENSIONS:	TOLERANCES UNLESS OTHERWISE SPECIFIED:
INCHES	
52.07	2.050
27.43	1.080
14.73	.580
11.68	.460
7.62	.300
0.38	.015
0.13	.005
MM	IN

CONVERSION TABLE

THIS DRAWING IS A CONTROLLED DOCUMENT.

DIN K. WHITAKER 2-28-92	 TE Connectivity	PLUG, 8 CIRCUIT, UNIVERSAL MATE-N-LOK™
CHK R. SWING 2-28-92		NAME
APP'D D. SELF 3-5-92	SIZE	CAGE CODE
PRODUCT SPEC	DRAWING NO.	RESTRICTED TO
APPLICATION SPEC	A1 00779	640586
MATERIAL NYLON, UL94V-2 NYLON	WEIGHT	CUSTOMER DRAWING
FINISH	SCALE 4:1	SHEET 1 OF 1
		REV S2

640586-1
PART NO