

THIS DRAWING IS UNPUBLISHED.

RELEASED FOR PUBLICATION

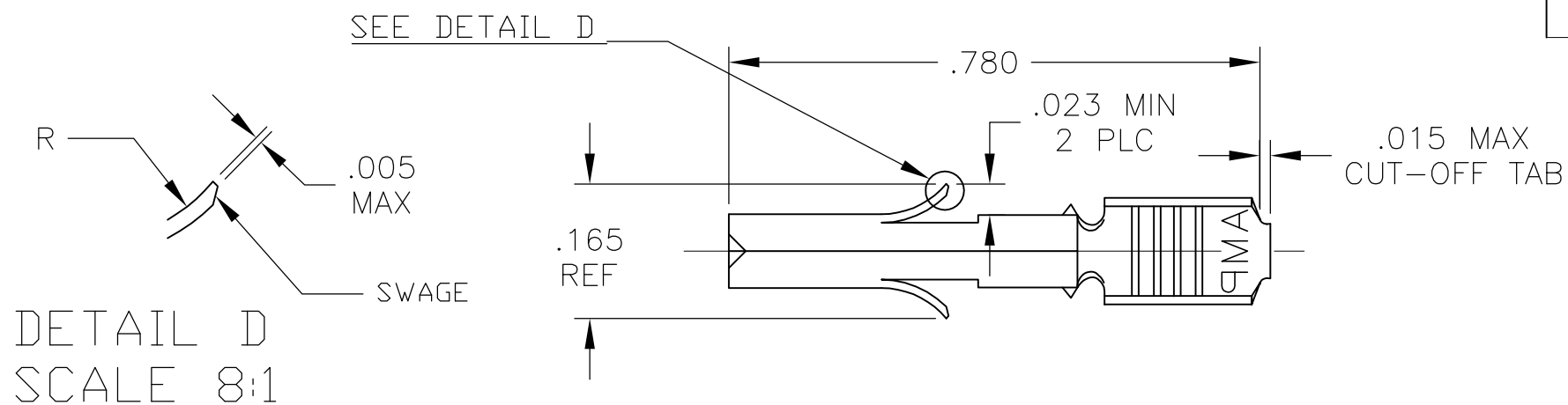
ALL RIGHTS RESERVED.

© COPYRIGHT - By -

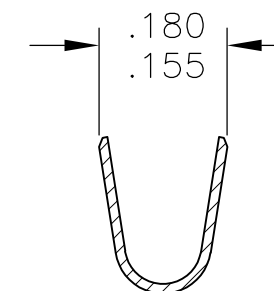
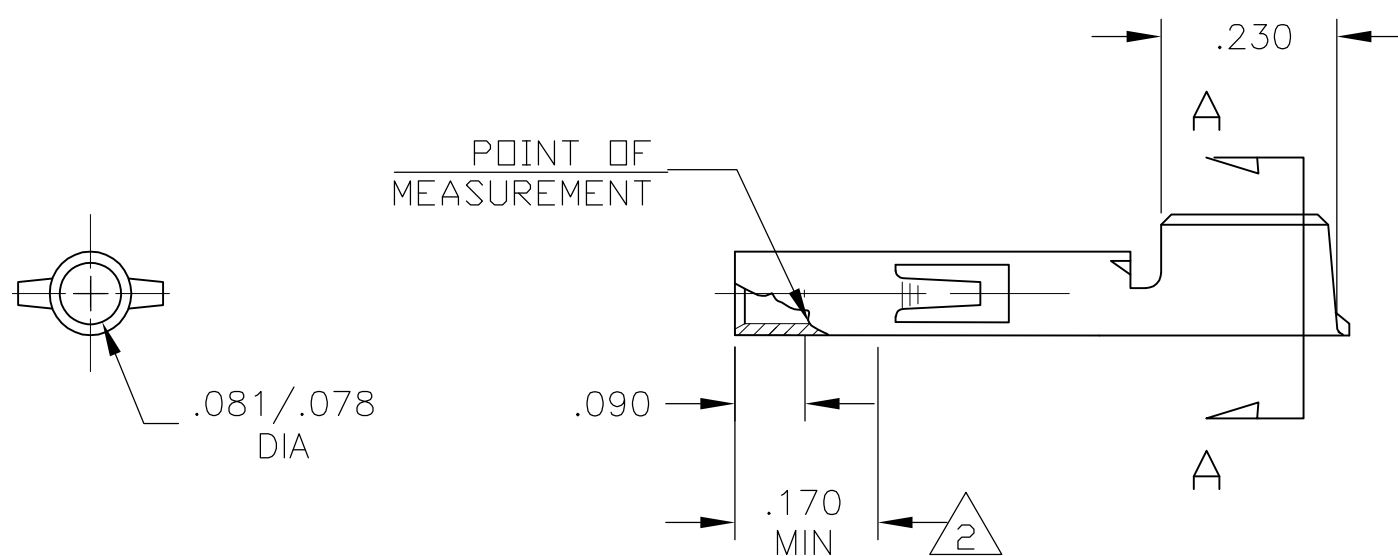
LOC AF DIST 50

REVISIONS

P	LTR	DESCRIPTION	DATE	DWN	APVD
G2		REV PER ECO 11-020508	11OCT11	JR	TM



- WIRE RANGE : 12-10 AWG
INSULATION RANGE: .200 DIA MAX
(LIMITED BY THE CONNECTOR HOUSING CAVITY).
- .000030 THK GOLD, OVER .000050 NICKEL UNDERPLATE ON INSIDE OF RECEPTACLE, REMAINDER OF CONTACT IS NICKEL PLATED.



SECTION A-A

GOLD \triangle_2	.012±.001 PHOS BRZ	640310-6
PRE-TIN	.012±.001 PHOS BRZ	640310-3
FINISH	MATERIAL	PART NUMBER

THIS DRAWING IS A CONTROLLED DOCUMENT.

DIMENSIONS: INCHES	TOLERANCES UNLESS OTHERWISE SPECIFIED:
	0 PLC ± -
	1 PLC ± -
	2 PLC ± -
	3 PLC ± .010
	4 PLC ± -
	ANGLES ± -
MATERIAL	FINISH
-	-

DWN jr_ruth 11OCT11	STE TE Connectivity		
CHK TOM MICHIELUTTI 11OCT11			
APVD TOM MICHIELUTTI 11OCT11	NAME		
PRODUCT SPEC	SOCKET UNIVERSAL MATE-N-LOK LOOSE PIECE		
APPLICATION SPEC	SIZE	CAGE CODE	DRAWING NO
WEIGHT -	A3	00779	C-640310
CUSTOMER DRAWING	SCALE 4:1	SHEET 1 OF 1	REV G2