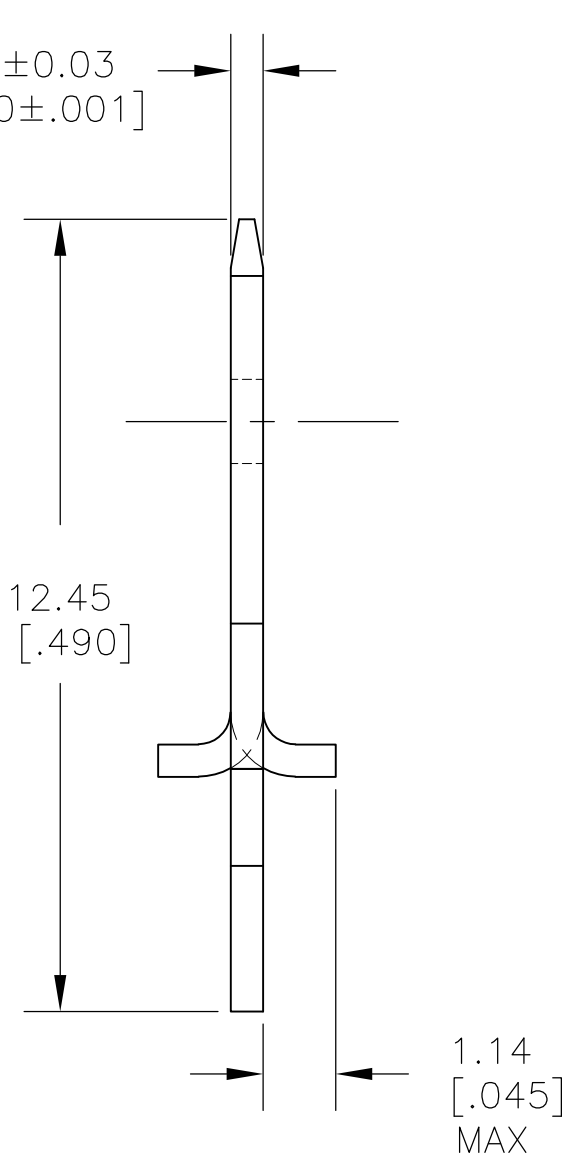
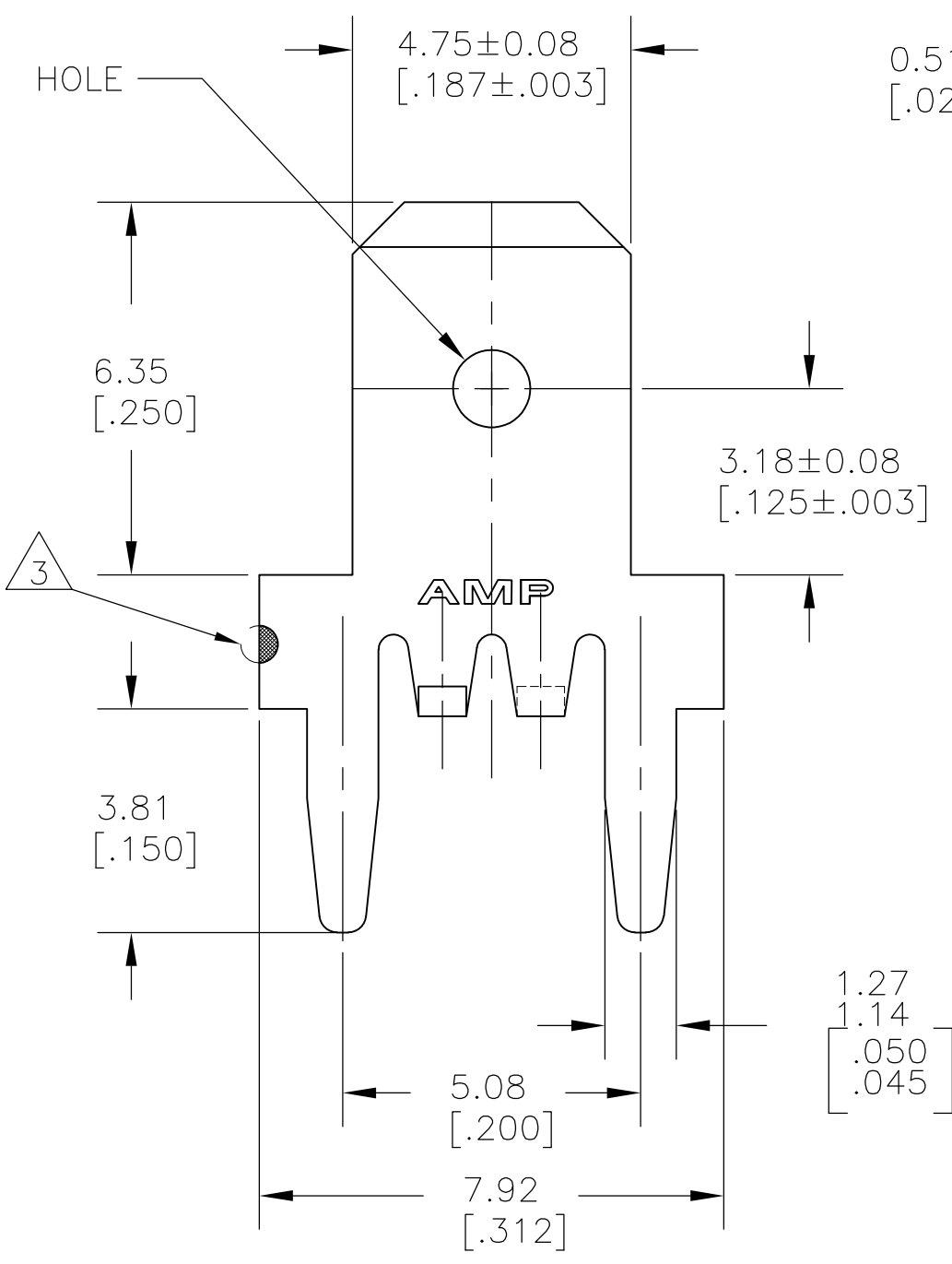
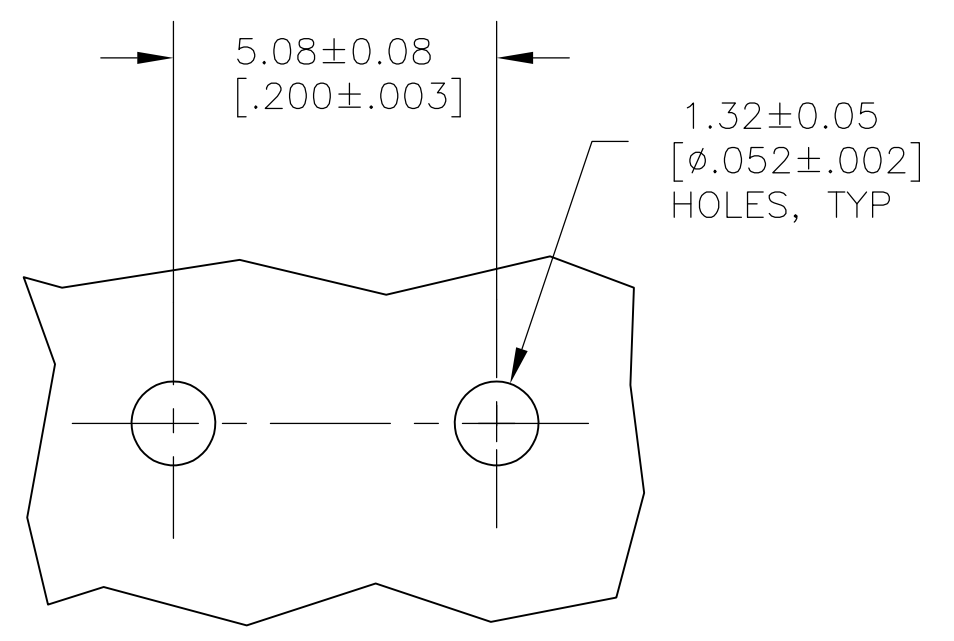


THIS DRAWING IS UNPUBLISHED. RELEASED FOR PUBLICATION
 © COPYRIGHT - By - ALL RIGHTS RESERVED.

LOC	DIST	REVISIONS			
P	LTR	DESCRIPTION	DATE	DWN	APVD
AF	50	E	REVISED PER ECR-13-001204	24JUN13	KH PD



- 1 SUPPLIED IN LOOSE PIECE
- 2 TIN PLATE 0.00381 [.000150] MIN OVER 0.00254 [.000100] MIN THK COPPER OR TIN PLATE 0.00381 [.000150] MIN OVER 0.00127 [.000050] MIN NICKEL.
- 3 OPTIONAL ID MARK, LOCATED APPROX AS SHOWN.



P.C. BOARD HOLE PATTERN

63823-1	63982-1
STRIP P/N	PART NO.

THIS DRAWING IS A CONTROLLED DOCUMENT.		DWN	JR RUTH	13FEB01	TE Connectivity							
DIMENSIONS: mm [INCHES]		CHK	MS FEHER	13FEB01				NAME TAB, FASTON, P.C.BOARD 4.75 [.187]				
TOLERANCES UNLESS OTHERWISE SPECIFIED:		APVD	N DEIBERT	13FEB01	PRODUCT SPEC -							
0 PLC ± - 1 PLC ± - 2 PLC ± 0.25 [.010] 3 PLC ± - 4 PLC ± - ANGLES ± -		APPLICATION SPEC		114-2115				SIZE	CAGE CODE	DRAWING NO	RESTRICTED TO	
MATERIAL		FINISH		WEIGHT		A3		00779	C-63982	-		
BRASS		2		CUSTOMER DRAWING		SCALE		8:1	SHEET	1 OF 1	REV	E