

4

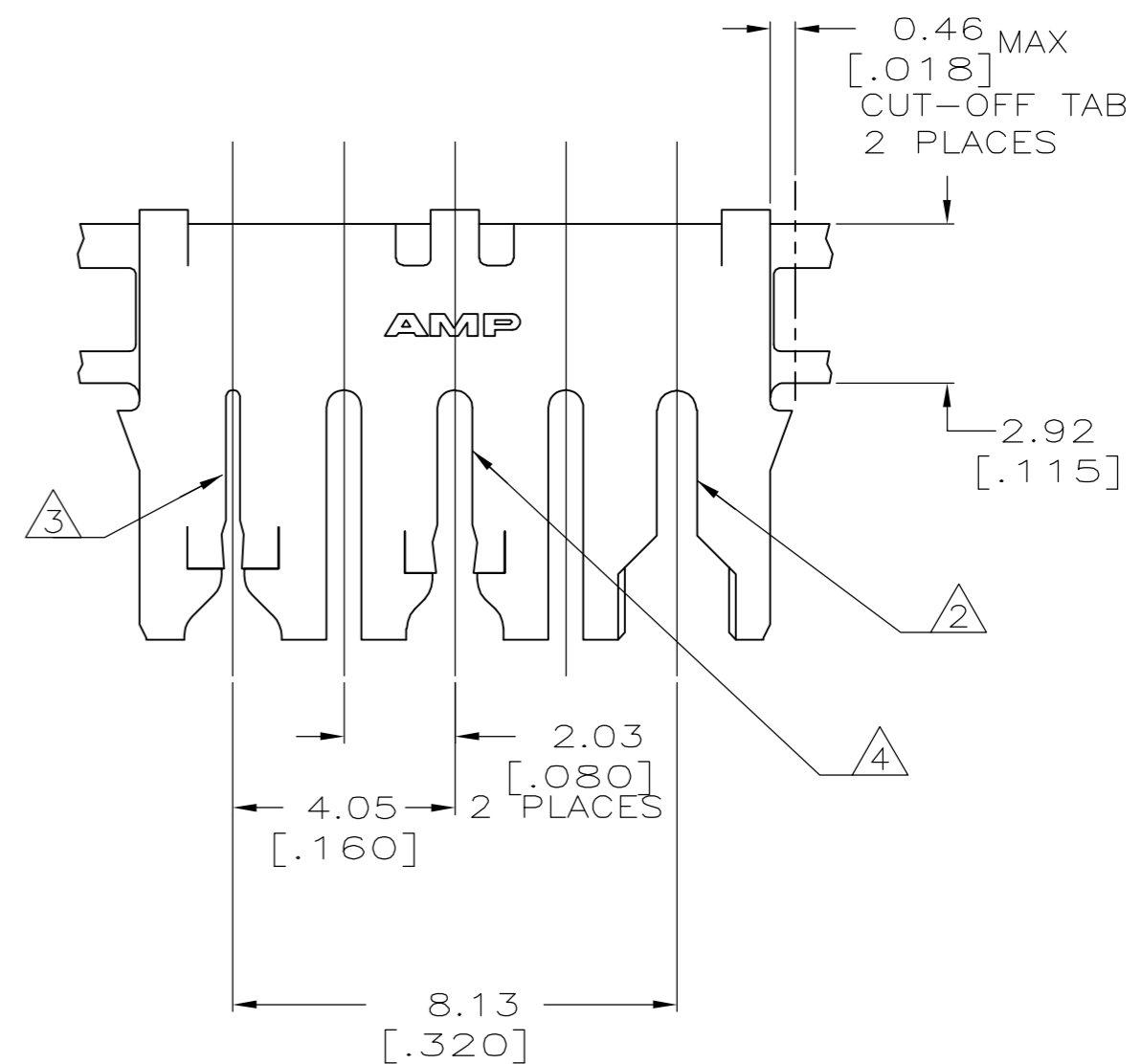
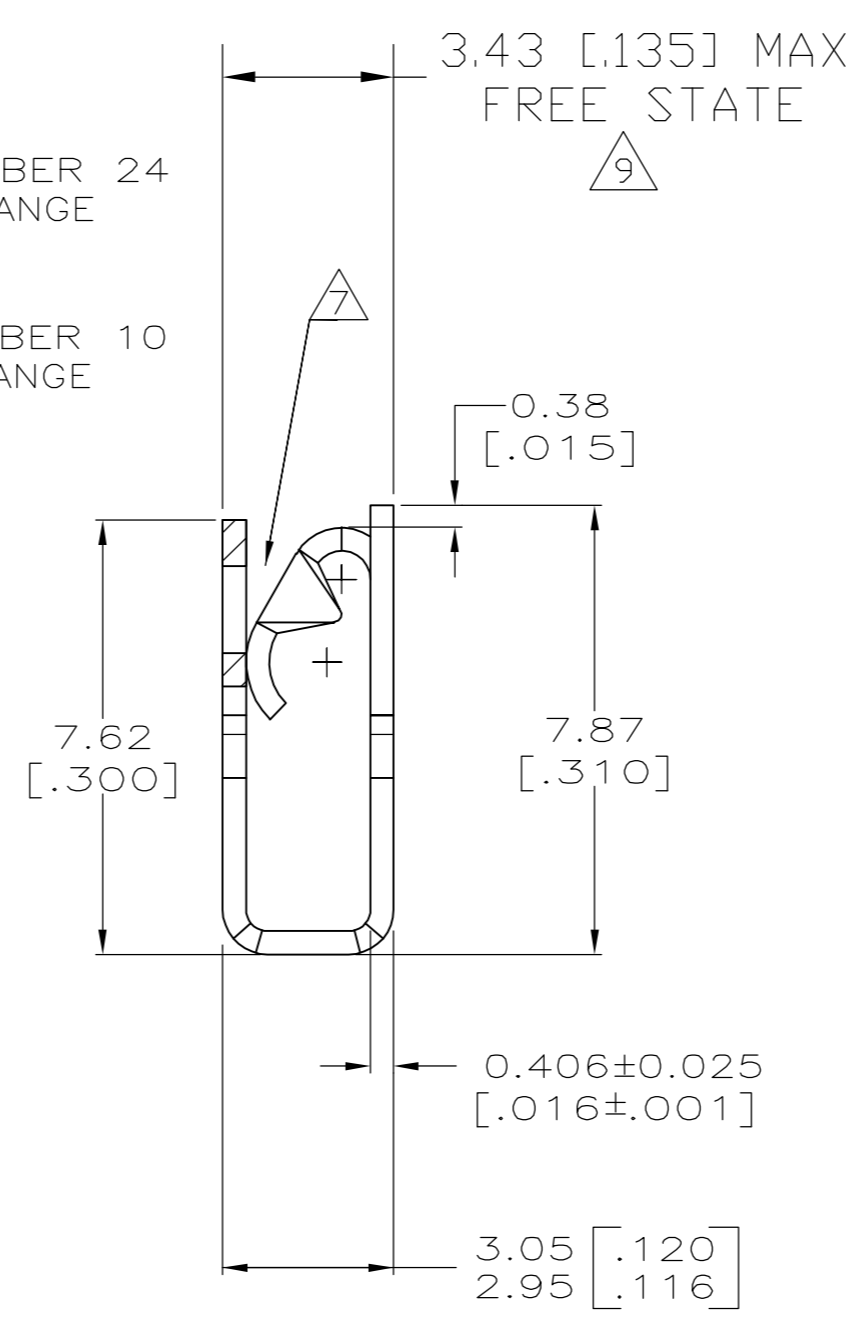
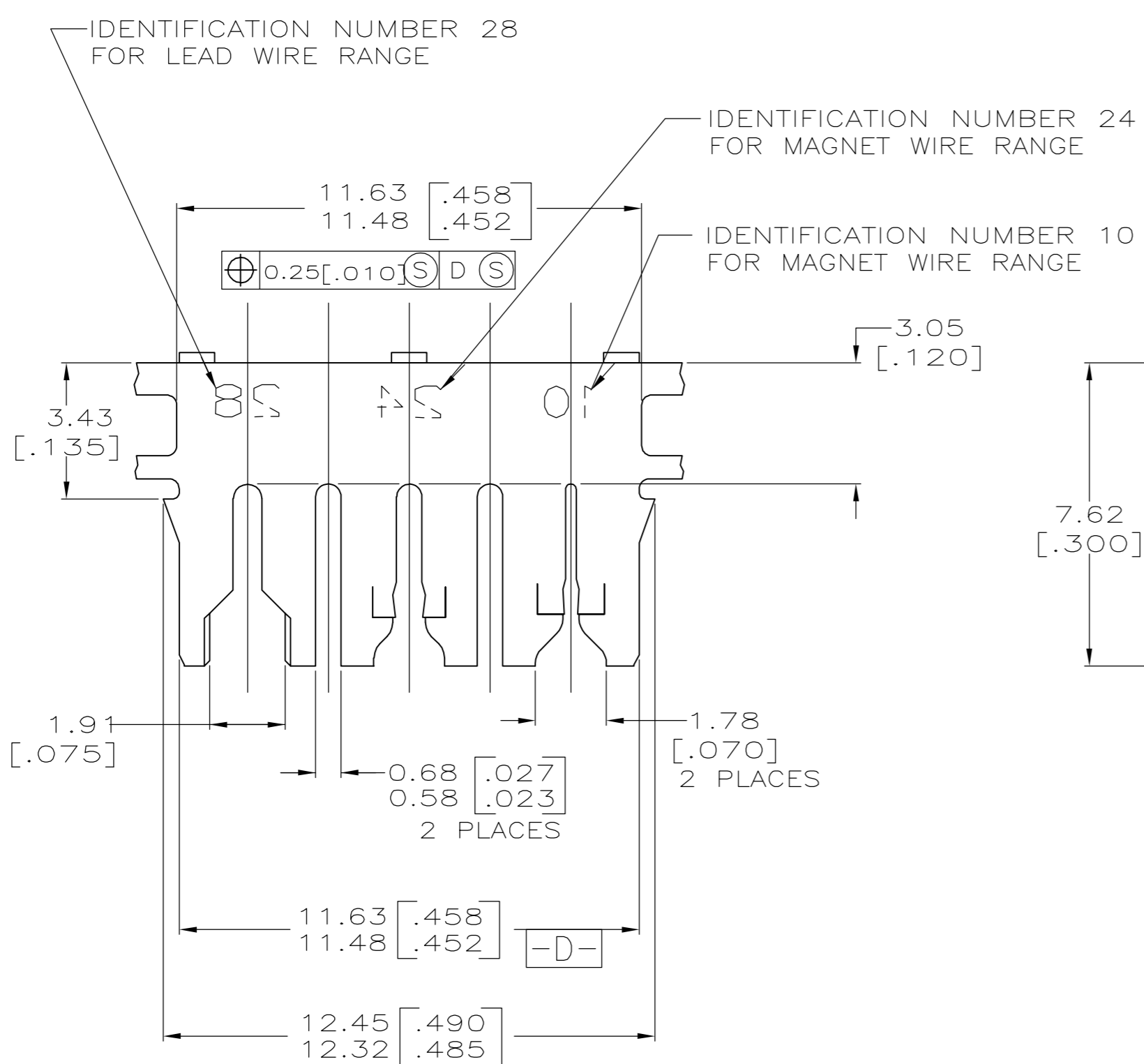
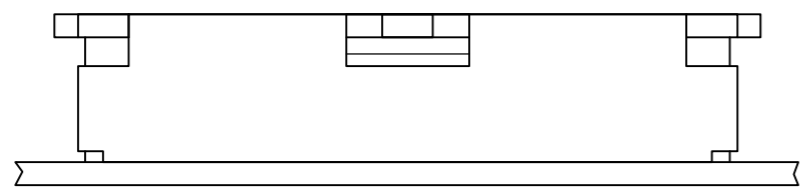
3

2

1

THIS DRAWING IS UNPUBLISHED. RELEASED FOR PUBLICATION .19
 © COPYRIGHT 19 BY AMP INCORPORATED. ALL RIGHTS RESERVED.

LOC		DIST		REVISIONS			DATE	DWN	APVD
AF	50	P	LTR	DESCRIPTION			07OCT2004	RF	KR
		D		REV PER 0G3A-0759-04					



- 1 CONTINUOUS STRIP ON REELS WITH TERMINALS LOCATED ON 13.97±0.08 [.550±.003] CENTERS.
- 2 SLOT TERMINATES A SINGLE 0.8-0.9mm² [#18] AWG TIN PLATED SOLID, FUSED STRANDED OR STRANDED (7, 16, OR 19 STRANDS) WIRE WITH PET INSULATION, 2.03[.080] MAX DIA.
- 3 SLOT TERMINATES A SINGLE MAGNET WIRE, OR TWO WIRES MAX OF THE SAME SIZE PER SLOT. COPPER RANGE: 0.36-0.57mm [#27-#23] AWG
- 4 SLOT TERMINATES A SINGLE MAGNET WIRE ONLY. COPPER RANGE: 0.91-1.15mm [#19-#17] AWG
- 5 MTA PRODUCT SPEC IS 108-1051
MAG-MATE PRODUCT SPEC IS 108-2012
- 6 MAG-MATE APPLICATION SPEC IS 114-2046
MTA APPLICATION SPEC IS 114-1020
- 7 MATES WITH STANDARD MAG-MATE STYLED POKE-IN TAB TERMINAL.
- 8 TERMINALS ARE STRESS RELIEVED
- 9 DIMENSION APPLIES WITH LEAF EDGE TOUGHING CARRIER SIDE OF BOX

63975-1
PART NUMBER

THIS DRAWING IS A CONTROLLED DOCUMENT.		DWN R.GRZYBOWSKI 14APR97	AMP Incorporated Harrisburg, PA 17105-3608	
DIMENSIONS: mm[INCHES]		CHK M.S.FEHER 14APR97	NAME KURT A. RANDOLPH	
TOLERANCES UNLESS OTHERWISE SPECIFIED:		APVD KURT A. RANDOLPH 14APR97	PRODUCT SPEC	
0 PLC ±-	1 PLC ±-	APPLICATION SPEC		
2 PLC ±0.25[.010]	3 PLC ±-	96-1039-143		
4 PLC ±-	ANGLES ±-	WEIGHT -		
MATERIAL 4M BRASS	FINISH 0.002032 [.000080] MIN TIN	SIZE A2		
CUSTOMER DRAWING		CAGE CODE 00779		
		DRAWING NO 63975		
		SCALE 8:1 SHEET 1 OF 1 REV D		

63975

A