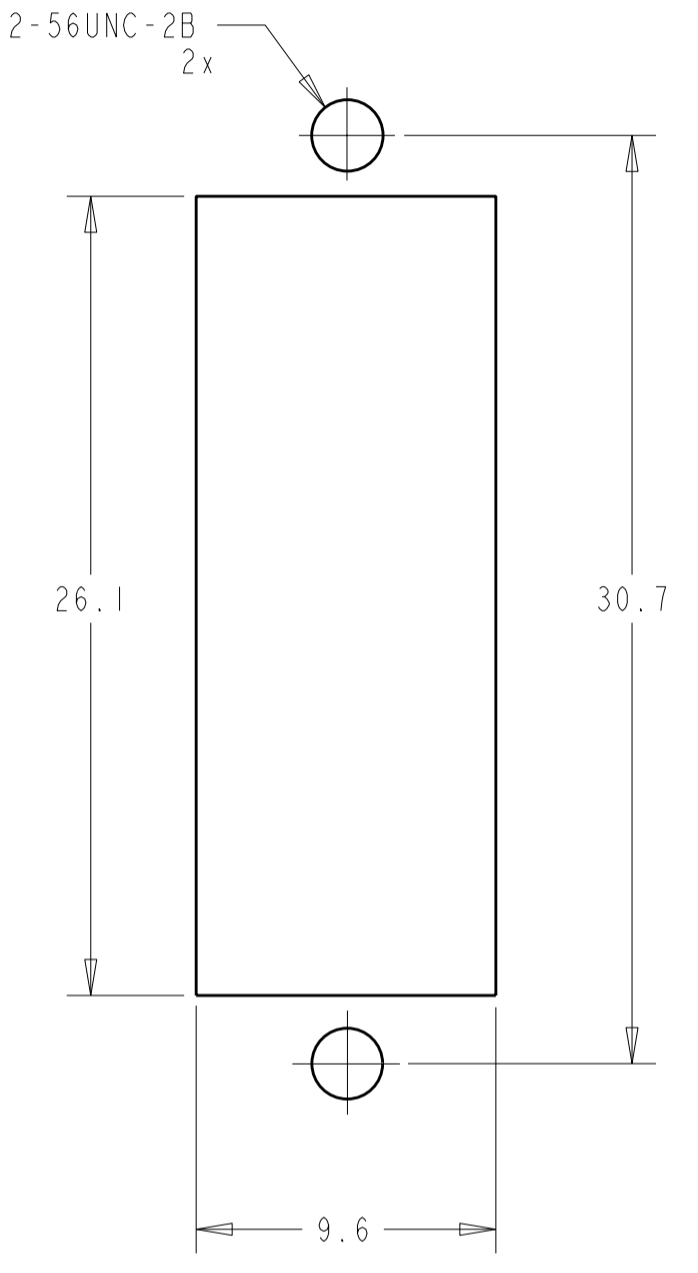
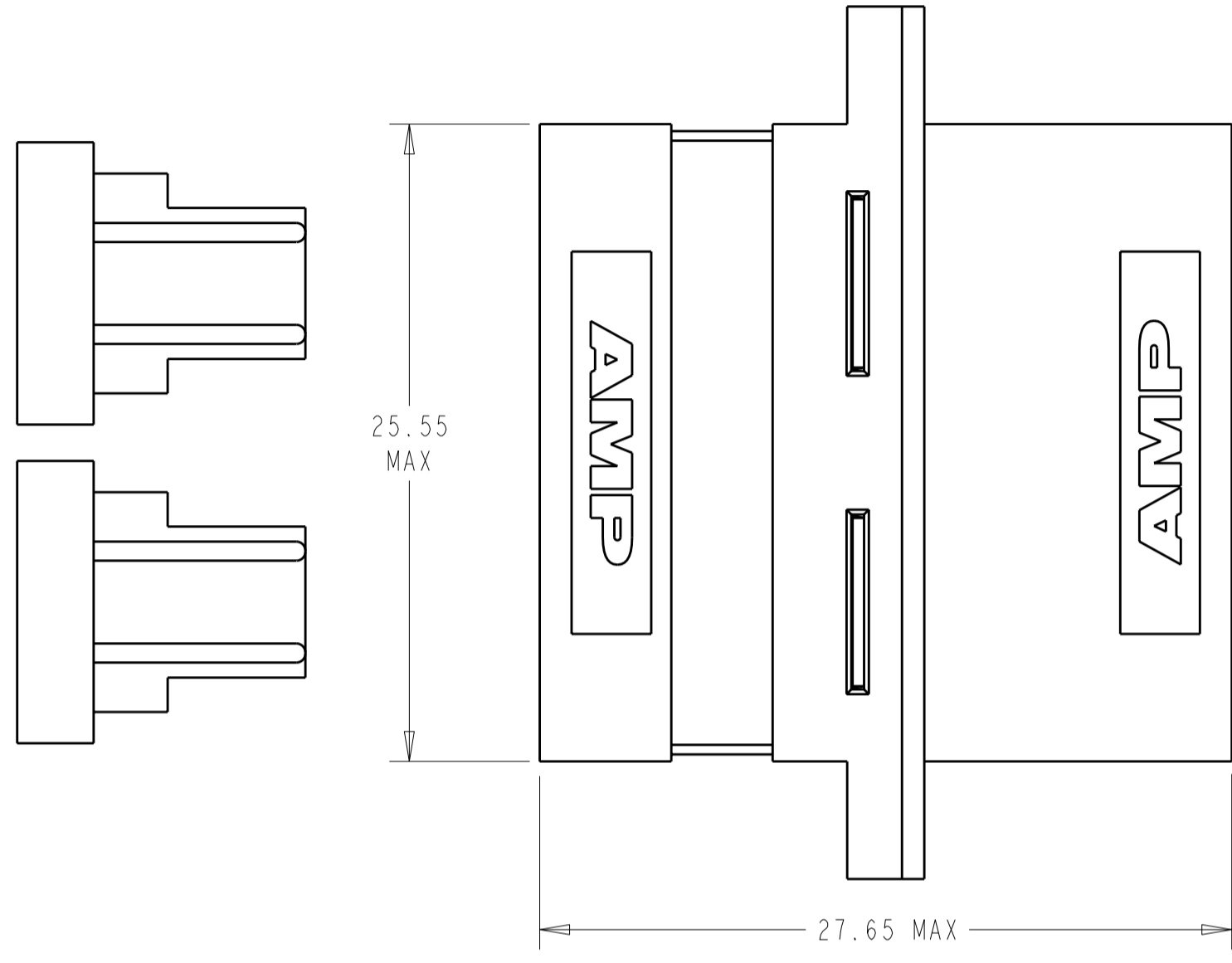
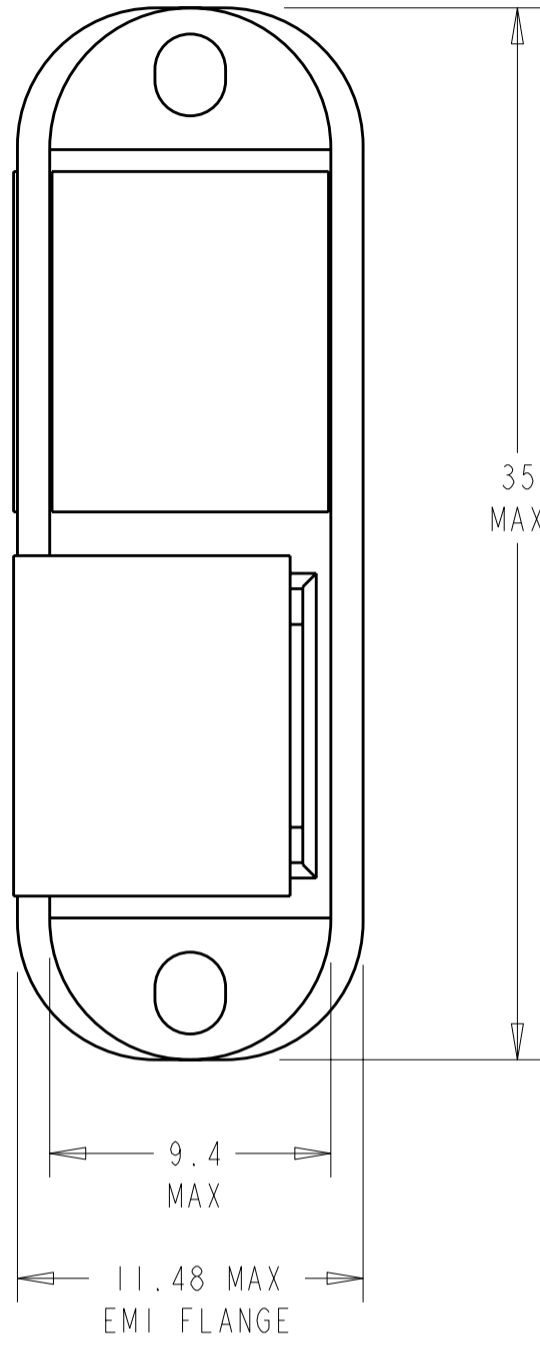


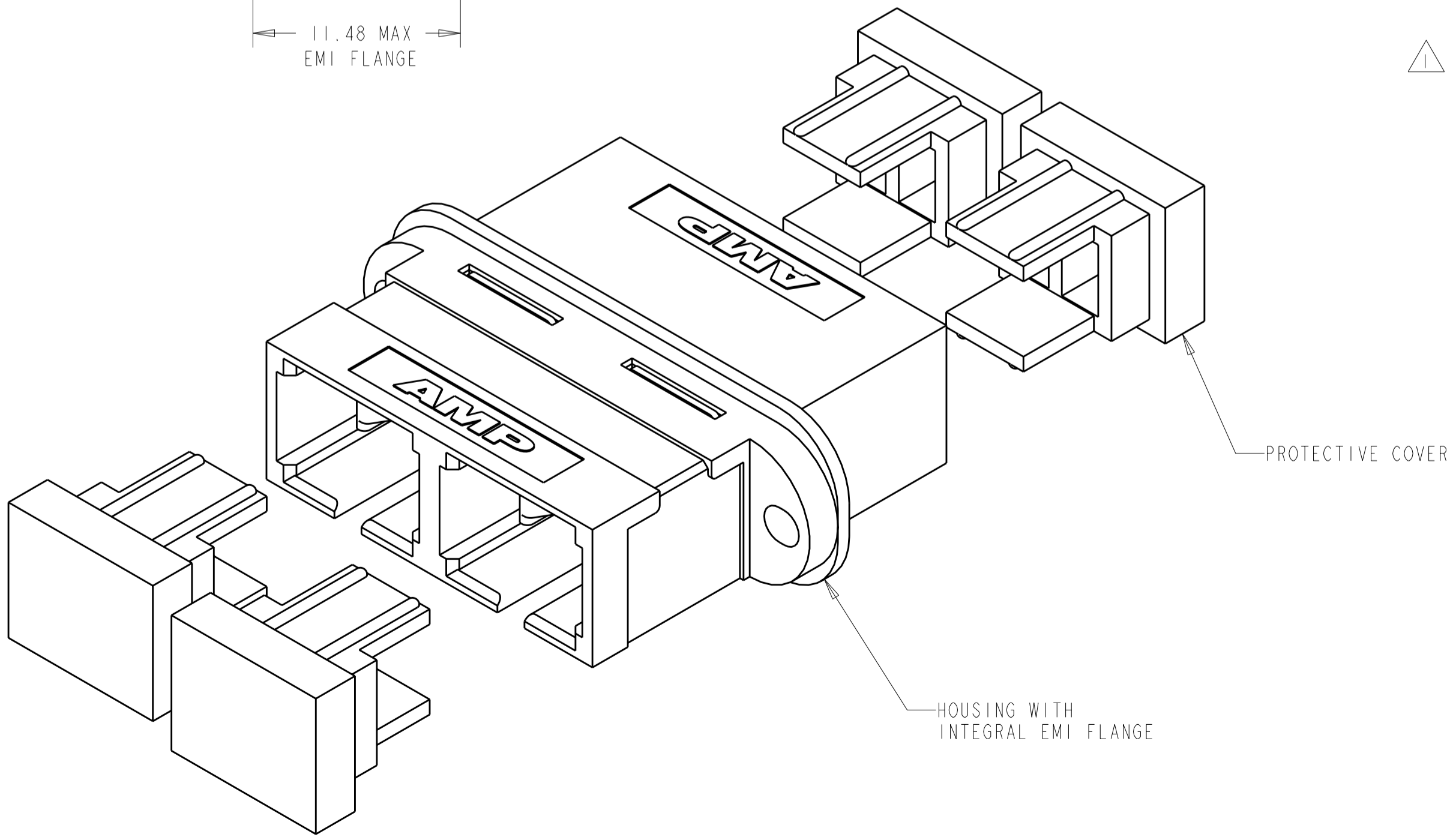
THIS DRAWING IS UNPUBLISHED. RELEASED FOR PUBLICATION .19
 © COPYRIGHT 19 BY AMP INCORPORATED. ALL RIGHTS RESERVED.

REVISIONS				
F	LTR	DESCRIPTION	DATE	APVD
	A	RELEASE TO ACTIVE	07JUN2006	BB SM



1 MATERIAL:
 HOUSING: DIECAST ZINC, NICKEL PLATED
 ALIGNMENT SLEEVE: SEE DASH NOS.
 PROTECTIVE COVER: TPE, COLOR: BLACK*
 RETAINER: PEI-GF30, COLOR: BLACK*
 *UL94 V-0 RATED AT QUALIFYING THICKNESS.

SUGGESTED PANEL CUTOUT
 MAXIMUM PANEL THICKNESS 1.7



CERAMIC	6374223-3
PHOS BRONZE	6374223-1
ALIGNMENT SLEEVE	PART NUMBER

THIS DRAWING IS A CONTROLLED DOCUMENT FOR AMP INCORPORATED. IT IS SUBJECT TO CHANGE AND THE CONTROLLING ENGINEERING ORGANIZATION SHOULD BE CONTACTED FOR THE LATEST REVISION.		DWN B. BRIGGS 19MAY2005	AMP Incorporated Harrisburg, PA 17105-3608
DIMENSIONS: mm		CHK S. MILLER 19MAY2005	
TOLERANCES UNLESS OTHERWISE SPECIFIED: 0 PLC ± 1 PLC ±0.1 2 PLC ±0.05 3 PLC ± 4 PLC ± ANGLES ± FINISH -		APVD S. BUCHTER 19MAY2005	NAME ASSEMBLY, DUPLEX RECEPTACLE, SC/SC WITH EMI FLANGE, DIECAST HOUSING
MATERIAL		PRODUCT SPEC -	SIZE A2
		APPLICATION SPEC -	CAGE CODE 00779
		WEIGHT -	DRAWING NO 6374223
		CUSTOMER DRAWING	RESTRICTED TO -
		SCALE 4:1	SHEET 1 OF 1
			REV A