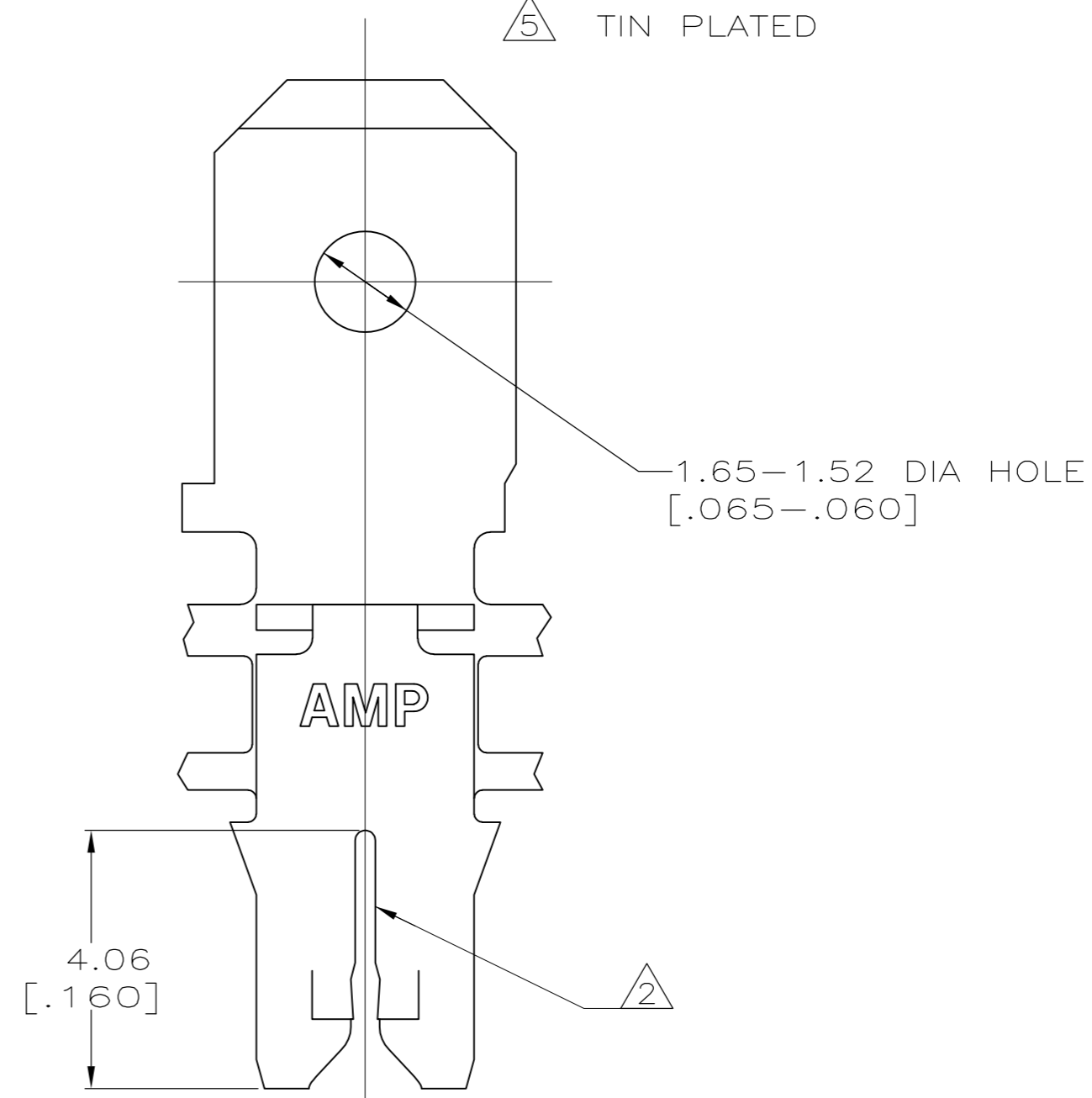
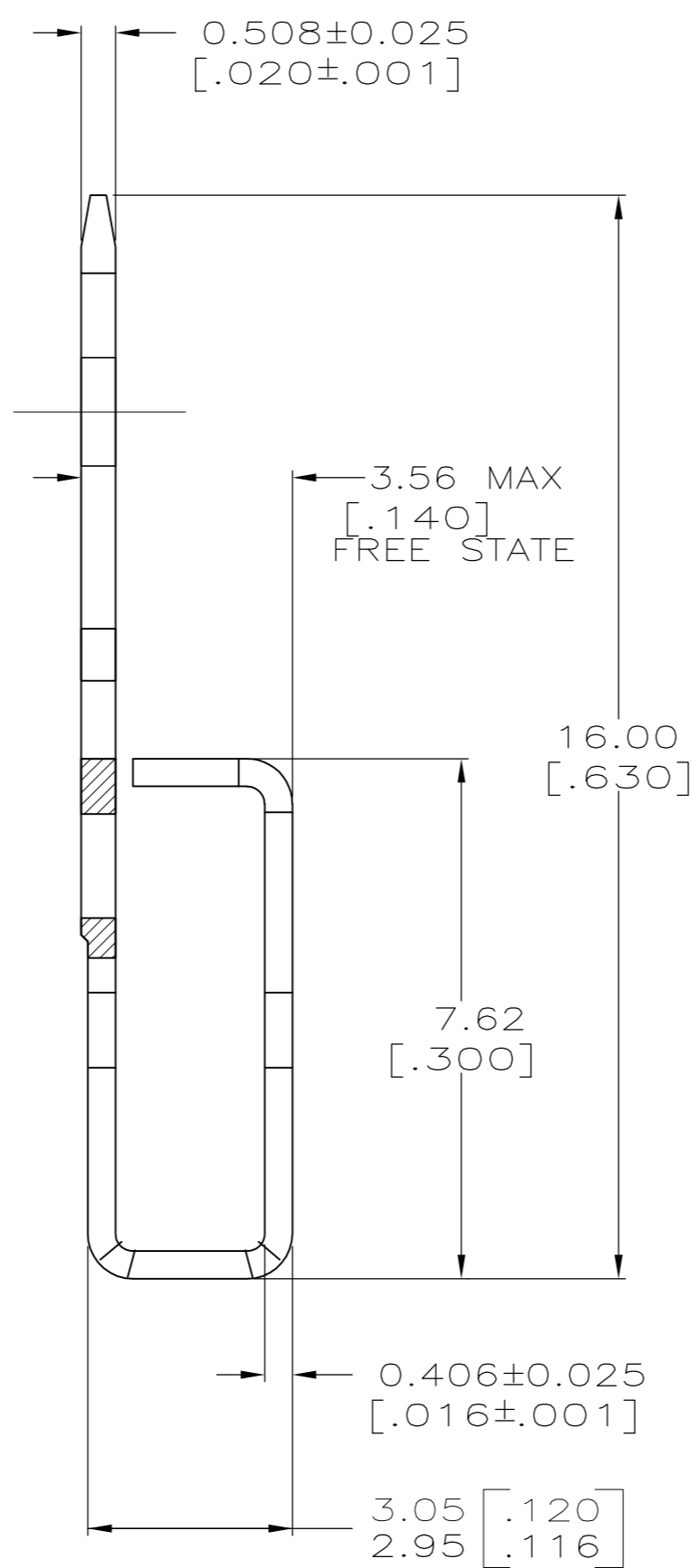
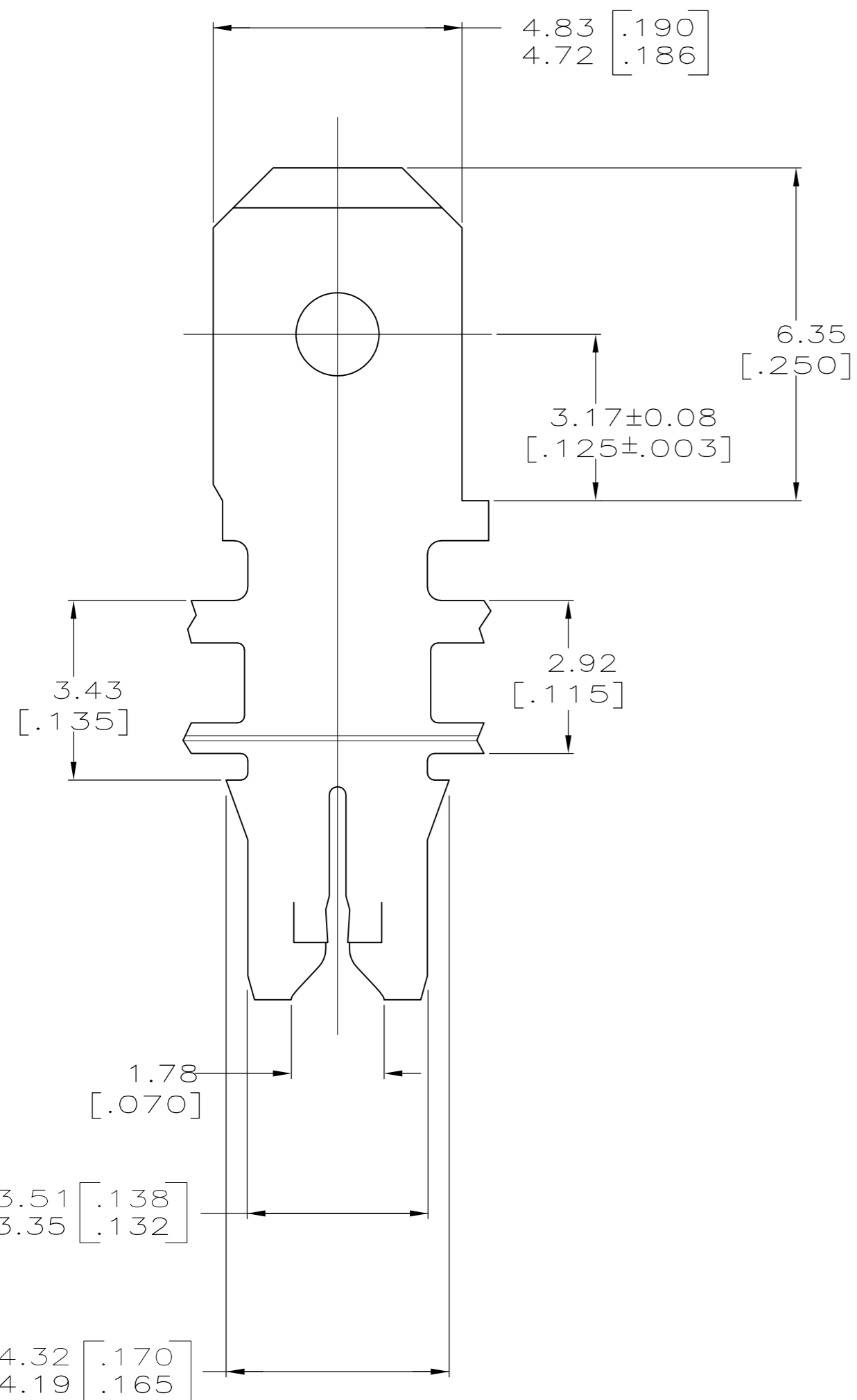
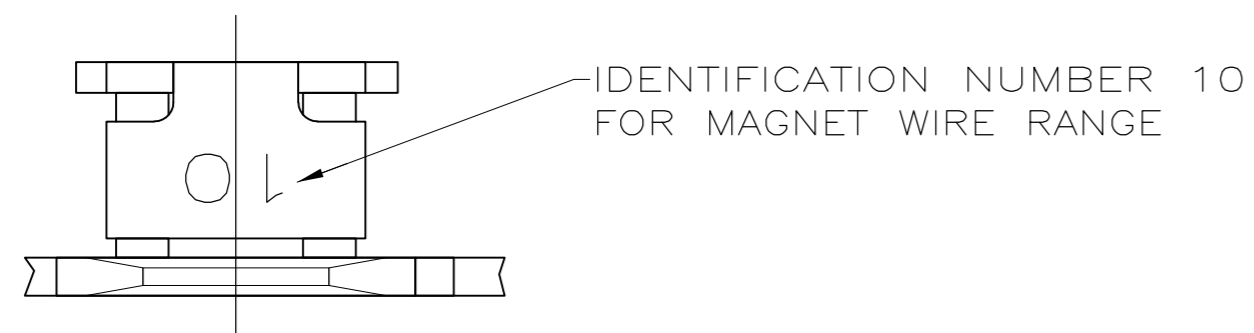


THIS DRAWING IS UNPUBLISHED. RELEASED FOR PUBLICATION
 © COPYRIGHT - By - ALL RIGHTS RESERVED.

LOC	DIST	REVISIONS			
P	LTR	DESCRIPTION	DATE	DWN	APVD
AF	50	D1	ECR-13-017177	05NOV13	PKS RRP



- 1 CONTINUOUS STRIP ON REELS WITH TERMINALS LOCATED ON 5.59±0.08 [.220±.003] CENTERS
- 2 SLOT TERMINATES EITHER A SINGLE OR DOUBLE MAGNET WIRE OF THE SAME SIZE AND TYPE. COPPER RANGE: 0.36_0.57mm [#27-#23] AWG.
- 3 AFTER INSERTION INTO PLASTIC HOLDER TAB PORTION MUST BE BENT OVER 45° TO 90° OR POTTED-IN TO PREVENT PULL-OUT WHEN MATING RECEPTACLE IS DISCONNECTED.
- 4 VARNISH RESIST OVER TIN PER MIL-T-10727.
- 5 TIN PLATED

5	63664-2
4	63664-1

THIS DRAWING IS A CONTROLLED DOCUMENT.		DWN MICHAEL S. FEHER 8/26/92	TE Connectivity	
DIMENSIONS: INCHES		CHK JEFF R. RUTH 8/26/92	NAME NELSON E. NEFF 8/28/92	
TOLERANCES UNLESS OTHERWISE SPECIFIED:		APVD NELSON E. NEFF 8/28/92	PRODUCT SPEC 108-2012	
0 PLC ± -		APPLICATION SPEC 114-2046		
1 PLC ± -		WEIGHT -		
2 PLC ± 0.25 [.010]		SIZE A2 CAGE CODE 00779 DRAWING NO. C-63664		
3 PLC ± -		RESTRICTED TO -		
4 PLC ± -		SCALE 10:1 SHEET 1 of 1 REV D1		
ANGLES ± -		CUSTOMER DRAWING		
FINISH SEE TABLE				