

THIS DRAWING IS UNPUBLISHED.

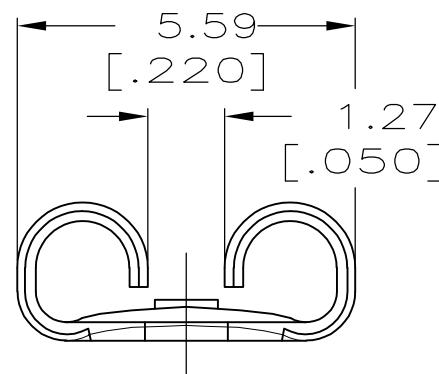
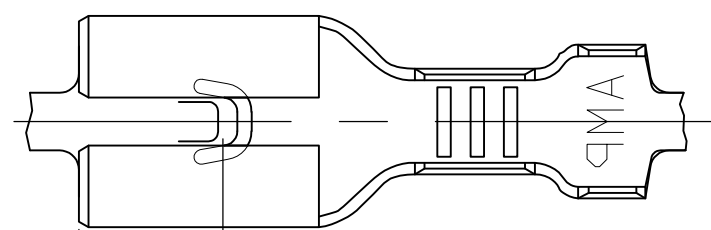
RELEASED FOR PUBLICATION

ALL RIGHTS RESERVED.

LOC AF DIST 50

REVISIONS

P	LTR	DESCRIPTION	DATE	DWN	APVD
	C	REVISED PER ECR-12-013518	23NOV2012	KH	PD



SECTION A-A
SCALE 8:1

1 CONTINUOUS STRIP ON REELS.

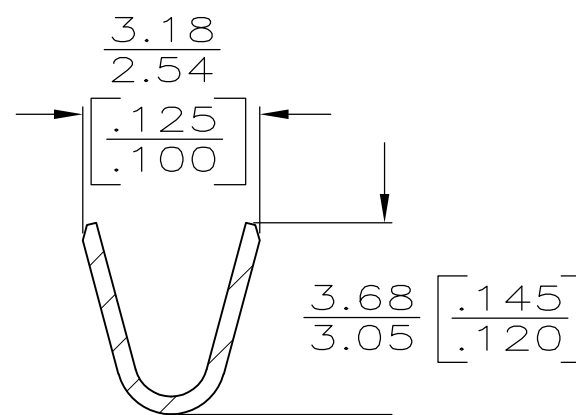
3.61
[.142]

3.30
[.130]

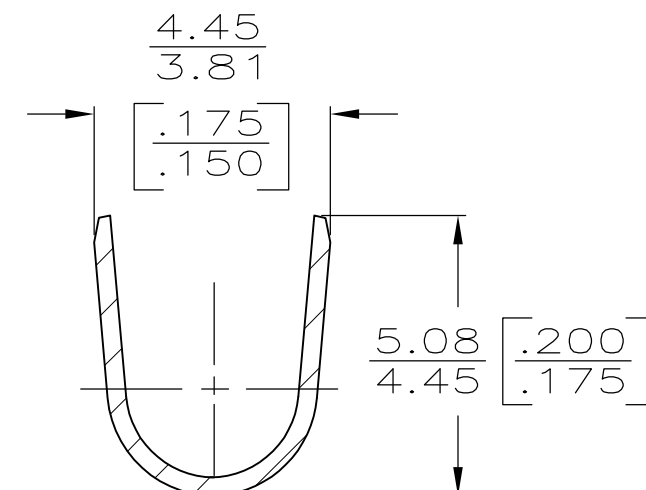
1.78
[.070]

6.35
[.250]

±0.025
0.30
±.001
[.012]



SECTION B-B
SCALE 8:1



SECTION C-C
SCALE 8:1

2.29-3.30 DIA [.090-.130] DIA	0.5-1.3mm ² [#20-#16] AWG	-	63654-1
INSUL RANGE	WIRE SIZE	FINISH	PART NO

THIS DRAWING IS A CONTROLLED DOCUMENT.		DWN JR RUTH 8/19/96	TE Connectivity RECEPTACLE, FASTON, LOW-INSERTION, 4.75 [.187] SERIES	
DIMENSIONS: mm [INCHES]		CHK MS FEHER 8/19/96		
TOLERANCES UNLESS OTHERWISE SPECIFIED:		APVD P DESANTIS 8/19/96		
0 PLC ± - 1 PLC ± - 2 PLC ± 0.25 [.010] 3 PLC ± - 4 PLC ± - ANGLES ± -		PRODUCT SPEC -		
MATERIAL BRASS		FINISH -	APPLICATION SPEC -	RESTRICTED TO -
		WEIGHT -	SIZE A3	CAGE CODE 00779
		CUSTOMER DRAWING	DRAWING NO C-63654	RESTRICTED TO -
			SCALE 5:1	SHEET 1 OF 1
				REV C