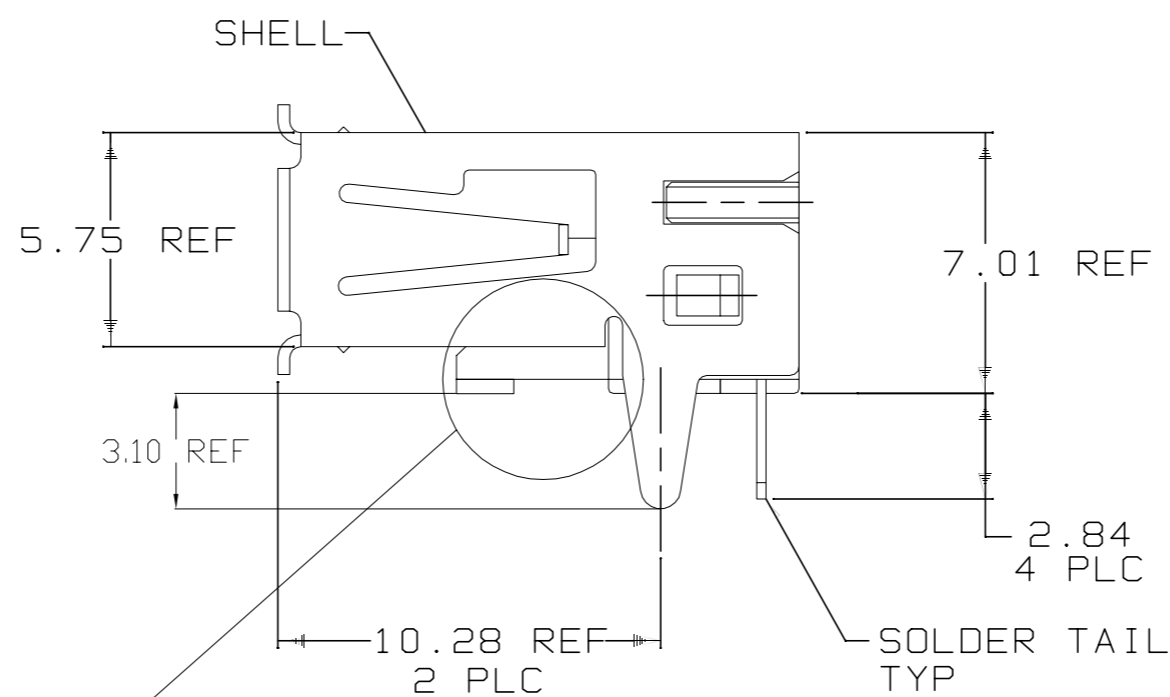
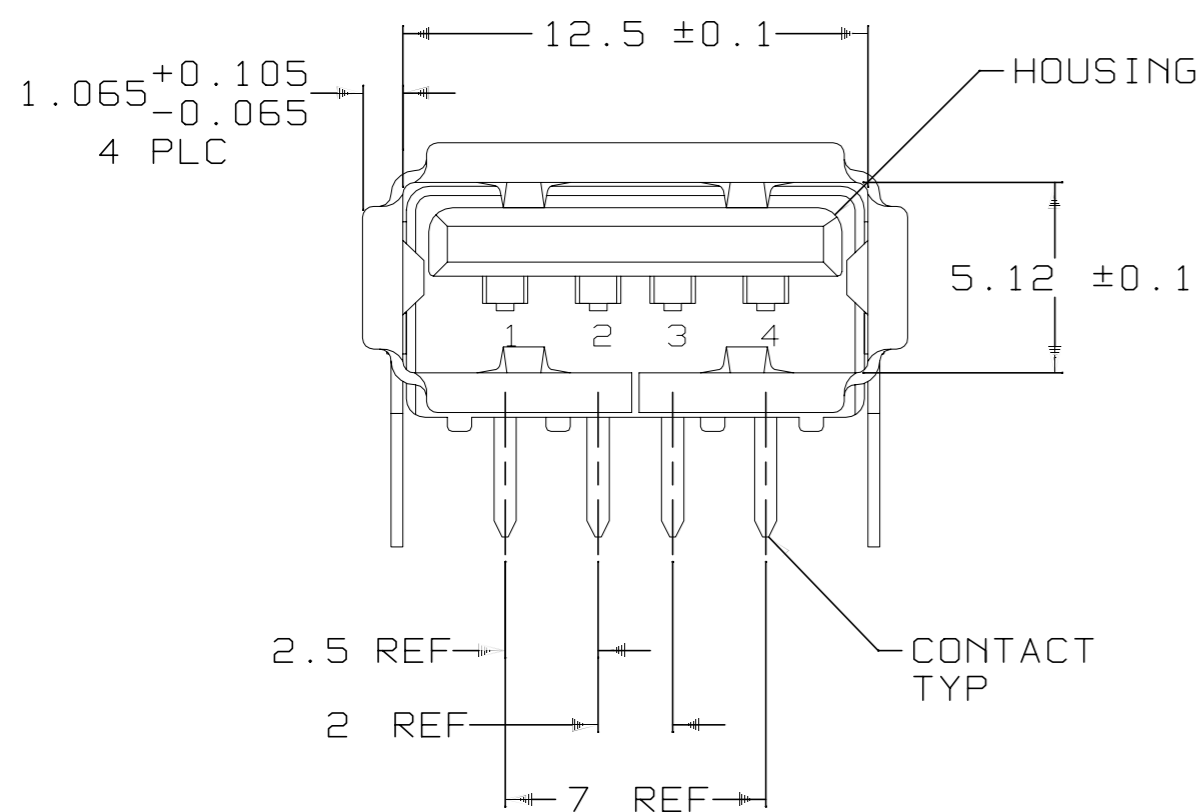
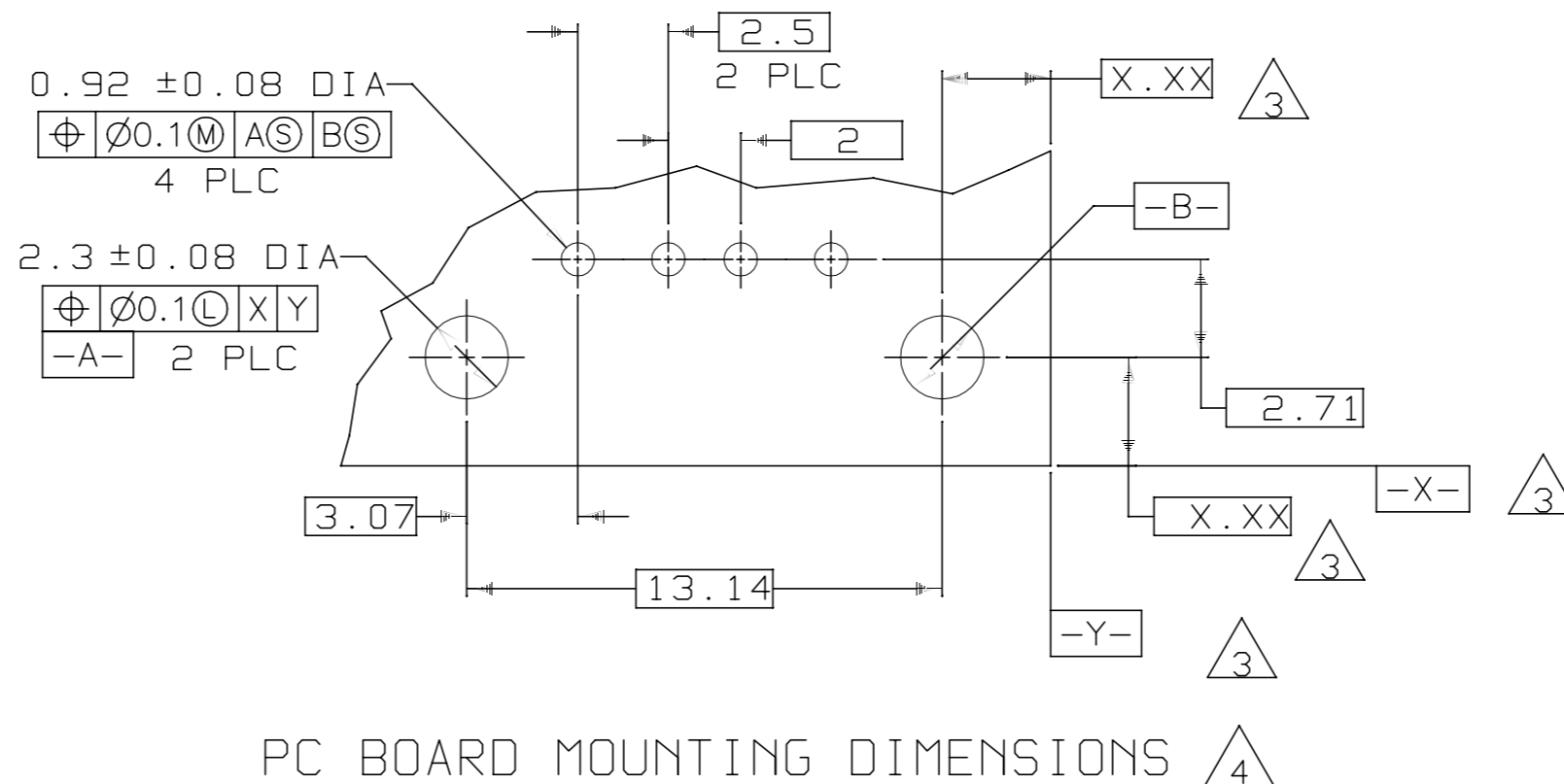
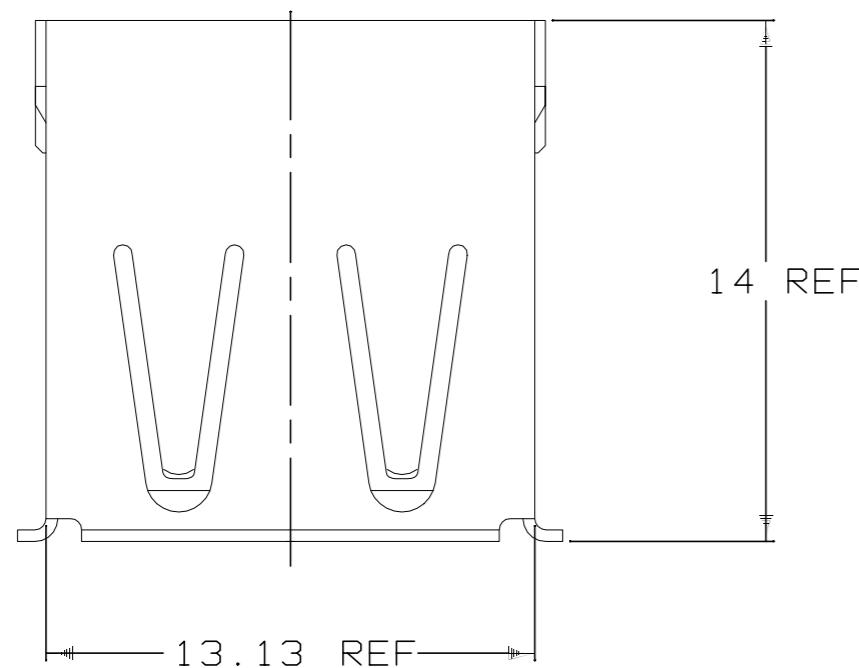


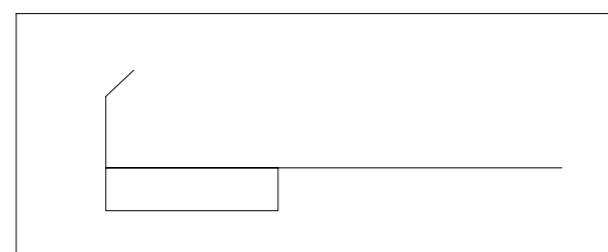
REVISIONS					
P	LTR	DESCRIPTION	DATE	DWN	APVD
B		REVISED PER ECN-21-127628	28OCT2021	AK	SZ



- 1 MATERIAL:
 SHELL & CONTACTS- COPPER ALLOY.
 HOUSING- UL 94V-0 RATED, THERMOPLASTIC, COLOR SEE TABLE.
- 2 PLATING:
 CONTACTS- 0.076um MINIMUM GOLD OVER 0.76um MINIMUM PALLADIUM-NICKEL ON MATING AREA.
 3.8um MINIMUM MATTE TIN ON SOLDER TAILS.
 BOTH OVER 1.27um MINIMUM NICKEL.
 CONTACT ALTERNATE PLATING: 0.76um MIN GOLD ON MATING AREA, 3.80um MIN MATTE TIN ON SOLDER TAILS, BOTH OVER 1.27um MIN NICKEL.
 SHELL: MINIMUM BRIGHT TIN OVER MIN NICKEL.
- 3 DATUM AND BASIC DIMENSIONS ESTABLISHED BY CUSTOMER.
- 4 RECOMMENDED PC BOARD THICKNESS OF 1.57.

OBSOLETE

TAPE&REEL	YES	BLACK	6364372-5
TAPE&REEL	YES	BLACK	6364372-4
TAPE&REEL	YES	NATURAL	6364372-3
TUBE	YES	NATURAL	6364372-2
TUBE	NO	BLACK	6364372-1
PACKAGING	HIGH TEMPERATURE COMPATIBLE	HOUSING COLOR	PART NUMBER



EXTENDED BLOCK FEATURE IN HOUSING APPLICABLE TO 6364372-4 ONLY.

DIMENSIONS:		TOLERANCES UNLESS OTHERWISE SPECIFIED:		APVD		NAME	
mm		0 PLC	± -	J.JIANG	12APR2004	RECEPTACLE ASSEMBLY, RIGHT ANGLE, 4 POSITION, THRU-HOLE, USB	
		1 PLC	± -	S.YAO	12APR04	108-60034	
		2 PLC	± 0.25	J.QU	12APR04	APPLICATION SPEC	
		3 PLC	± -			SIZE CAGE CODE DRAWING NO	
		4 PLC	± -			A2 00779 C=6364372	
		ANGLES	± -			RESTRICTED TO	
MATERIAL	1	FINISH	2	WEIGHT -		SCALE 5:1 SHEET 1 of 1 REV B	
				CUSTOMER DRAWING			