

4

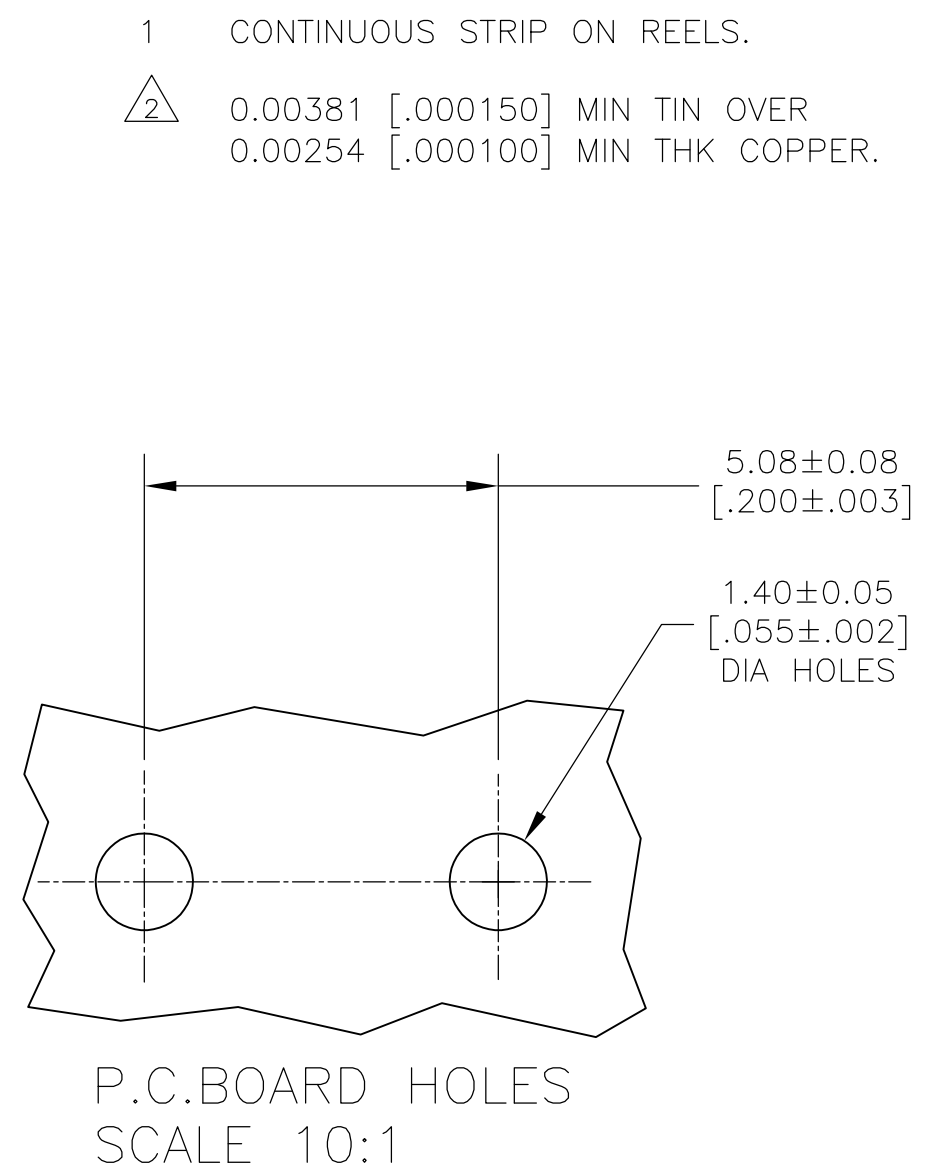
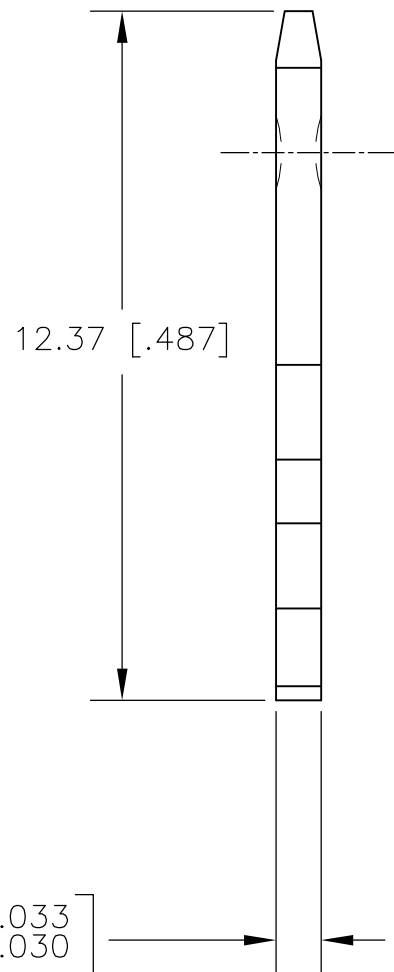
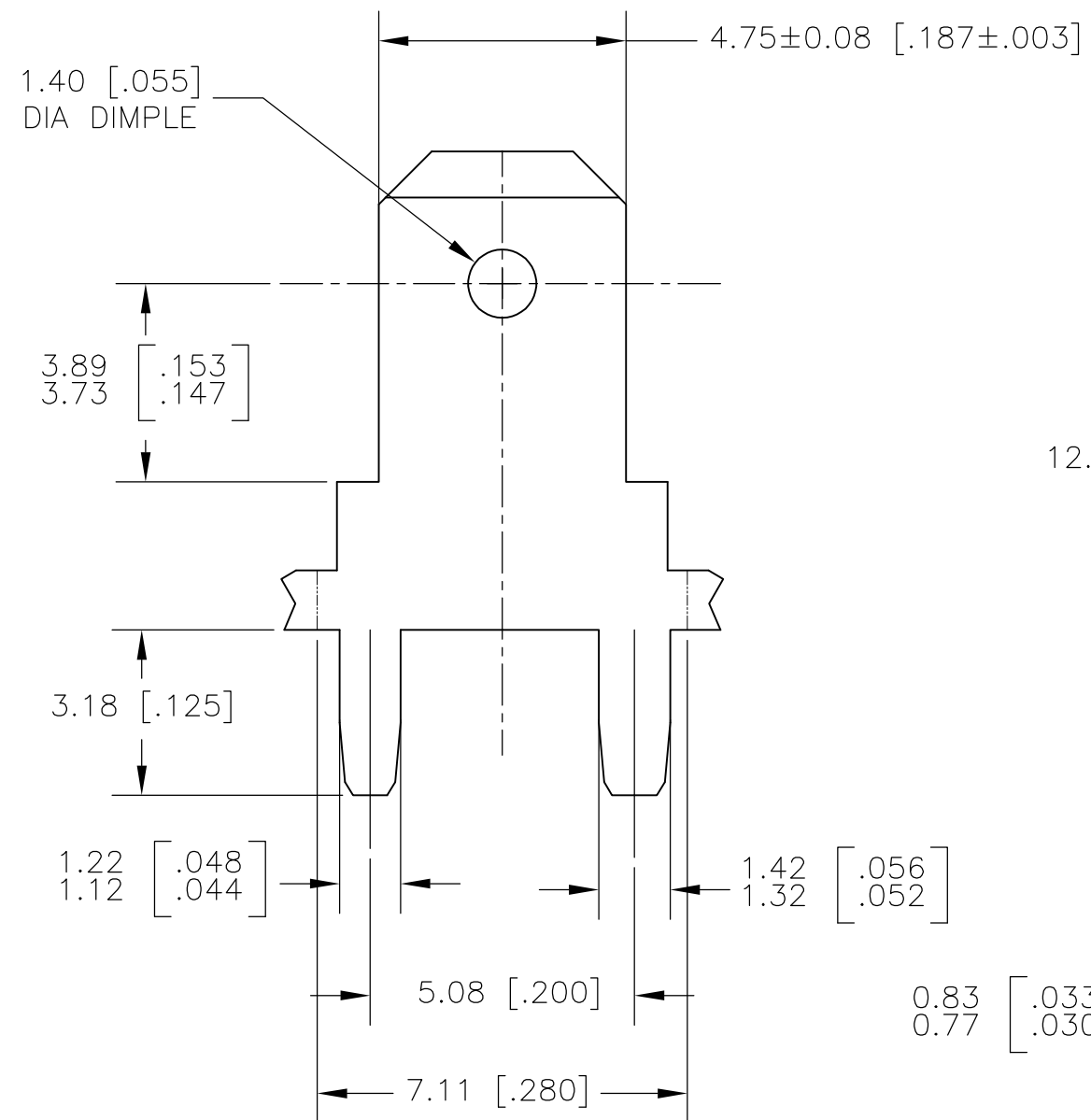
3

2

1

THIS DRAWING IS UNPUBLISHED. RELEASED FOR PUBLICATION - , - .
 © COPYRIGHT - By - ALL RIGHTS RESERVED.

LOC	DIST	REVISIONS			
P	LTR	DESCRIPTION	DATE	DWN	APVD
AF	50				
		E	REVISED PER ECR-13-001204	20JUN13	KH PD



63525-1
PART NUMBER

THIS DRAWING IS A CONTROLLED DOCUMENT.		DWN	JR RUTH	30NOV00	 TE Connectivity	NAME		TAB, FASTON, PC BOARD, 4.75 [.187] SERIES		
DIMENSIONS: mm[INCHES]		CHK	MS FEHER	30NOV00		PRODUCT SPEC		SIZE	CAGE CODE	DRAWING NO
		APVD	G PORTA	30NOV00		APPLICATION SPEC		A3	00779	C-63525
TOLERANCES UNLESS OTHERWISE SPECIFIED:		MATERIAL		FINISH		WEIGHT	RESTRICTED TO		SCALE	
0 PLC ± - 1 PLC ± - 2 PLC ± 0.25 [.010] 3 PLC ± - 4 PLC ± - ANGLES ± -		BRASS		TIN OVER COPPER	-	-		8:1	SHEET 1 of 1	
CUSTOMER DRAWING							REV E			