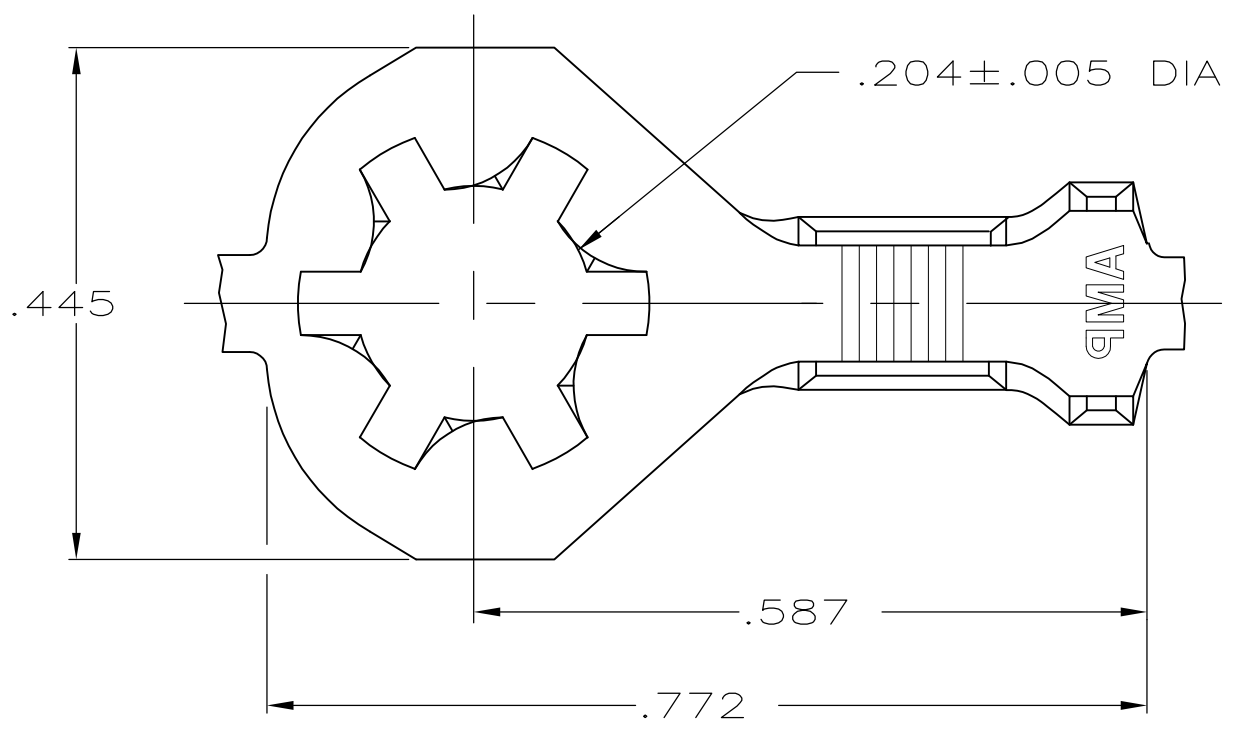
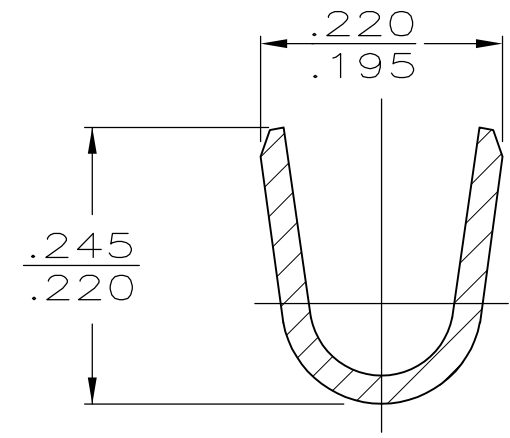
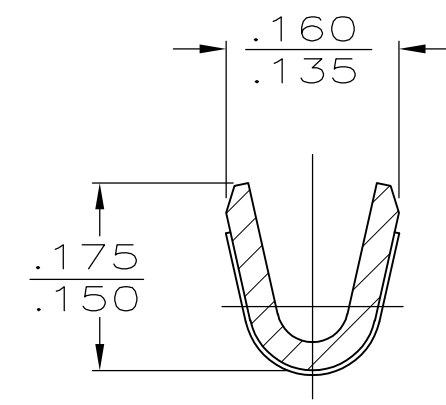


THIS DRAWING IS UNPUBLISHED. RELEASED FOR PUBLICATION
 © COPYRIGHT - By - ALL RIGHTS RESERVED.

LOC	DIST	REVISIONS					
AF	50	P	LTR	DESCRIPTION	DATE	DWN	APVD
		B2		REVISED PER ECR-15-010442	14JULY2015	PK	TD

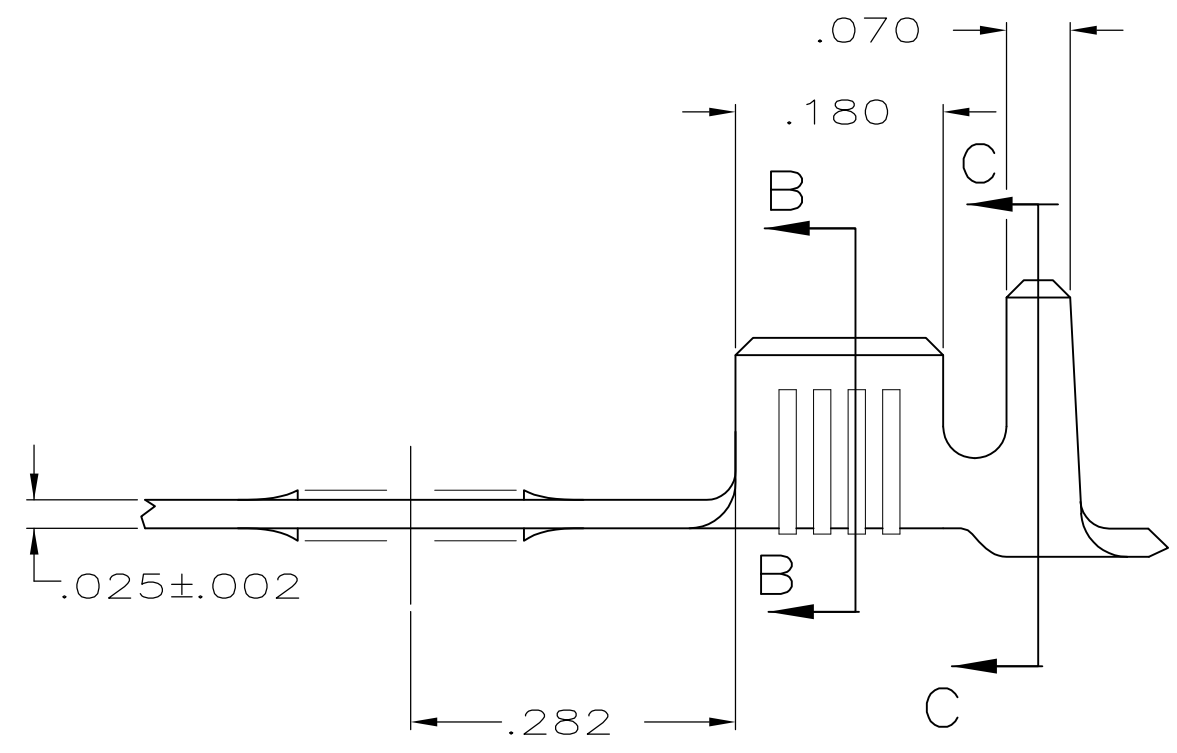


- 1 CONTINUOUS STRIP ON REELS
- 2 63482-4 REFERS TO 63482-1 WITH PAPER INTERLAYER.



SECTION B-B

SECTION C-C



.105-.145 (2).110 STACKED	18-14	2 63482-4 63482-1
INSULATION RANGE	WIRE SIZE	PART NO

THIS DRAWING IS A CONTROLLED DOCUMENT.		DWN P FORTNEY 3/21/88	STE TE Connectivity														
DIMENSIONS: INCHES		CHK JR RUTH 3/23/88															
TOLERANCES UNLESS OTHERWISE SPECIFIED:		APVD D DECKER 3/23/88	NAME														
<table border="1"> <tr><td>0 PLC</td><td>± -</td></tr> <tr><td>1 PLC</td><td>± -</td></tr> <tr><td>2 PLC</td><td>± -</td></tr> <tr><td>3 PLC</td><td>± .015</td></tr> <tr><td>4 PLC</td><td>± -</td></tr> <tr><td>ANGLES</td><td>± -</td></tr> </table>		0 PLC	± -	1 PLC	± -	2 PLC	± -	3 PLC	± .015	4 PLC	± -	ANGLES	± -	PRODUCT SPEC	RING		
0 PLC	± -																
1 PLC	± -																
2 PLC	± -																
3 PLC	± .015																
4 PLC	± -																
ANGLES	± -																
MATERIAL T2 STEEL		FINISH TIN PL	APPLICATION SPEC	SIZE	CAGE CODE	DRAWING NO	RESTRICTED TO										
						A3 00779 C-63482											
CUSTOMER DRAWING			WEIGHT	SCALE	SHEET	REV											
				6:1	1 OF 1	B2											