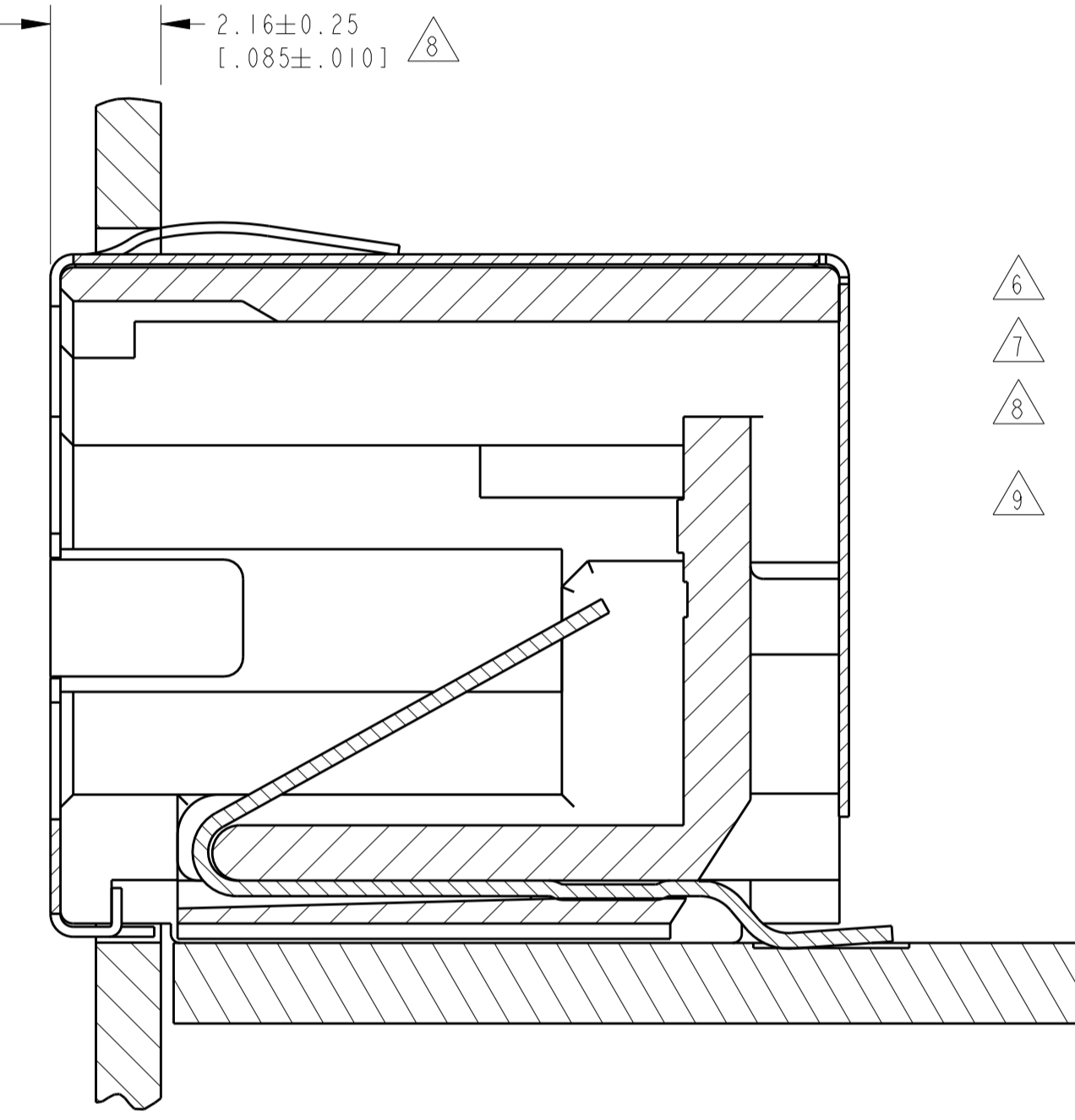
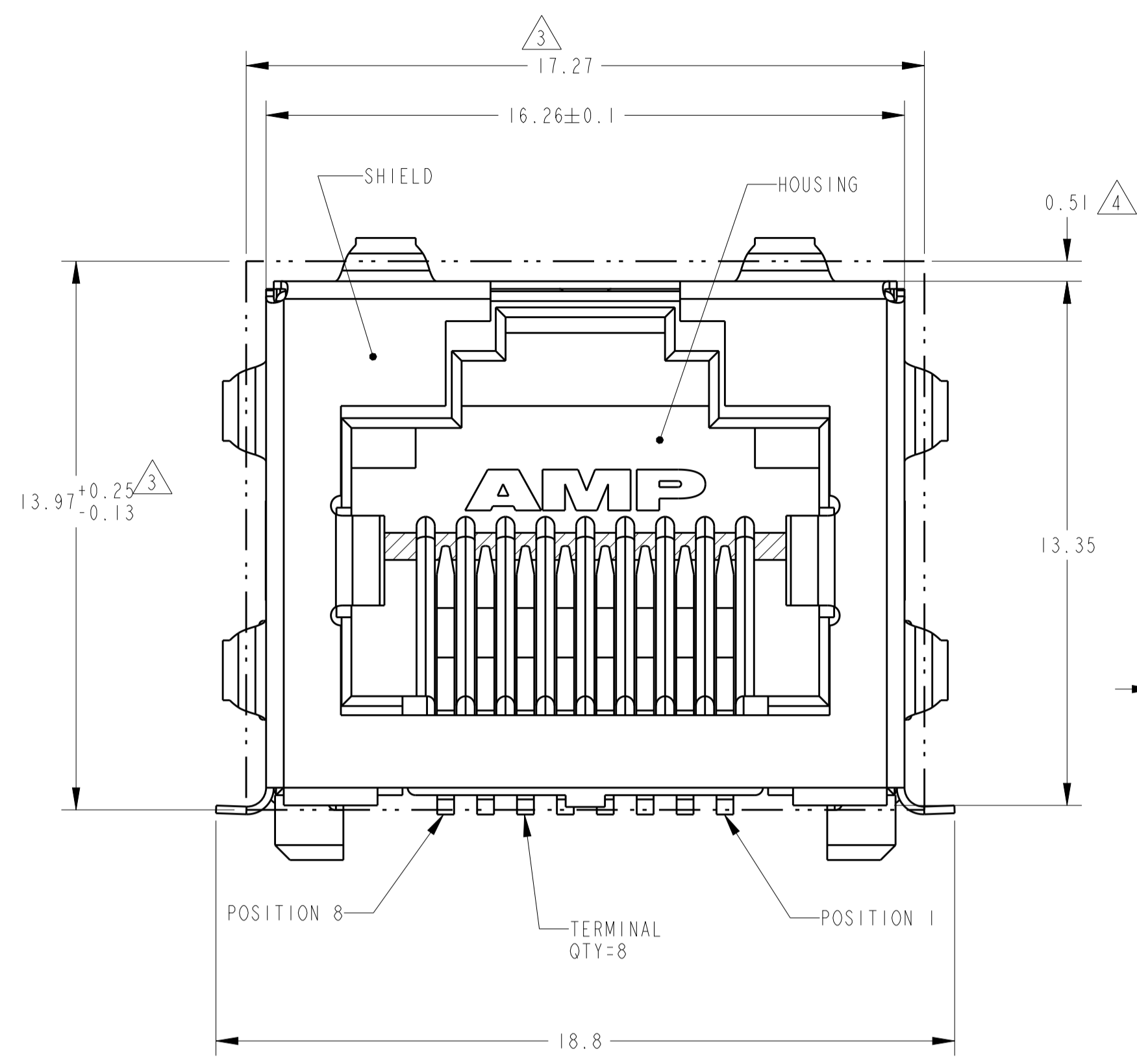
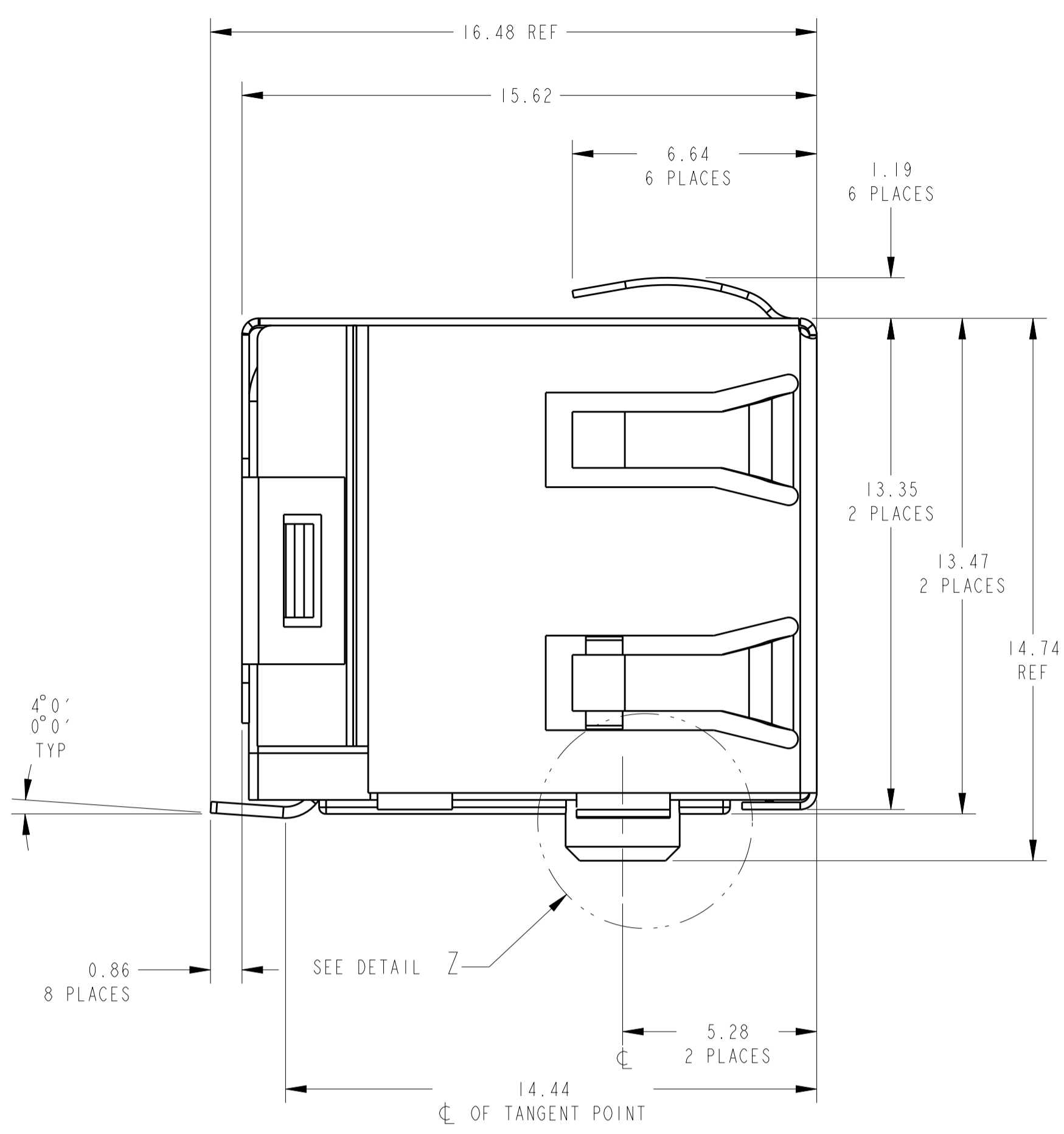
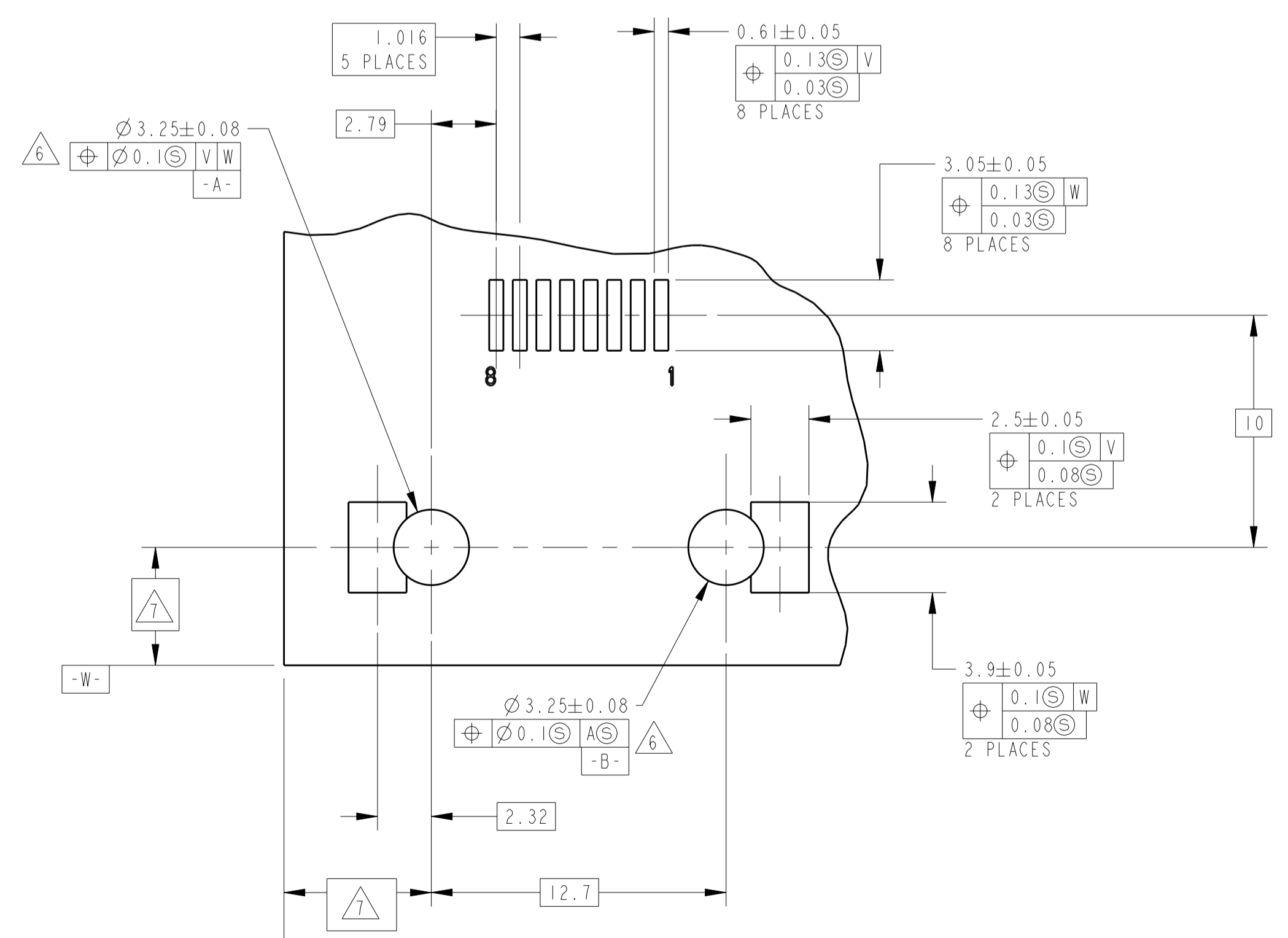
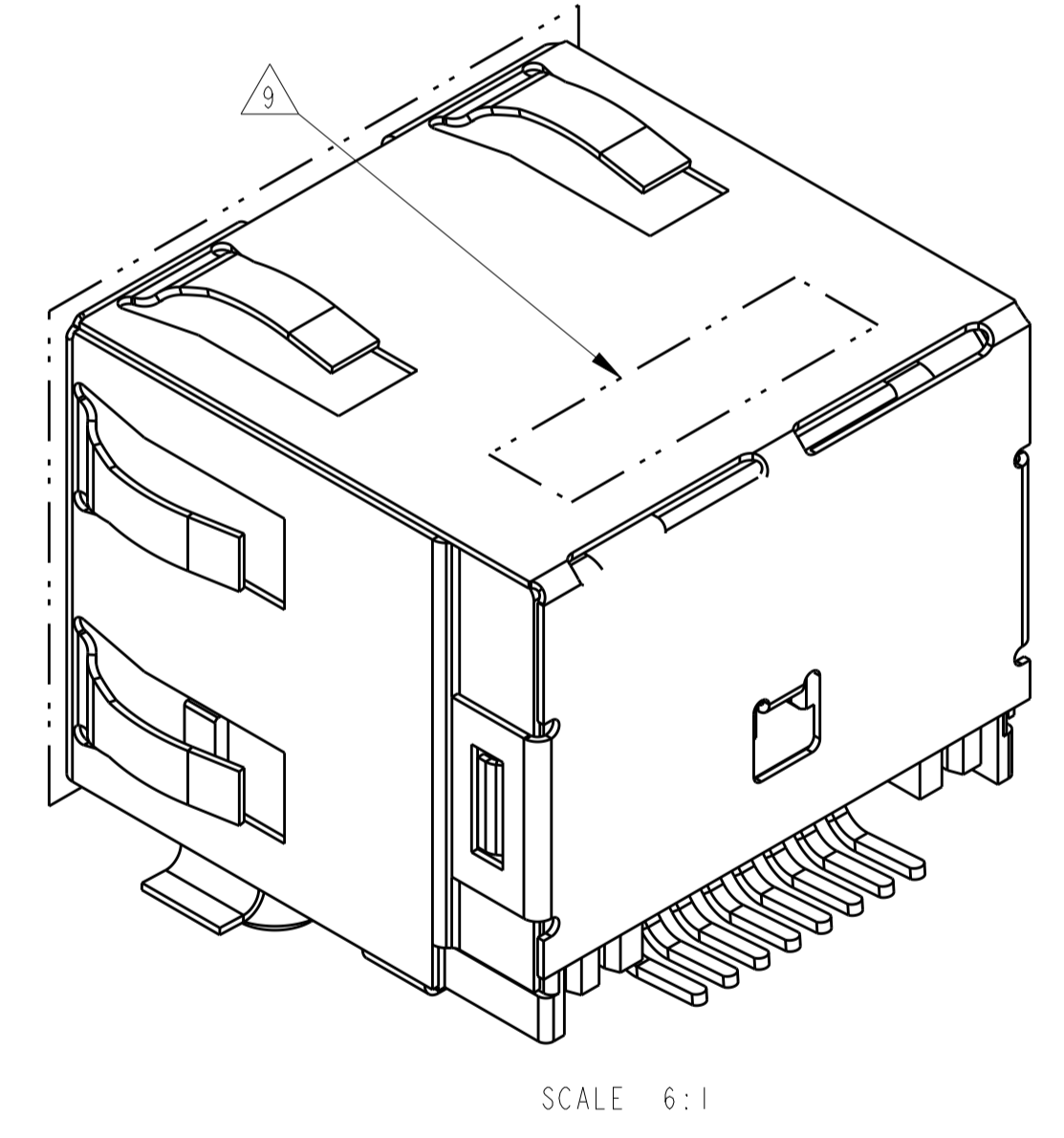
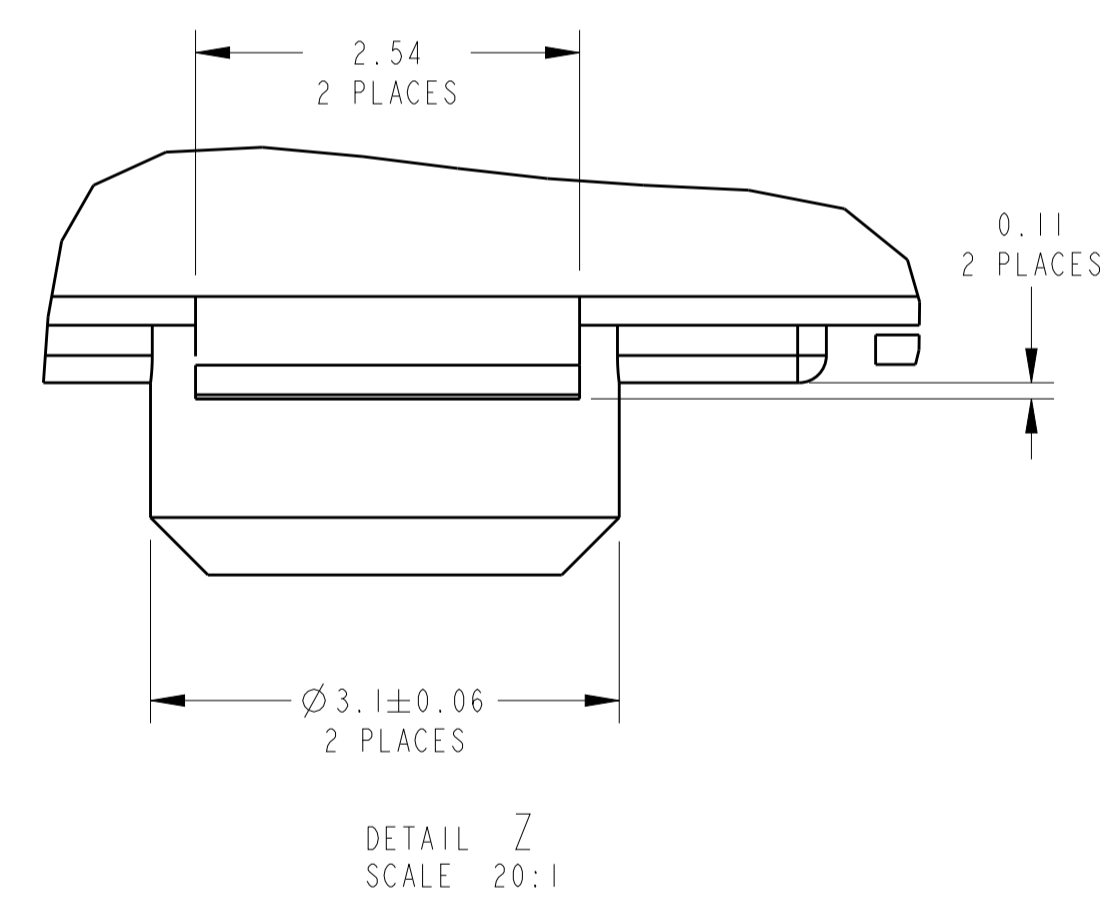


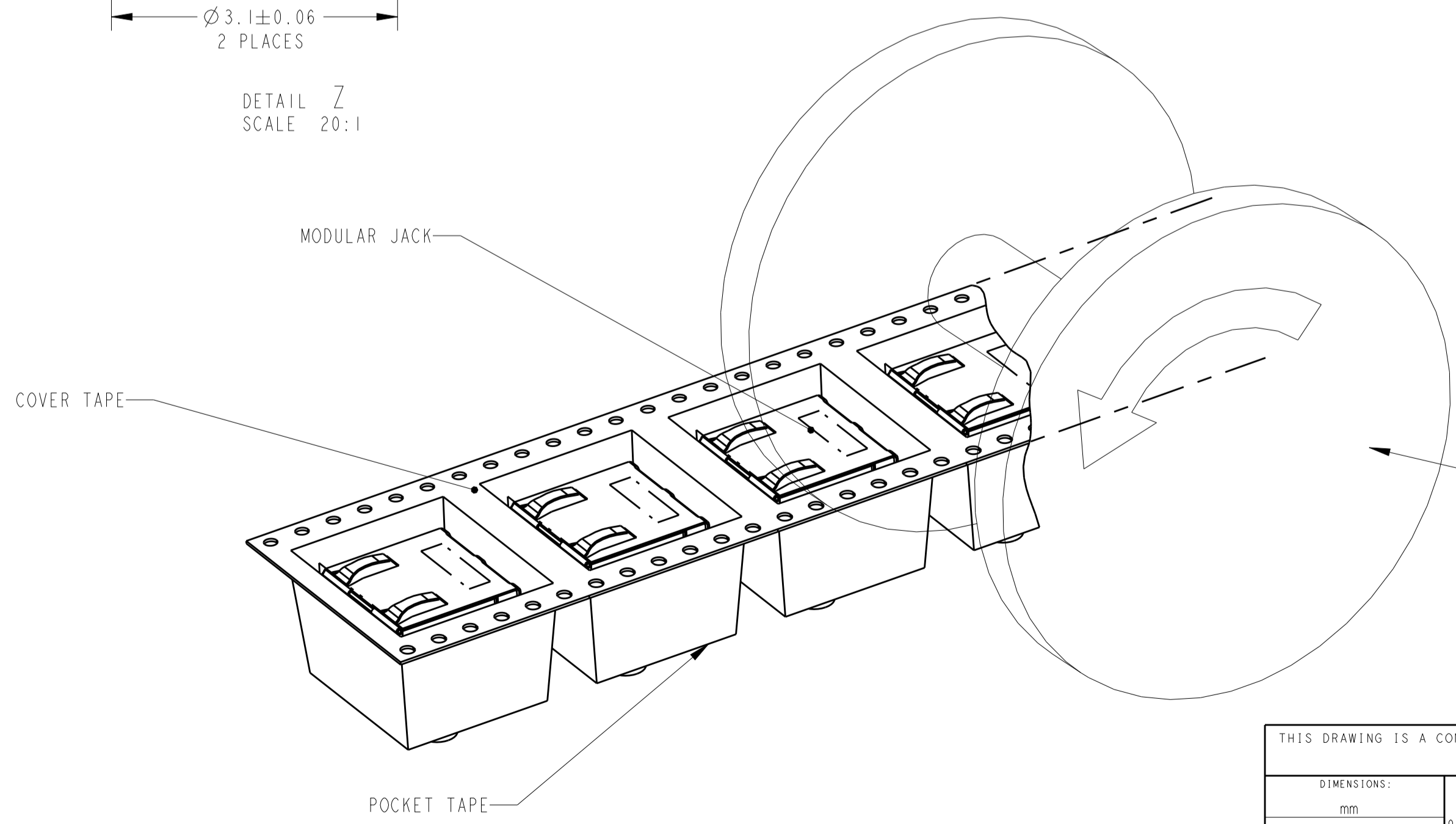
LOC	DIST	REV	DESCRIPTION	DATE	OWN	APPV
IR	-	D	HOUSING RAW MATERIAL CHANGED TO LCP	18NOV2011	PS	RRP
		E	OBSOLETE 6339160-4	25JUL2013	CW	SH



- MATERIAL:
 HOUSING - HIGH TEMP. THERMOPLASTIC - LCP. COLOR: SEE TABLE, UL94V-0.
 TERMINALS - 0.30 THICK PHOS BRONZE PLATED WITH 2.03µm MIN THICK MATTE TIN IN SOLDER AREA.
 GOLD (SEE TABLE) IN LOCALIZED PLATE AREA OVER 1.27µm MIN THICK NICKEL.
 SHIELD - (SEE TABLE) 0.196 THK BRASS PREPLATED WITH 2.03µm-3.81µm THICK MATTE TIN OVER 0.76µm-2.03µm NICKEL UNDERPLATE, OR 0.76-2.03µm NICKEL WITH SELECTIVE TIN PLATED SOLDER TABS.
 - JACK CAVITY CONFORMS TO FCC RULES AND REGULATIONS PART 68, SUBPART F.
- 3 SUGGESTED PANEL OPENING DIMENSIONS. SEE APPLICATION SPEC. 114-2154 FOR PANEL THICKNESS AND POSITION RECOMMENDATIONS
 4 SUGGESTED CLEARANCE BETWEEN TOP OF CONNECTOR AND TOP PANEL OPENING
 5 PACKAGED: POCKET TAPE & REEL (PER EIA 481 SPECIFICATIONS)
 POCKET TAPE WIDTH - 44mm
 POCKET PITCH - 24mm
 POCKET DEPTH - 16.7mm
 CLEAR COVER TAPE, PSA
 CLEAR COVER TAPE TRAILER - 1220mm, WRAPPED ON REEL HUB
 PLASTIC REEL - 381mm DIAMETER
 PRODUCT QUANTITY - 200 PIECES PER REEL
- 6 ZERO INSERTION FORCE POST WITH RECOMMENDED PCB LAYOUT
 7 DATUM ESTABLISHED BY CUSTOMER.
 8 CONNECTOR SHOULD BE POSITIONED THRU PANEL CUTOUT AS SHOWN TO SUPPORT TOP OF MODULAR JACK FOR STRAIN RELIEF.
 9 MANUFACTURING DATE CODE LOCATED APPROXIMATELY AS SHOWN. FIRST 2 DIGITS ARE YEAR, SECOND 2 DIGITS ARE WORK WEEK, LAST DIGIT IS THE DAY OF THE WEEK



SUGGESTED PCB LAYOUT
(COMPONENT SIDE)



OBsolete	GOLD THICKNESS	SHIELD PLATING	HOUSING COLOR	PART NUMBER
0.38µm	MATTE TIN	YELLOW	6339160-4	
0.76µm	MATTE TIN	YELLOW	6339160-3	
1.27µm	NICKEL	BLACK	6339160-2	
1.27µm	MATTE TIN	BLACK	6339160-1	

THIS DRAWING IS A CONTROLLED DOCUMENT.

DIMENSIONS: mm
 TOLERANCES UNLESS OTHERWISE SPECIFIED:
 0 PLC ±
 1 PLC ±0.25
 2 PLC ±
 3 PLC ±
 4 PLC ±
 ANGLES ±

MATERIAL: SEE NOTE 1
 FINISH: SEE NOTE 1

DWG: D. WILLIS/J. A. MATYR 09MAY2005
 CHK: J. WESTMAN 09MAY2005
 APVD: S. FLICKINGER 09MAY2005
 NAME: INVERTED MOD JACK ASSEMBLY, 1X1, SHIELDED SURFACE MOUNT, 8 POSITION RJ45
 PRODUCT SPEC: 108-1163-7
 APPLICATION SPEC: 114-6040/114-2154
 SIZE: A1
 CAGE CODE: 6339160
 DRAWING NO: 00779
 CUSTOMER DRAWING

STE TE Connectivity
 SCALE 8:1 SHEET 1 OF 1 REV E