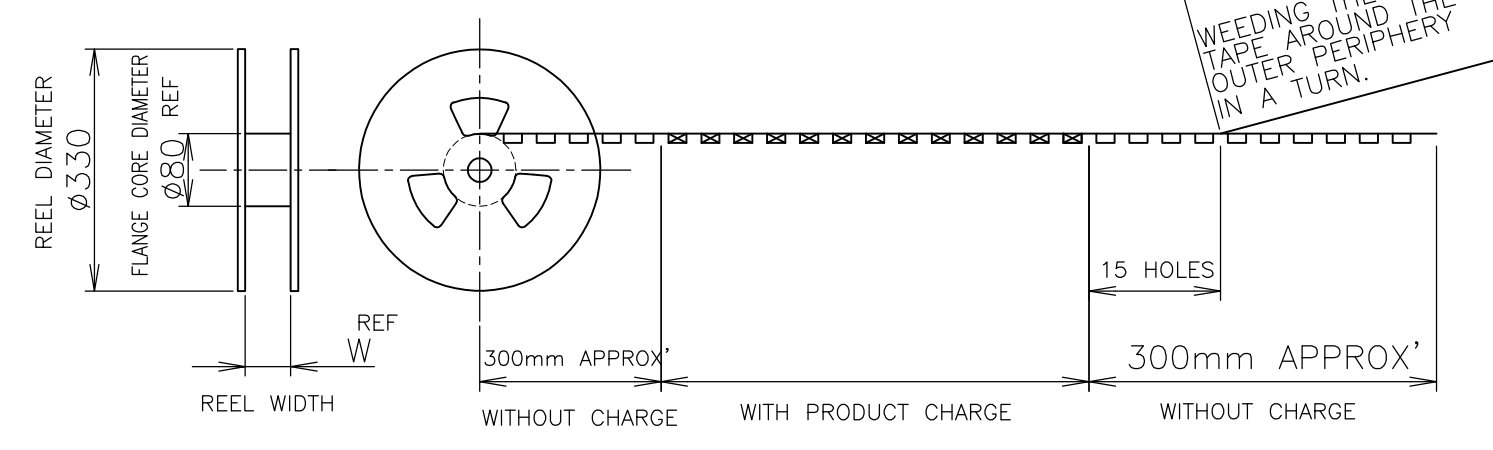
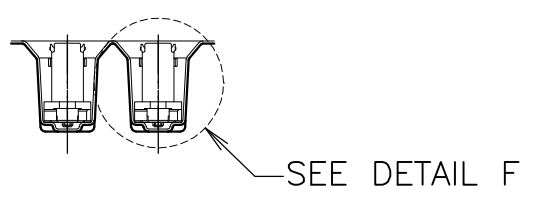
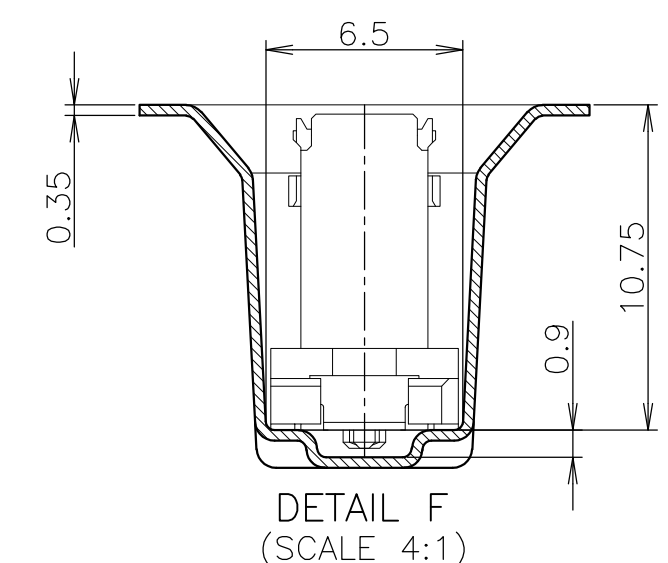
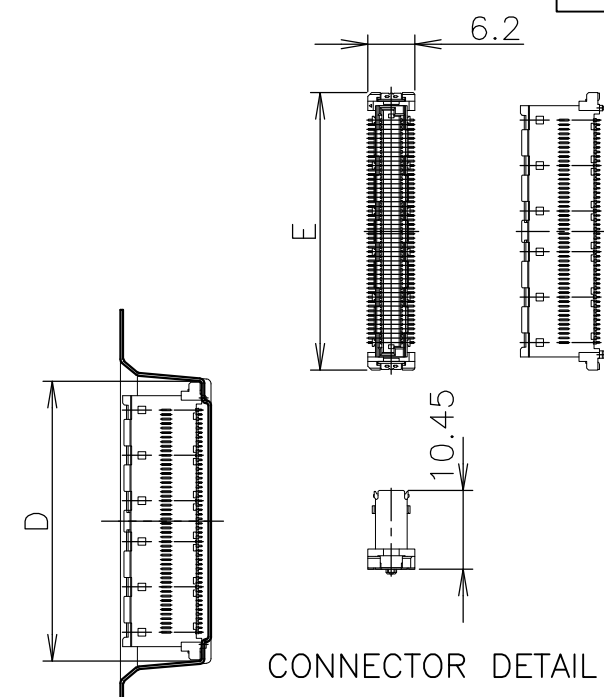
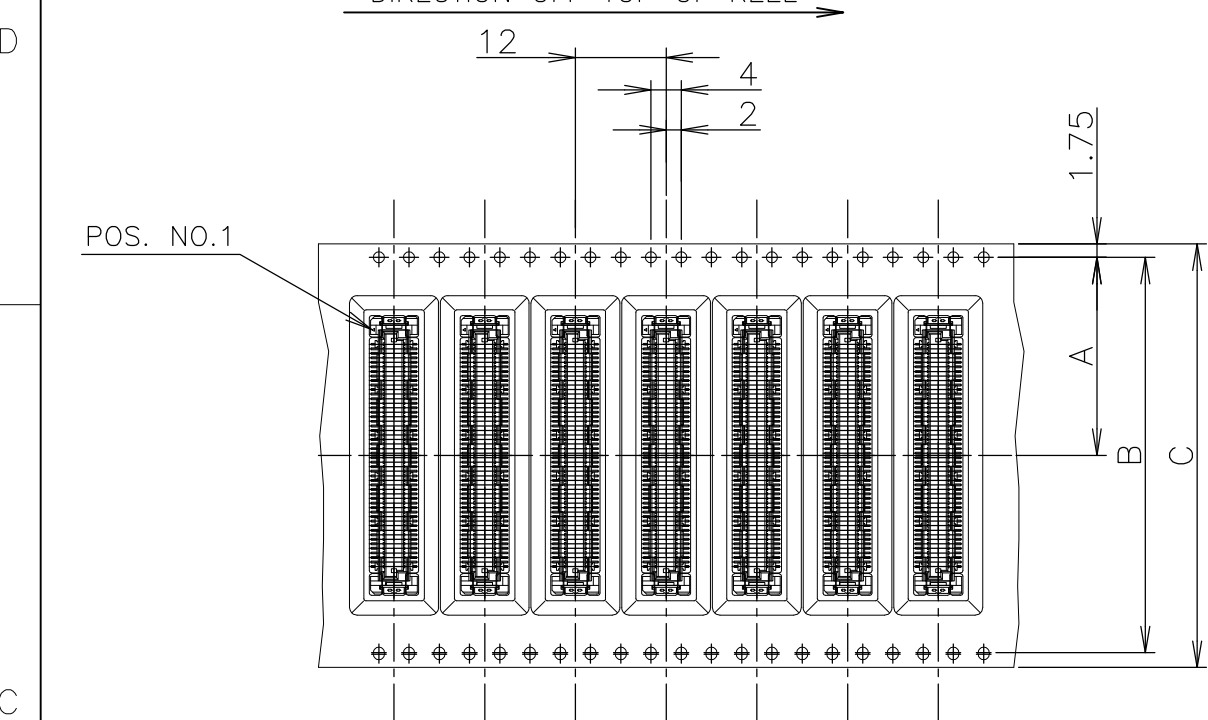


THIS DRAWING IS UNPUBLISHED. RELEASED FOR PUBLICATION AUG, 1999.  
 © COPYRIGHT 1999 BY TYCO ELECTRONICS CORPORATION. ALL RIGHTS RESERVED.

LOC	DIST	REVISIONS			DATE	DWN	APVD
J		P	LTR	DESCRIPTION			
		A	REVISED	ECR-08-000339	01FEB08	T.T	T.F



WEEDING THE COVER TAPE AROUND THE OUTER PERIPHERY IN A TURN.

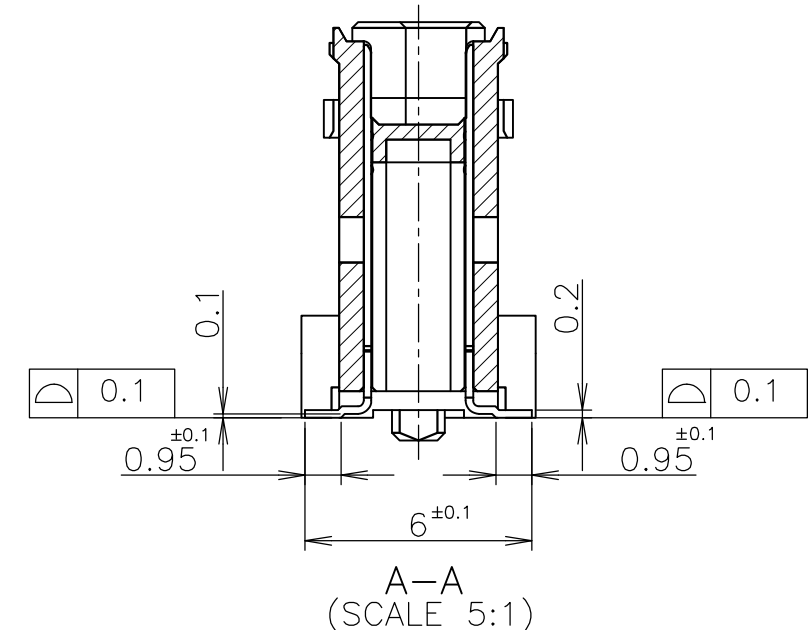
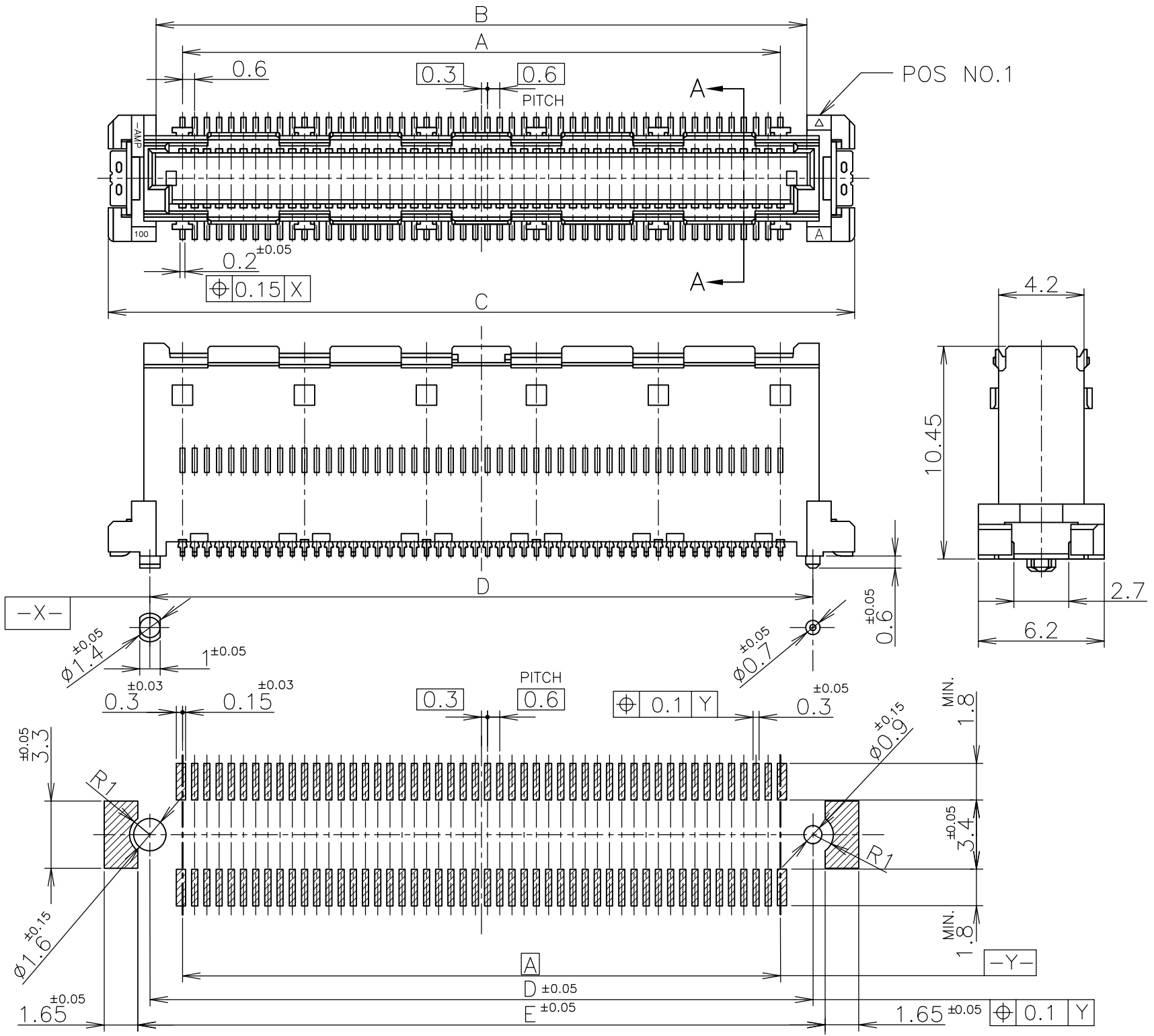
SEALANT	NOT AVAILABLE	350	77.5	54.7	55	72	68.4	34.2	160	6-6318950-1
			77.5	48.7	49	72	68.4	34.2	140	6- - -0
			61.5	42.7	43	56	52.4	26.2	120	5- - -9
			61.5	36.7	37	56	52.4	26.2	100	5- - -8
			61.5	33.7	34	56	52.4	26.2	90	5- - -7
			49.5	30.7	31	44	40.4	20.2	80	5- - -6
			49.5	27.7	28	44	40.4	20.2	70	5- - -5
			49.5	24.7	25	44	40.4	20.2	60	5- - -4
			37.5	21.7	22	32	28.4	14.2	50	5- - -3
			37.5	18.7	19	32	28.4	14.2	40	5- - -2
NON SEALANT	NOT AVAILABLE	350	29.5	15.7	16	24	--	11.5	30	5-6318950-1
	NOT AVAILABLE	350	77.5	54.7	55	72	68.4	34.2	160	1-6318950-1
			77.5	48.7	49	72	68.4	34.2	140	1- - -0
	NOT AVAILABLE		61.5	42.7	43	56	52.4	26.2	120	- - -9
	AVAILABLE		61.5	36.7	37	56	52.4	26.2	100	- - -8
	NOT AVAILABLE		61.5	33.7	34	56	52.4	26.2	90	- - -7
			49.5	30.7	31	44	40.4	20.2	80	- - -6
			49.5	27.7	28	44	40.4	20.2	70	- - -5
			49.5	24.7	25	44	40.4	20.2	60	- - -4
			37.5	21.7	22	32	28.4	14.2	50	- - -3
		37.5	18.7	19	32	28.4	14.2	40	- - -2	
NOT AVAILABLE	350	29.5	15.7	16	24	--	11.5	30	6318950-1	

THIS PRODUCT WAS COATED BY FLUX-PENETRATION-INHIDITING AGENT.

THIS DRAWING IS A CONTROLLED DOCUMENT.		DWN	HAWKING HE	13DEC04	Tyco Electronics Corporation Kawasaki, Japan		
DIMENSIONS: 単位: 耗 mm		CHK	STEVEN YAO	13DEC04	NAME 名称		
TOLERANCES UNLESS OTHERWISE SPECIFIED: 一般公差		APVD	I.ENOMOTO	13DEC04	EMBOSS ASSY		
0 PLC ± 0.2		PRODUCT SPEC		FH 0.6BTB CONNECTOR			
1 PLC ± 0.2		製品規格		PLUG 11H STD TYPE			
2 PLC ± 0.2		APPLICATION SPEC		SIZE	CAGE CODE	DRAWING NO	RESTRICTED TO
3 PLC ± 0.2		取付適用規格		A3	00779	G-6318950	
4 PLC ± 0.2		FINISH 仕上		SCALE 尺度 1:1			
MATERIAL 材料		WEIGHT		SHEET 1 OF 2			
		CUSTOMER DRAWING		REV A			

THIS DRAWING IS UNPUBLISHED. RELEASED FOR PUBLICATION AUG, 1999. ALL RIGHTS RESERVED.

LOC		DIST		REVISIONS 変更			DATE	DWN	APVD
P	LTR	DESCRIPTION							
J				SEE SHEET 1			-	-	-



- ① MATERIAL ; HOUSING : HIGH TEMP THERMO PLASTIC UL94V-0  
CONTACT : COPPER ALLOY
- ② FINISH ; UNDER PL Ni 0.0013mm MIN ALL OVER.  
CONTACT AREA 0.0002 MIN Au PL.  
SOLDERING AREA 0.001 MIN TIN PL.

NOT AVAILABLE	51.8	50.6	54.7	50	47.4	160
↑	45.8	44.6	48.7	44	41.4	140
NOT AVAILABLE	39.8	38.6	42.7	38	35.4	120
AVAILABLE	33.8	32.6	36.7	32	29.4	100
NOT AVAILABLE	30.8	29.6	33.7	29	26.4	90
↑	27.8	26.6	30.7	26	23.4	80
↑	24.8	23.6	27.7	23	20.4	70
↑	21.8	20.6	24.7	20	17.4	60
↑	19.8	17.6	21.7	17	14.4	50
↑	15.8	14.6	18.7	14	11.4	40
NOT AVAILABLE	12.8	11.6	15.7	11	8.4	30
TOOLING STATUS	E	D	C	B	A	POS

REFERENCE P.C.BOARD LAYOUT (VIEW FROM CONN. MOUNTING SIDE)

GENERAL TOLERANCE 一般公差

10 ≥	±0.2
30 ≥	>10: ±0.25
100 ≥	>30: ±0.3
ANGLES: ±3°	

THIS DRAWING IS A CONTROLLED DOCUMENT.		DWN	Tyco Electronics Corporation Kawasaki, Japan	
DIMENSIONS: 単位: 耗 mm	TOLERANCES UNLESS OTHERWISE SPECIFIED: 一般公差	CHK	NAME 名称	
		APVD	EMBOSS ASSY FH 0.6BTB CONNECTOR PLUG 11H STD TYPE	
MATERIAL 材料	FINISH 仕上	PRODUCT SPEC 製品規格	SIZE	CAGE CODE
		APPLICATION SPEC 取付適用規格	A3	00779
		WEIGHT	DRAWING NO 番号	
		CUSTOMER DRAWING		RESTRICTED TO
		SCALE 尺度 4:1		SHEET 2 OF 2
		REV A		