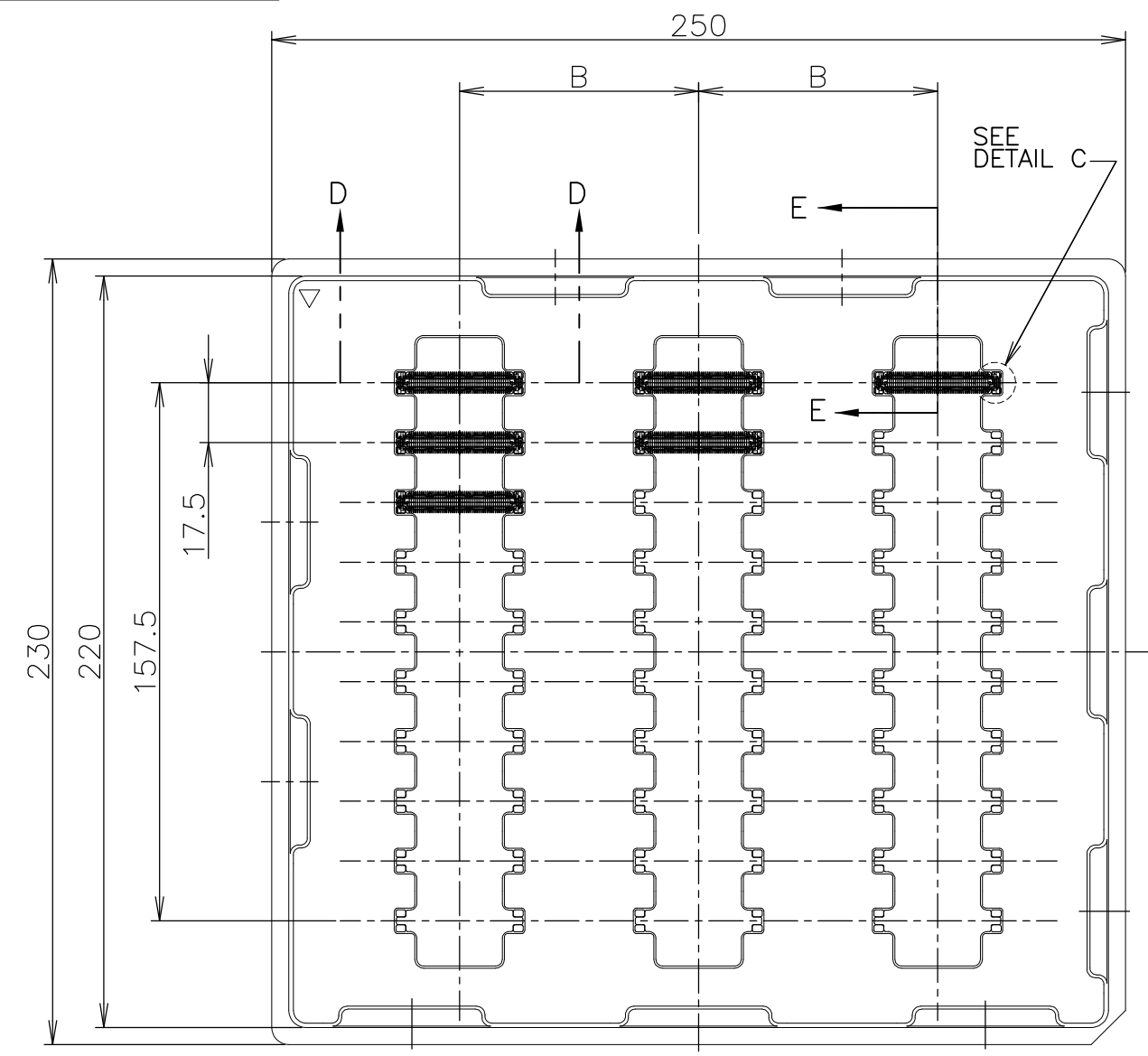


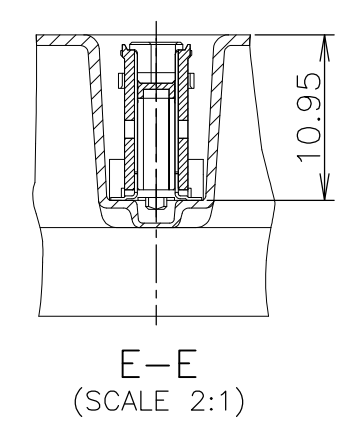
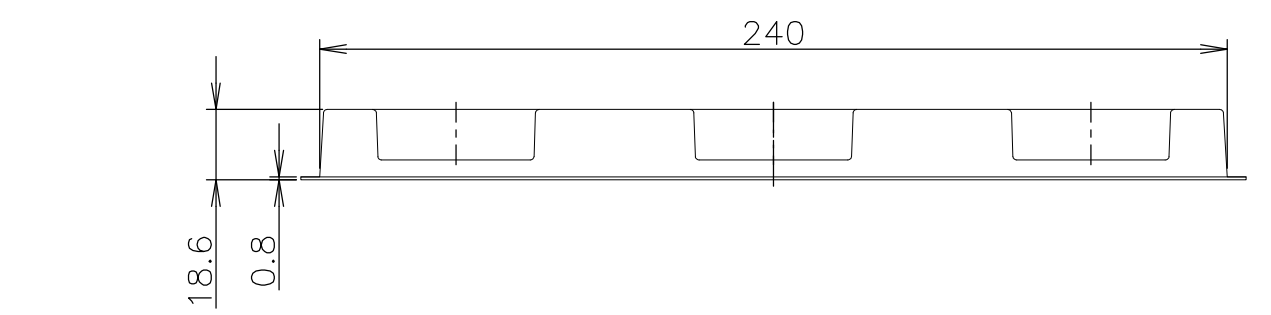
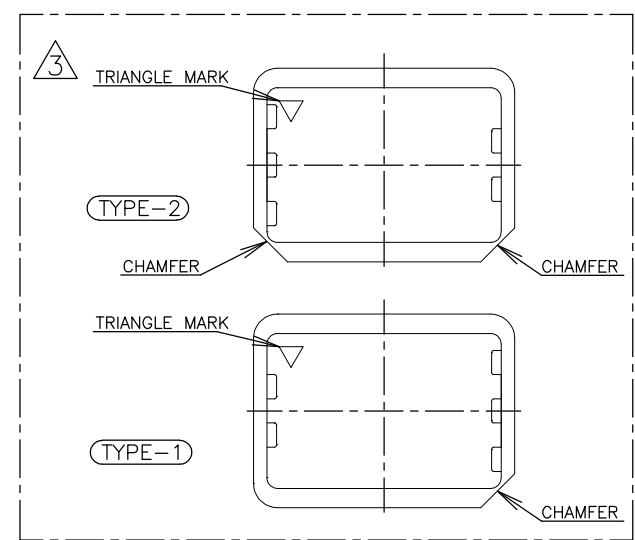
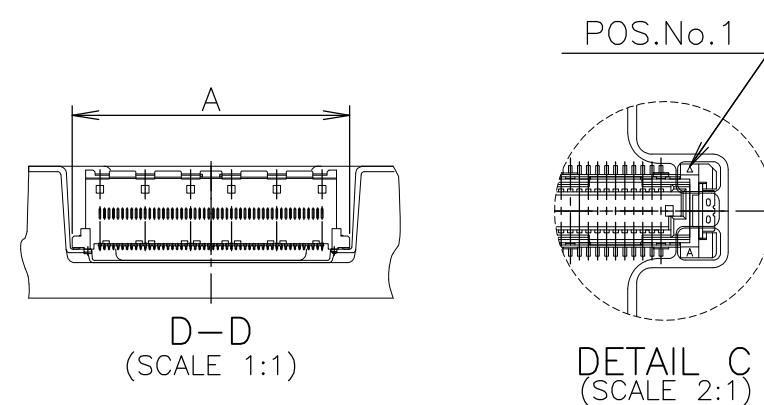
THIS DRAWING IS UNPUBLISHED. RELEASED FOR PUBLICATION JAN , 1999.  
 © COPYRIGHT 1999 BY TYCO ELECTRONICS CORPORATION. ALL RIGHTS RESERVED.

LOC	DIST	REVISIONS			DATE	DWN	APVD
J		P	LTR	DESCRIPTION			
		A	REVISED	ECR-08-000339	01FEB08	T.T	T.F

AS SHOWN: TYPE-1



△ TRAY TYPE-1 AND TYPE-2 MUST BE  
 PILED UP BY TURNS.  
 (REFER TO PACKING SPECIFICATIONS)



SEALANT	TOOLING STATUS	ROW	QTY	B	A	POS.	TRAY P/N	PART NO.
↑	NOT AVAILABLE	3	30	70	54.7	160		
↑	↑	↑	↑	↑	48.7	140		
↑	↑	↑	↑	↑	42.7	120		
↑	↑	↑	↑	↑	36.7	100		
↓	3	30	70	33.7	90			
↓	5	50	43	30.7	80			
↑	↑	↑	↑	↑	27.7	70		
↑	↑	↑	↑	↑	24.7	60		
↑	↑	↑	↑	↑	21.7	50		
↓	↑	↑	↑	↑	18.7	40		
↓	NOT AVAILABLE	5	50	43	15.7	30		
↓	NOT AVAILABLE	3	30	70	54.7	160		
↑	↑	↑	↑	↑	48.7	140		
↑	NOT AVAILABLE	↑	↑	↑	42.7	120		
↑	AVAILABLE	↓	↓	↓	36.7	100	6-912076-0	6318453-8
↓	NOT AVAILABLE	3	30	70	33.7	90		
↑	↑	5	50	43	30.7	80		
↑	↑	↑	↑	↑	27.7	70		
↑	↑	↑	↑	↑	24.7	60		
↑	↑	↑	↑	↑	21.7	50		
↓	↑	↑	↑	↑	18.7	40		
↓	NOT AVAILABLE	5	50	43	15.7	30		

GENERAL TOLERANCE  
 一般公差  
 10 ≥ ±0.2  
 30 ≥ >10: ±0.25  
 100 ≥ >30: ±0.3  
 ANGLES: ±3°

THIS DRAWING IS A CONTROLLED DOCUMENT.

DWN HAWKING HE 13DEC04  
 CHK STEVEN YAO 13DEC04  
 APVD I.ENOMOTO 13DEC04

Tyco Electronics Corporation  
 Kawasaki, Japan

SOFT TRAY ASSY  
 FH 0.6BTB CONNECTOR  
 PLUG 11H STD

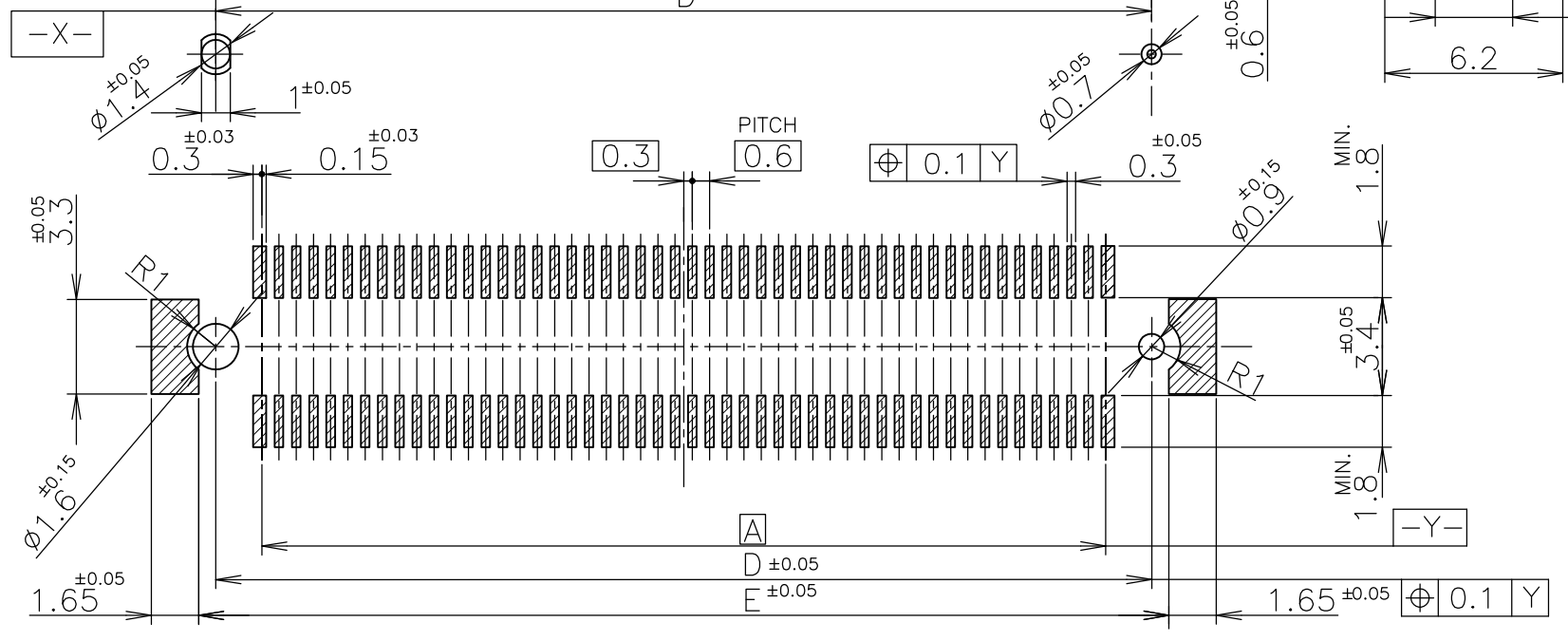
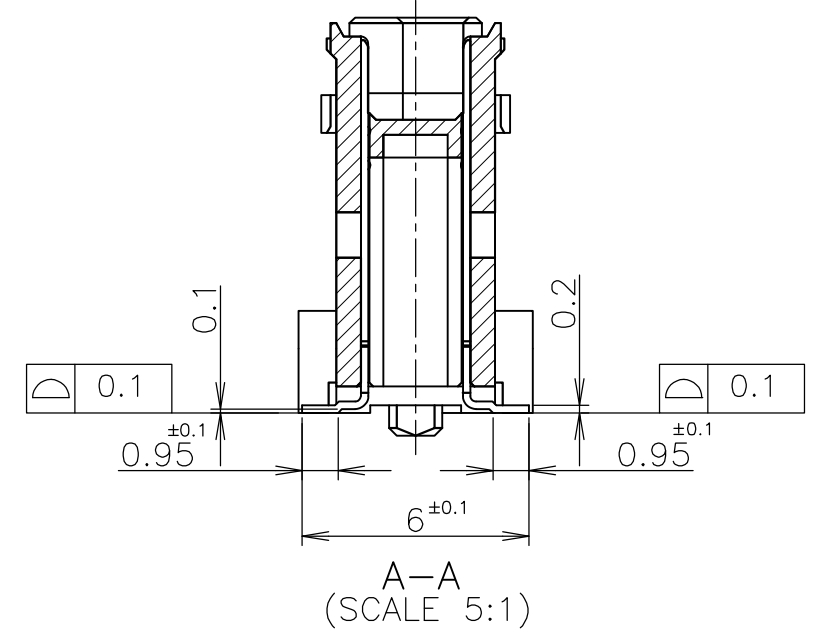
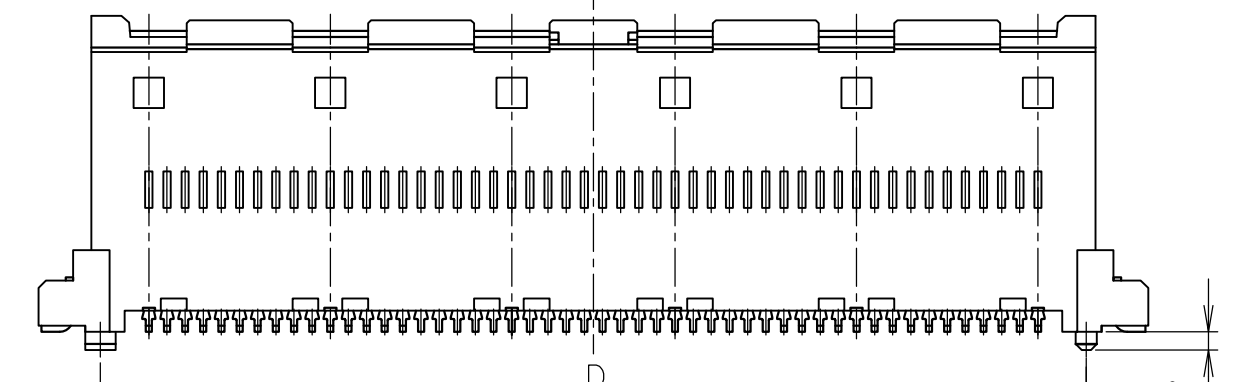
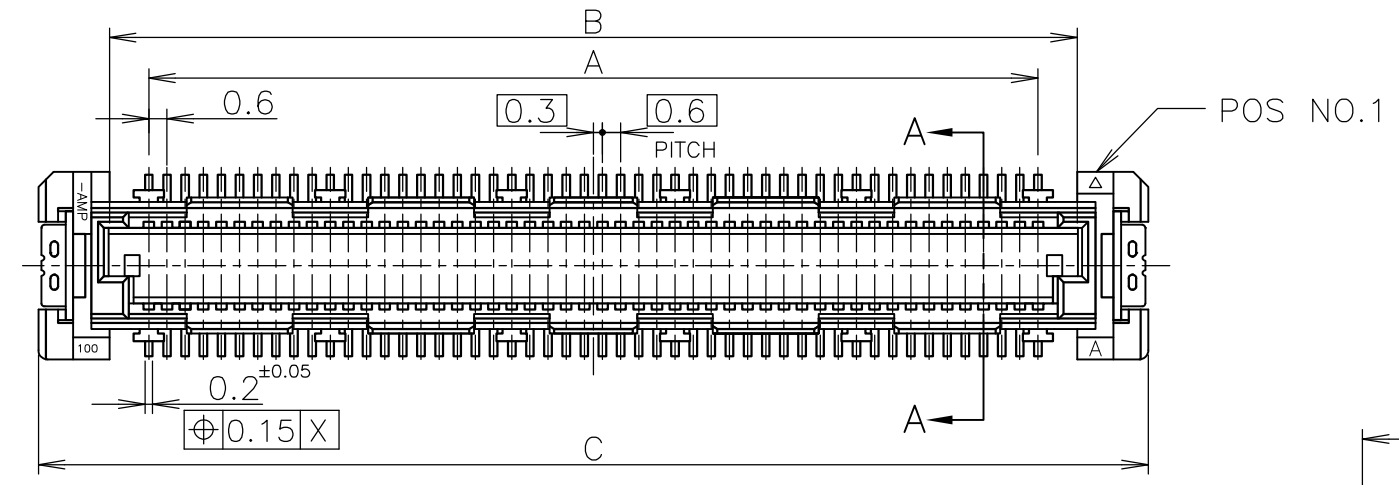
PRODUCT SPEC 108-60047  
 APPLICATION SPEC 114-5255

SIZE A3 CAGE CODE 00779 DRAWING NO. G-6318453 RESTRICTED TO

CUSTOMER DRAWING SCALE 1:2 SHEET 1 OF 2 REV A

THIS DRAWING IS UNPUBLISHED. RELEASED FOR PUBLICATION JAN , 1999.  
 © COPYRIGHT 1999 BY TYCO ELECTRONICS CORPORATION. ALL RIGHTS RESERVED.

LOC	DIST	REVISIONS			DATE	DWN	APVD
J		P	LTR	DESCRIPTION			
				SEE SHEET 1			



- ① MATERIAL ; HOUSING : HIGH TEMP THERMO PLASTIC UL94V-0  
CONTACT : COPPER ALLOY
- ② FINISH ; UNDER PL Ni 0.0013mm MIN ALL OVER.  
CONTACT AREA 0.0002 MIN Au PL.  
SOLDERING AREA 0.001 MIN TIN PL.

NOT AVAILABLE	51.8	50.6	54.7	50	47.4	160
↑	45.8	44.6	48.7	44	41.4	140
NOT AVAILABLE	39.8	38.6	42.7	38	35.4	120
AVAILABLE	33.8	32.6	36.7	32	29.4	100
NOT AVAILABLE	30.8	29.6	33.7	29	26.4	90
↑	27.8	26.6	30.7	26	23.4	80
	24.8	23.6	27.7	23	20.4	70
	21.8	20.6	24.7	20	17.4	60
	19.8	17.6	21.7	17	14.4	50
	15.8	14.6	18.7	14	11.4	40
NOT AVAILABLE	12.8	11.6	15.7	11	8.4	30
TOOLING STATUS	E	D	C	B	A	POS

REFERENCE P.C.BOARD LAYOUT  
(VIEW FROM CONN. MOUNTING SIDE)

GENERAL TOLERANCE  
一般公差

10 ≥ ±0.2  
30 ≥ >10: ±0.25  
100 ≥ >30: ±0.3  
ANGLES: ±3°

THIS DRAWING IS A CONTROLLED DOCUMENT.

DIMENSIONS: 単位: 耗 mm	TOLERANCES UNLESS OTHERWISE SPECIFIED: 一般公差	DWN	Tyco Electronics Corporation Kawasaki, Japan		
0 PLC ± -	1 PLC ± -	CHK	NAME 名称		
2 PLC ± -	3 PLC ± -	APVD	SOFT TRAY ASSY FH 0.6BTB CONNECTOR PLUG 11H STD		
4 PLC ± -	ANGLES ± -	PRODUCT SPEC 製品規格	SIZE	CAGE CODE	DRAWING NO 番号
MATERIAL 材料	FINISH 仕上	APPLICATION SPEC 取付適用規格	A3	00779	G-6318453
		WEIGHT	RESTRICTED TO		
		CUSTOMER DRAWING	SCALE 尺度 4:1	SHEET 2 OF 2	REV A