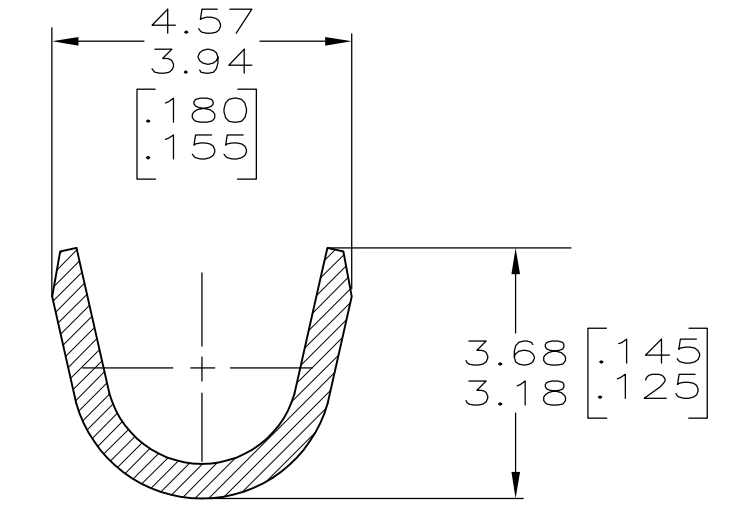
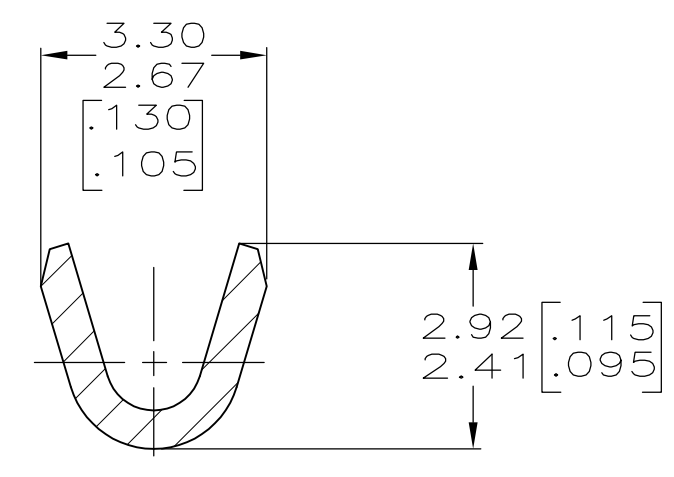
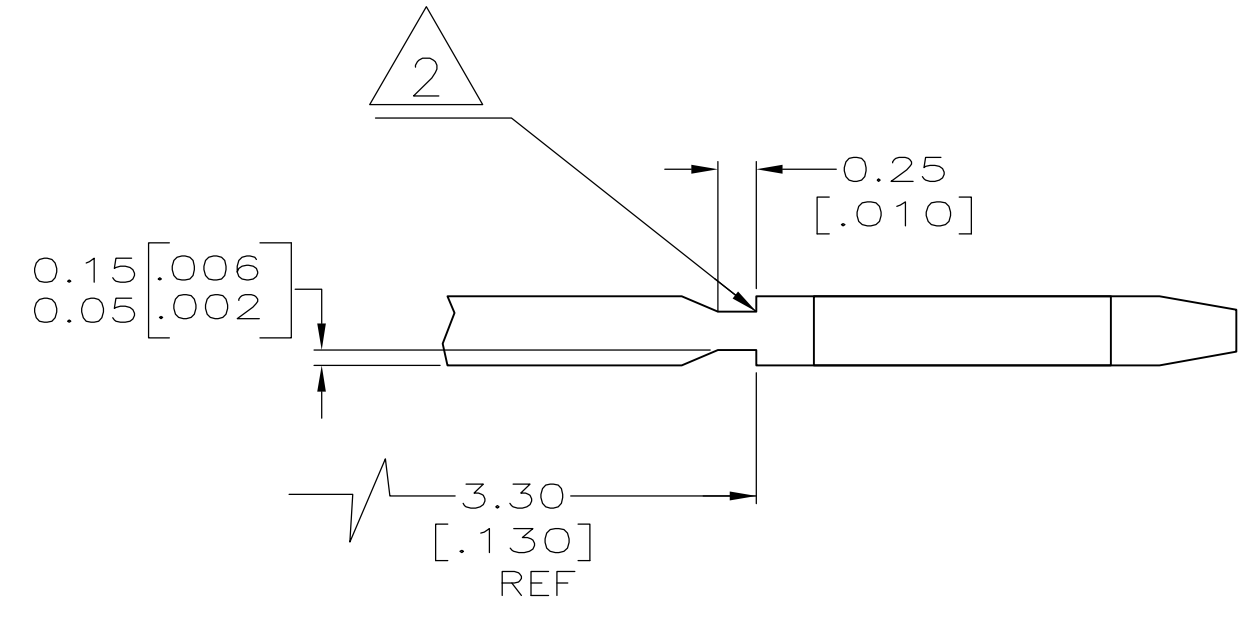
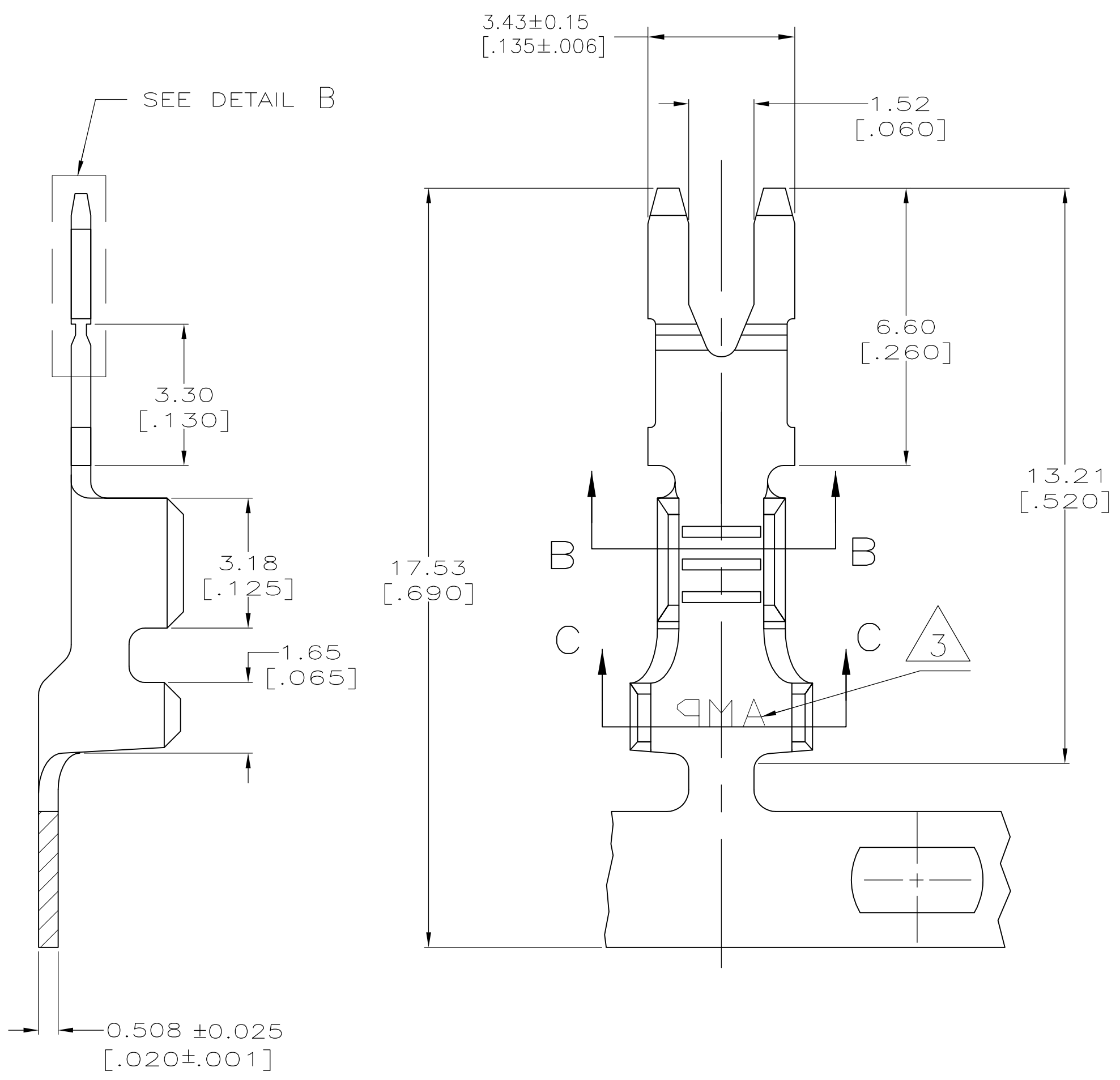


THIS DRAWING IS UNPUBLISHED. RELEASED FOR PUBLICATION  
 © COPYRIGHT - TE Connectivity ALL RIGHTS RESERVED.

REVISIONS					
P	LTR	DESCRIPTION	DATE	DWN	APVD
U2		DRAWING CLARIFICATION	07DEC2016	NK	SV

- 1 CONTINUOUS STRIP ON REELS
- 2 FOR OPTIMUM RETENTION IN POKE-IN TYPE MAG-MATE TERMINALS, THE SERRATION AS SHOWN MUST BE ENGAGED WITH THE EDGE OF THE LEAF
- 3 TRADEMARK LOGO



1.52-2.54 [.060-.100] DIA	0.3-0.8mm <sup>2</sup> [#22-#18]	62898-1
INSULATION RANGE	WIRE RANGE	PART NUMBER

THIS DRAWING IS A CONTROLLED DOCUMENT.		DWN R.GRZYBOWSKI 26NOV96	TE Connectivity	
DIMENSIONS: mm [INCHES]		CHK M.S.FEHER 26NOV96		
TOLERANCES UNLESS OTHERWISE SPECIFIED:		APVD G.PORTA 26NOV96	NAME TAB, POKE-IN, MAG-MATE™	
0 PLC ± -	1 PLC ± -	PRODUCT SPEC	SIZE A2	
2 PLC ± 0.25[.010]	3 PLC ± -	APPLICATION SPEC	CAGE CODE 00779	DRAWING NO C=62898
4 PLC ± -	ANGLES ± -	114-2050	RESTRICTED TO	
MATERIAL BRASS	FINISH TIN PLATED	WEIGHT 0.000000	SCALE 10:1	SHEET 1 of 1
CUSTOMER DRAWING			REV U2	