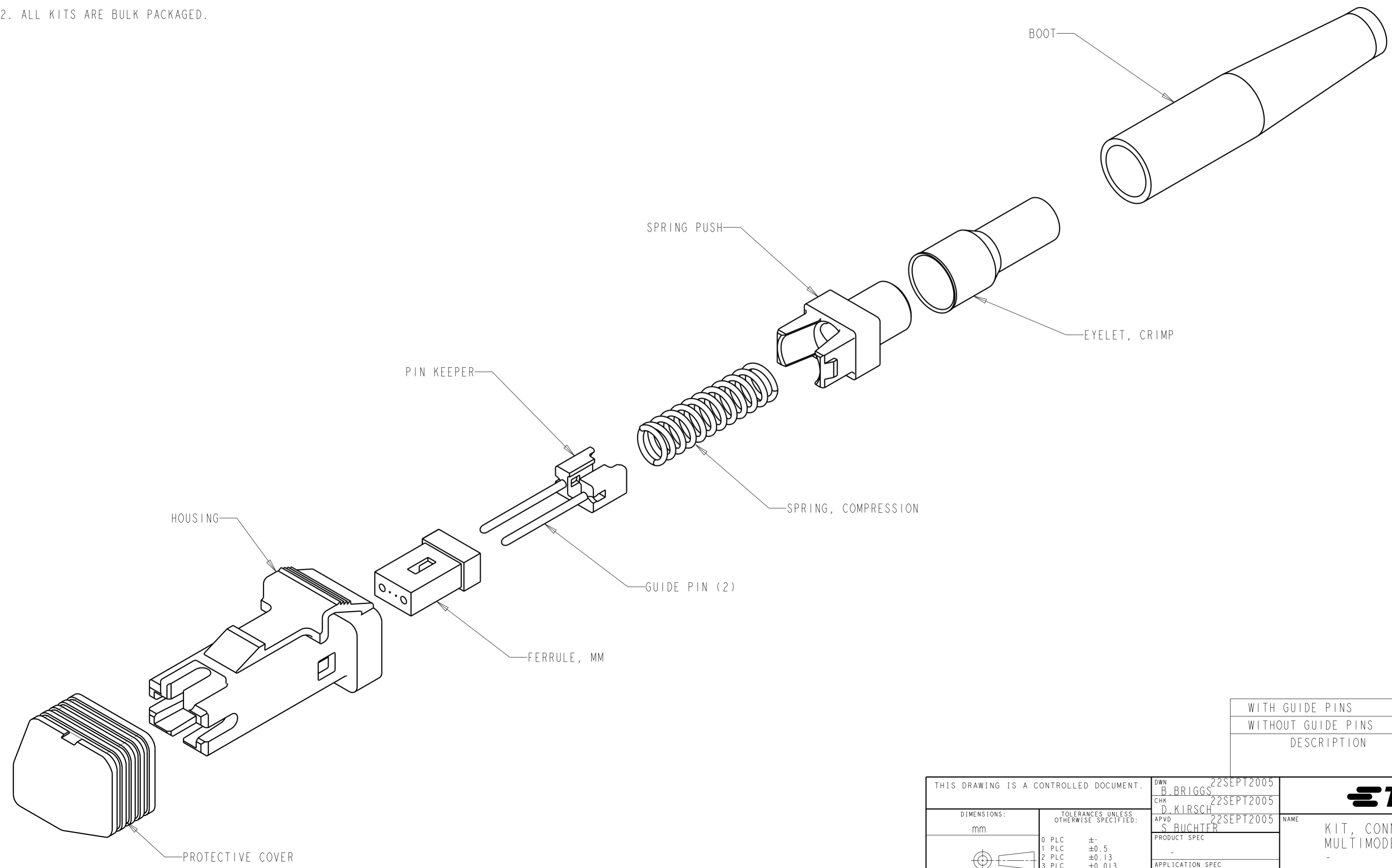


THIS DRAWING IS UNPUBLISHED. RELEASED FOR PUBLICATION
 © COPYRIGHT 20 BY - ALL RIGHTS RESERVED.

REVISIONS					
P	LTR	DESCRIPTION	DATE	DWN	APVD
A		RELEASE RoHS COMPLIANT	22SEPT2005	BB	DK
B		REV PER ECO-13-015279	26SEPT2013	JB	TE

- 1. PROTECTIVE COVER: THERMOPLASTIC ELASTOMER, COLOR; BLACK
- HOUSING: THERMOPLASTIC, COLOR; BLACK
- FERRULE: PLASTIC, COLOR; BLACK
- GUIDE PINS: STAINLESS STEEL
- PIN KEEPER: THERMOPLASTIC, COLOR; BLACK
- SPRING: STAINLESS STEEL
- SPRING PUSH: THERMOPLASTIC, COLOR; BLACK
- EYELET: COPPER, TIN PLATED
- BOOT: THERMOPLASTIC ELASTOMER, COLOR; BEIGE

2. ALL KITS ARE BULK PACKAGED.



WITH GUIDE PINS	6278398-2
WITHOUT GUIDE PINS	6278398-1
DESCRIPTION	PART NUMBER

THIS DRAWING IS A CONTROLLED DOCUMENT.		DWN B. BRIGGS 22SEPT2005	STE TE Connectivity																						
		CHK D. KIRSCH 22SEPT2005																							
		APVD S. BUCHTER 22SEPT2005	NAME KIT, CONNECTOR, MT-RJ MULTIMODE																						
DIMENSIONS: mm		TOLERANCES UNLESS OTHERWISE SPECIFIED:		PRODUCT SPEC																					
<table border="0"> <tr><td>0 PLC</td><td>±</td><td>-</td></tr> <tr><td>1 PLC</td><td>±0.5</td><td>-</td></tr> <tr><td>2 PLC</td><td>±0.13</td><td>-</td></tr> <tr><td>3 PLC</td><td>±0.013</td><td>-</td></tr> <tr><td>4 PLC</td><td>±0.0001</td><td>-</td></tr> <tr><td>ANGLES</td><td>±</td><td>-</td></tr> <tr><td>FINISH</td><td>-</td><td>-</td></tr> </table>		0 PLC	±	-	1 PLC	±0.5	-	2 PLC	±0.13	-	3 PLC	±0.013	-	4 PLC	±0.0001	-	ANGLES	±	-	FINISH	-	-	APPLICATION SPEC		RESTRICTED TO
0 PLC	±	-																							
1 PLC	±0.5	-																							
2 PLC	±0.13	-																							
3 PLC	±0.013	-																							
4 PLC	±0.0001	-																							
ANGLES	±	-																							
FINISH	-	-																							
MATERIAL		WEIGHT		SCALE 4:1																					
		CUSTOMER DRAWING		SHEET 1 OF 1																					
				REV B																					