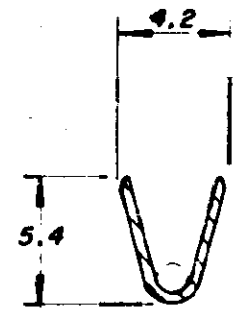
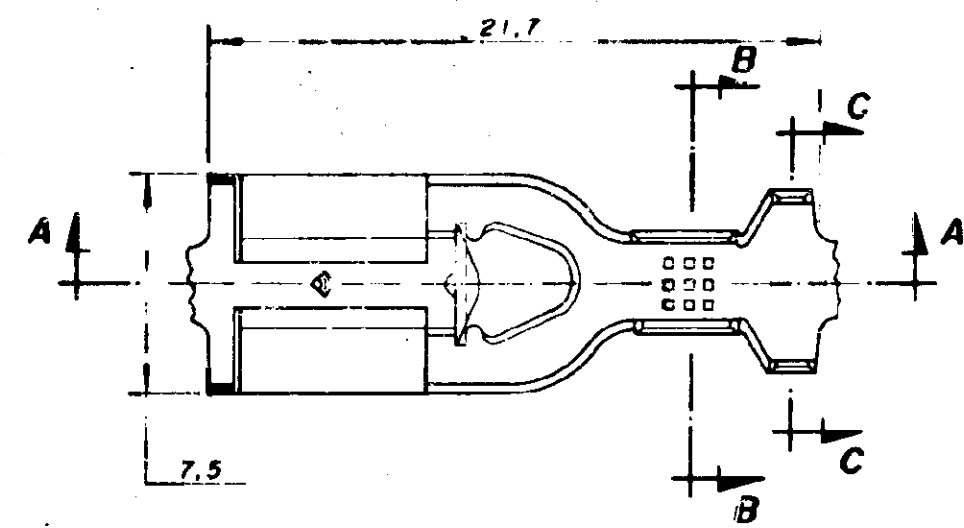


C 626582

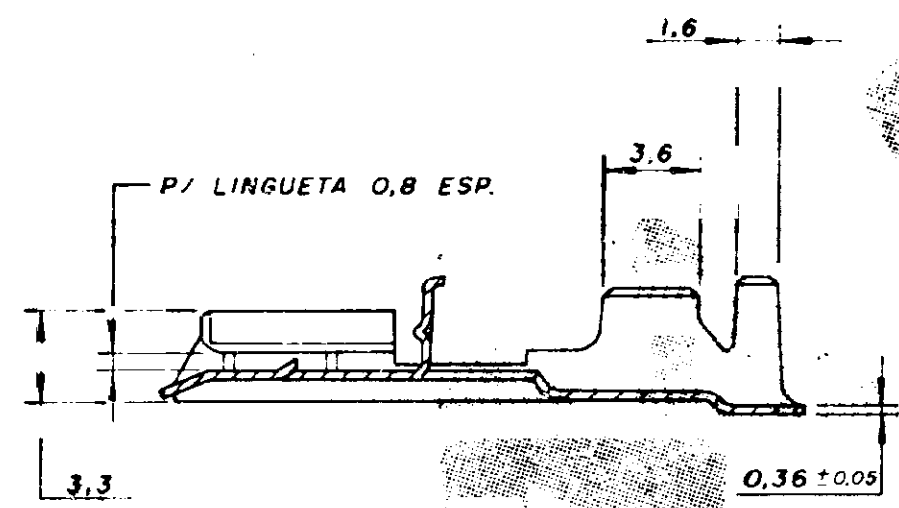
DO NOT SCALE
DIMENSIONS IN mm

METRIC

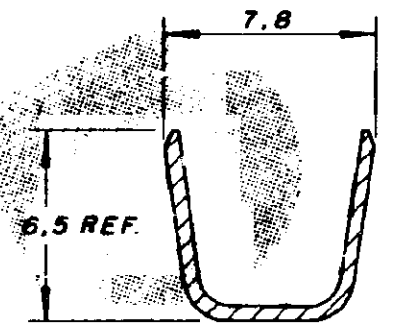
3rd ANGLE PROJECTION



SEÇÃO "BB"



SEÇÃO "AA"



SEÇÃO "CC"

NOTE:

1 OBSOLETE PARTS: OBSOLETE CIS STREAMLINING PER D.RENAUD/D.SINISI

1	—	PRÉ-ESTANHADO	LATÃO	626 582 - 2
	—	—	LATÃO	626 582 - 1
	OTHER TREATMENT	FINISH	MATERIAL	PART NUMBER
CUSTOMER DWG for REFERENCE ONLY		THIS DRAWING IS UNPUBLISHED. RELEASED FOR PUBLICATION IS		
		© COPYRIGHT 19 BY AMP DO BRASIL LTDA S.P. ALL INTERNATIONAL RIGHTS RESERVED AMP PRODUCTS MAY BE COVERED BY U.S. AND FOREIGN PATENTS AND/OR PATENTS PENDING.		
		TOLERANCES UNLESS OTHERWISE STATED	INS. DIA RANGE 0.40 - 5.4 mm	WIRE RANGE 3.0 - 5.0 mm ²
		DEC ± 0.4	SCALE	
		ANGLES ± 1°	AMP AMP do BRASIL LTDA São Paulo, Brasil	
		DR YALTER	DESCRIPTION POSITIVE LOCK RECEPT MKII 250 S.	
C1	ECO-09-026444	KK	AEG	NOV09
C	REVISADO	PF		29.2.96
B	PRÉ-ESTANHADO C/ MODIF	V.S	T.V	02.12.86
		DR	CHK	DATE
		A3	C 626 582	
		SHEET		1061