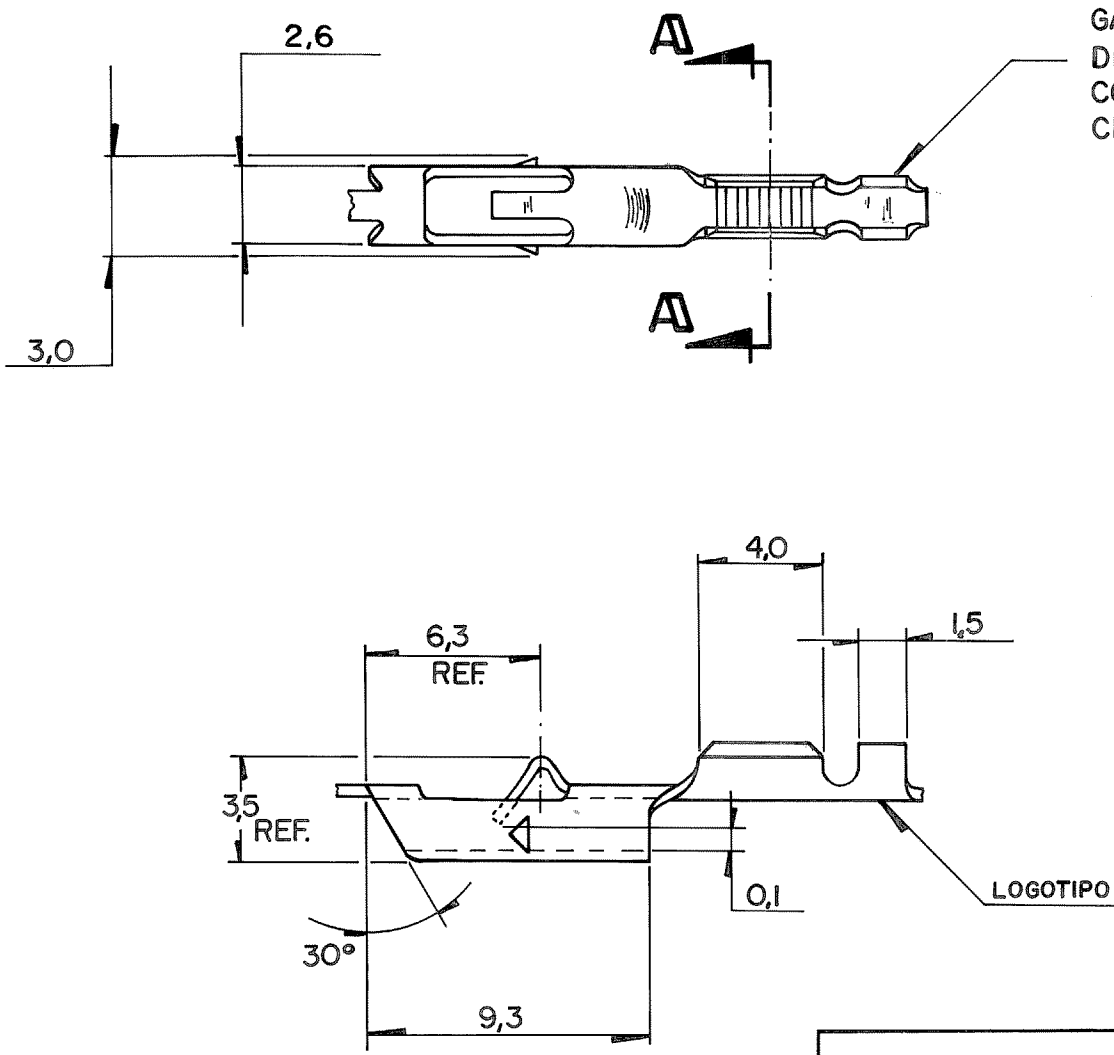
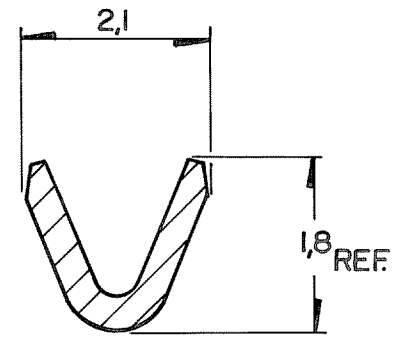


C 626486 | of 1

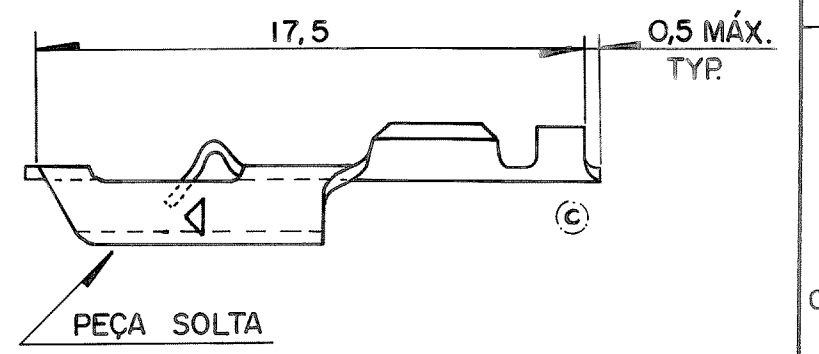
DWG NO.		DO NOT SCALE		METRIC	3rd ANGLE PROJECTION
		DIMENSIONS IN mm.			
REQ. PER ASSY	ITEM	DESCRIPTION	MATERIAL	FINISH	



GARRA AUXILIAR C/AS MESMAS DIMENSÕES DA GARRA DO FIO CONDUTOR; EXCETO QUE, SEM CHANFRO.



SECÇÃO A-A



NOTA:

- 1 - FIO MAGNETICO 23÷29 AWG.
- 2 - ESTE PRODUTO NÃO PODE SER USADO COM FIO DE ALUMÍNIO.
- 3 OBSOLETE PARTS: OBSOLETE CIS STREAMLINING PER D.RENAUD/D.SINISI

	→	FITA CONTÍNUA			- 4
OBSOLETE	//	PEÇA SOLTA			- 3
	→		ESTANHADO		- 2
OBSOLETE	→	FITA CONTÍNUA	//	BRONZE FOSFOROSO	626486 - 1
SENTIDO DE SAIDA DA BOBINA (D)		OBS.	FINISH	MATERIAL	PART NUMBER

CUSTOMER DWG
for REFERENCE ONLY

THIS DRAWING IS UNPUBLISHED | RELEASED FOR PUBLICATION | 19
 © COPYRIGHT 19 BY AMP DO BRASIL LTDA S.P. ALL INTERNATIONAL RIGHTS RESERVED AMP PRODUCTS MAY BE COVERED BY U.S. AND FOREIGN PATENTS AND/OR PATENTS PENDING.

TOLERANCES UNLESS OTHERWISE STATED
 DEC. ± 0,3
 ANGLES ± 1°

INS. DIA. RANGE WIRE RANGE SCALE

Tyco Electronics TYCO ELECTRONICS BRASIL LTDA
 São Paulo - Brasil

F1	REVISED PER ECO-09-026444	KK	AEG	27NOV09	DR. H.C. CANTEA	25/06/93
F	REV. BY ECO 09. 001529	WLS.		04-MAI-09		
E	REVISED BY EC LB 00	0349/02	H.C.	09/DEC/02	CHK.	
D	REVISED BY EC LB 00	0514/01	H.C.	03/DEC/01	DE.	
C	REVISED BY	0234/94	H.C.	05/AGO/94		
B	REVISED BY	0105/93	H.C.	25/JUN/93		

DESCRIPTION
STATOR TERMINAL

ISS. REVISION RECORD ECN DR DATE APP. 21.06/93

A3 DWG NO. C 626486 SHEET 1 OF 1