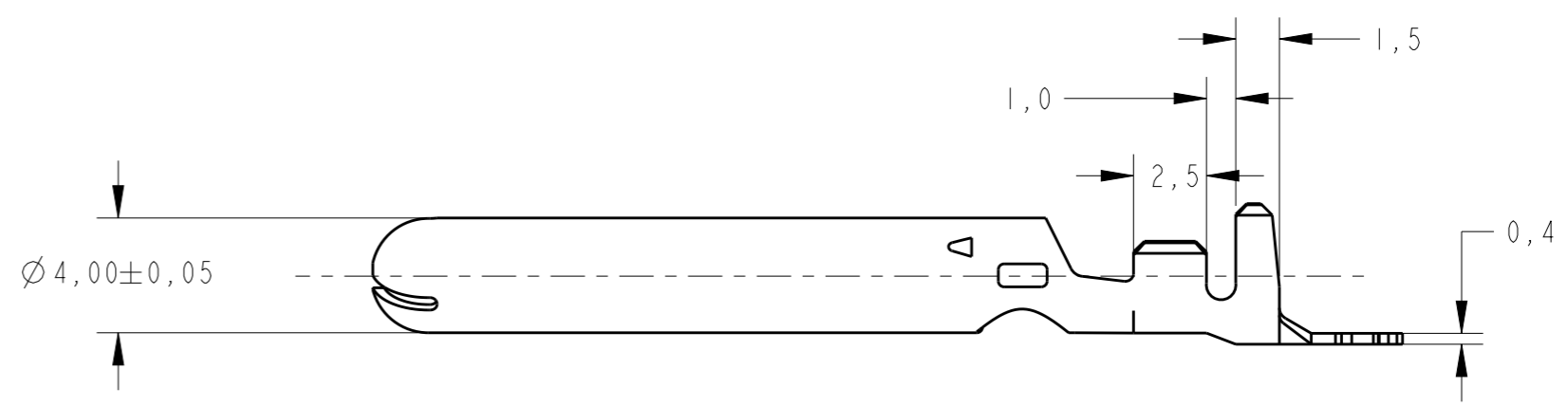
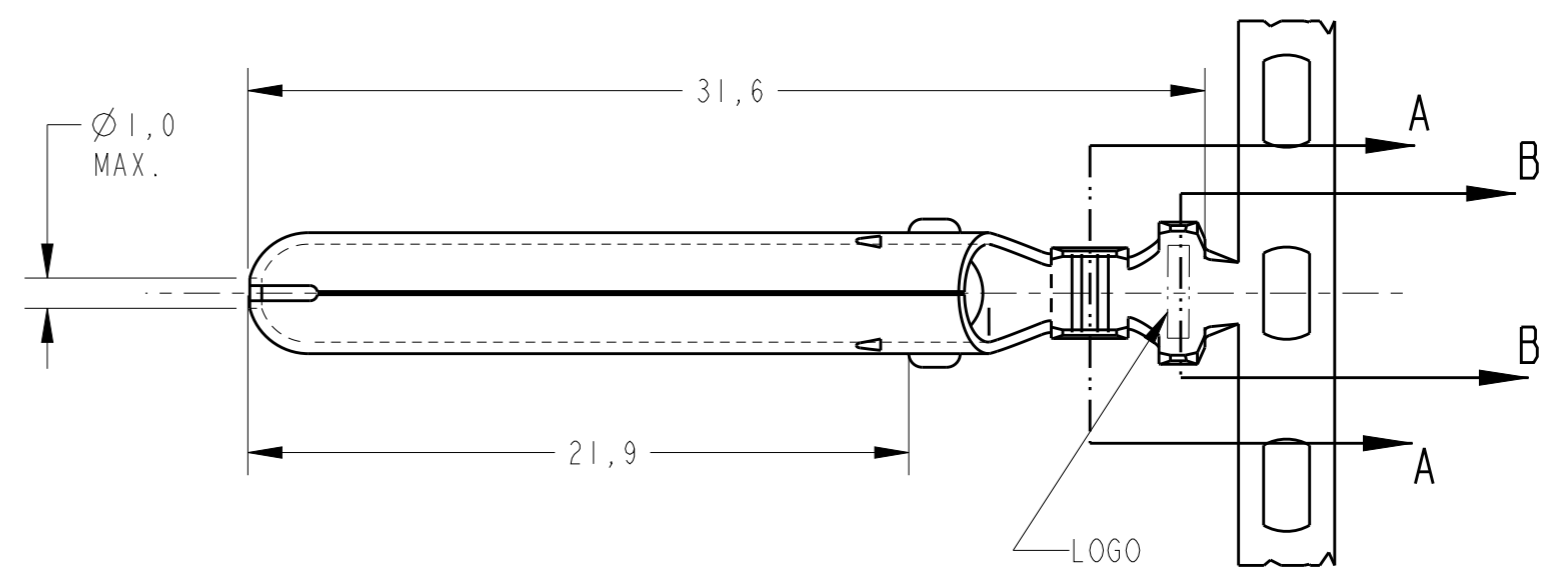
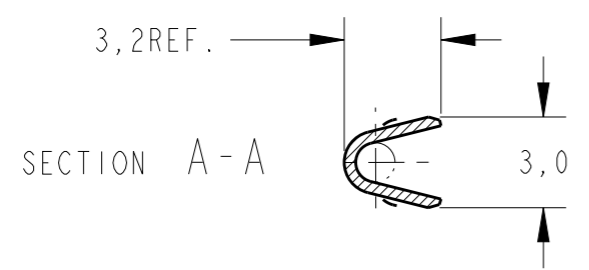
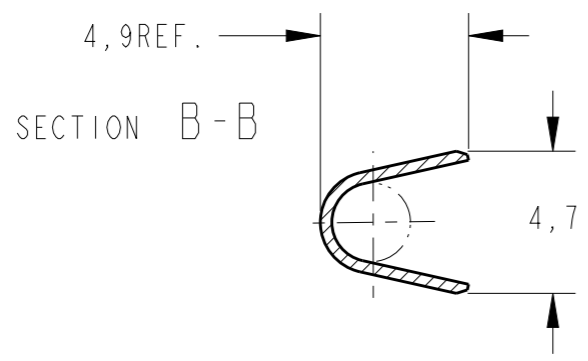


THIS DRAWING IS UNPUBLISHED. RELEASED FOR PUBLICATION

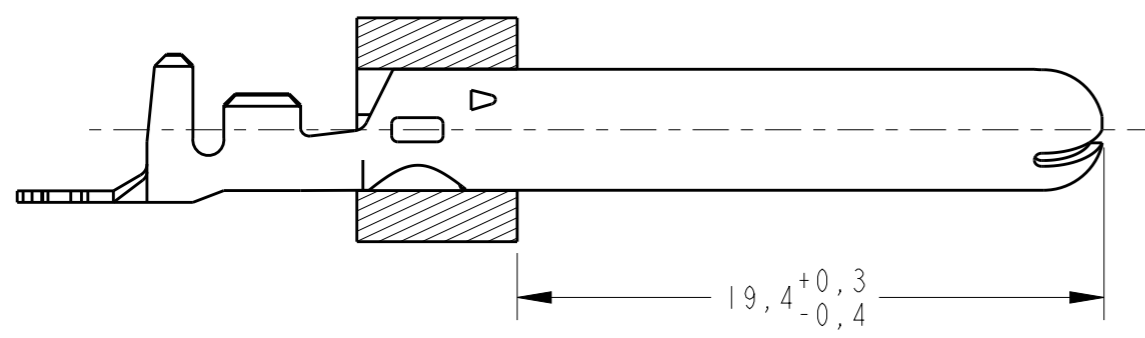
© COPYRIGHT 19 TE CONNECTIVITY ALL RIGHTS RESERVED.

LOC	DIST	REVISIONS			
P	LTR	DESCRIPTION	DATE	DWN	APVD
AP	-				
	K	REV. AND REDRAW BY ECO-08-031264	09JAN2008	HC	WLS
	L	REV. BY ECO 13-008727	23MAY2013	HC	WLS
	LI	REV. BY ECO 16-003728	14MAR2016	HC	WLS




ASSEMBLY VIEW  
VISTA DE MONTAGEM

SECTION C-C



FINISH	MATERIAL	PART NUMBER
PRE-NICKEL PLATED/PRÉ-NIQUELADO	BRASS/LATÃO	626361-3
OBSELETE NICKEL PLATED/NIQUELADO	BRASS/LATÃO	626361-2
NÚ / PLAIN	BRASS/LATÃO	626361-1

THIS DRAWING IS A CONTROLLED DOCUMENT.		DWN H.C. CANTER 09JAN2008	 TE Connectivity
DIMENSIONS: mm		CHK W.L. STEFANI 09JAN2008	
TOLERANCES UNLESS OTHERWISE SPECIFIED:		APVD	NAME
0 PLC ±-	±0,3	PRODUCT SPEC	WALL PLUG PIN
1 PLC ±0,3		APPLICATION SPEC	SIZE A3
2 PLC ±0,2		WEIGHT	CAGE CODE -
3 PLC ±-			DRAWING NO C-626361
4 PLC ±-			RESTRICTED TO -
ANGLES ±-			SCALE 4/1
MATERIAL -	FINISH -		SHEET 1 OF 1
INSUL. RANGE Ø 2,0/3,0mm		Customer Drawing	REV LI
WIRE RANGE 0,5/1,5mm <sup>2</sup>			