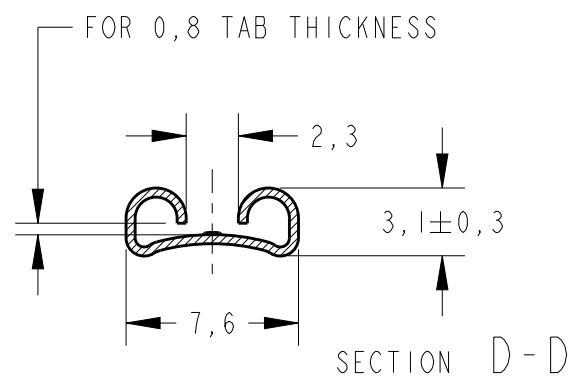
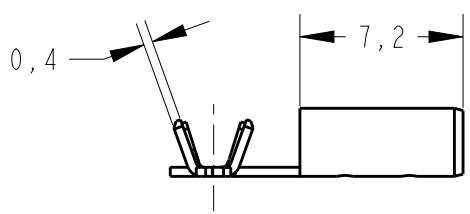
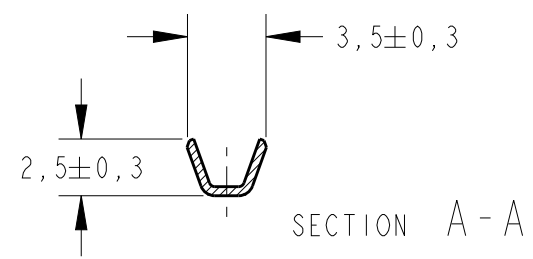
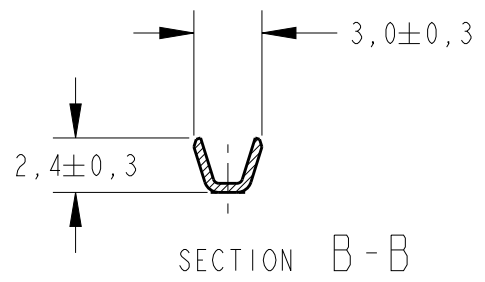
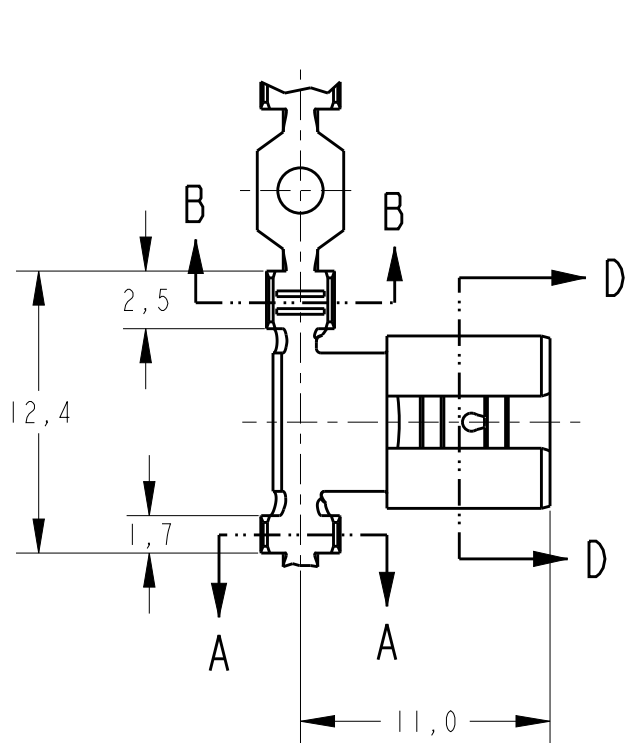


REVISIONS					
P	LTR	DESCRIPTION	DATE	DWN	APVD
	J2	REDAWN AND REV. ECO 15-012439	10SEP2015	HC	WLS
	K	REV. BY ECO-18-009591	18JUN2018	HC	WLS
	-	-	-	-	-
	-	-	-	-	-



RELEASED FOR PUBLICATION 20

ALL RIGHTS RESERVED.

THIS DRAWING IS UNPUBLISHED.

BY -  
COPYRIGHT 20

WIRE RANGE 22 - 18AWG	INS. RANGE Ø 1,14 - 2,03mm	—	BRASS	626089-1
		FINISH	MATERIAL	PART NUMBER

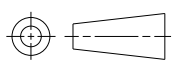
DIMENSIONS: mm

TOLERANCES UNLESS OTHERWISE SPECIFIED:

0 PLC	±-
1 PLC	±0,4
2 PLC	±-
3 PLC	±-
4 PLC	±-
ANGLES	±-

DWN H.C. CANTERI	30 JUL 2015
CHK W.L. STEFANI	-
APVD	-
PRODUCT SPEC	-
APPLICATION SPEC	-
WEIGHT	-

MATERIAL	FINISH	TE Connectivity	
-	-		
NAME .250 FLAG FASTON REC. RIGHT			
SIZE A4	CAGE CODE -	DRAWING NO C-626089	RESTRICTED TO -



Customer Drawing	SCALE 5:1	SHEET 1 OF 1	REV K
------------------	-----------	--------------	-------