

4

3

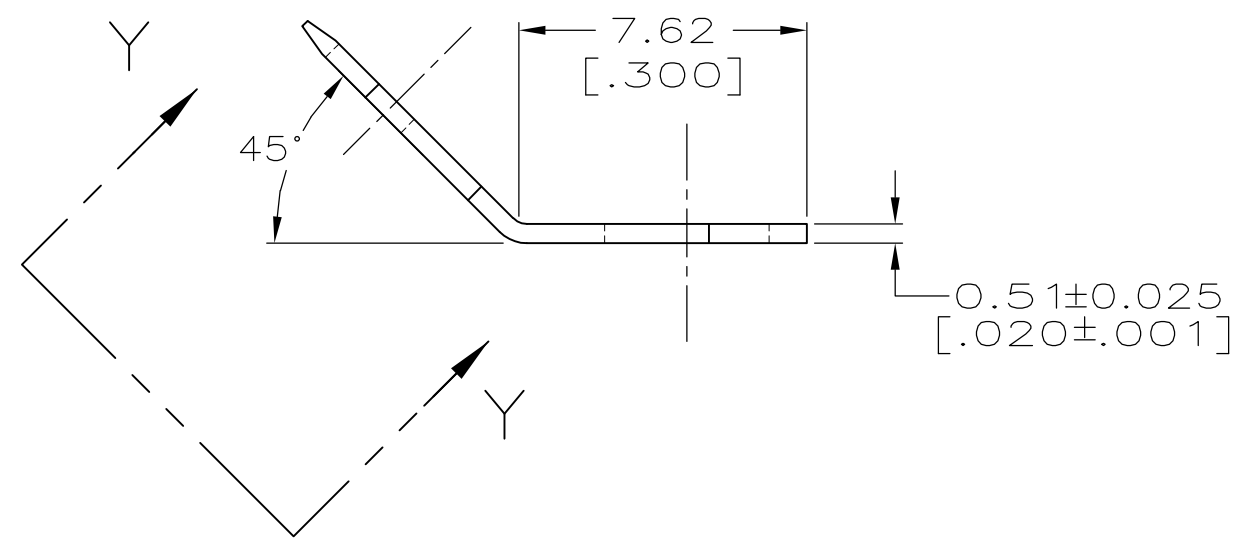
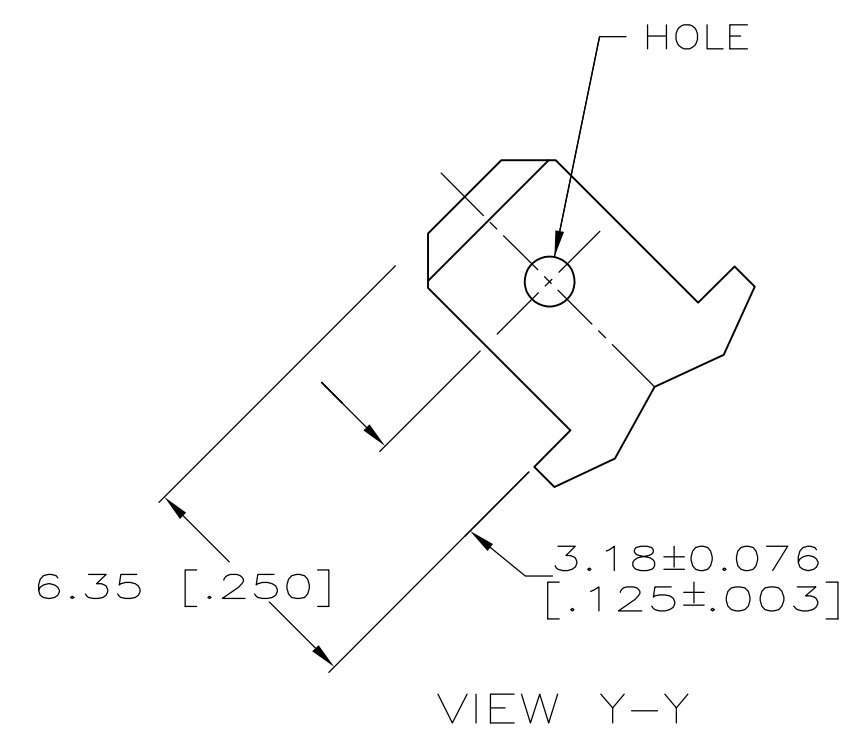
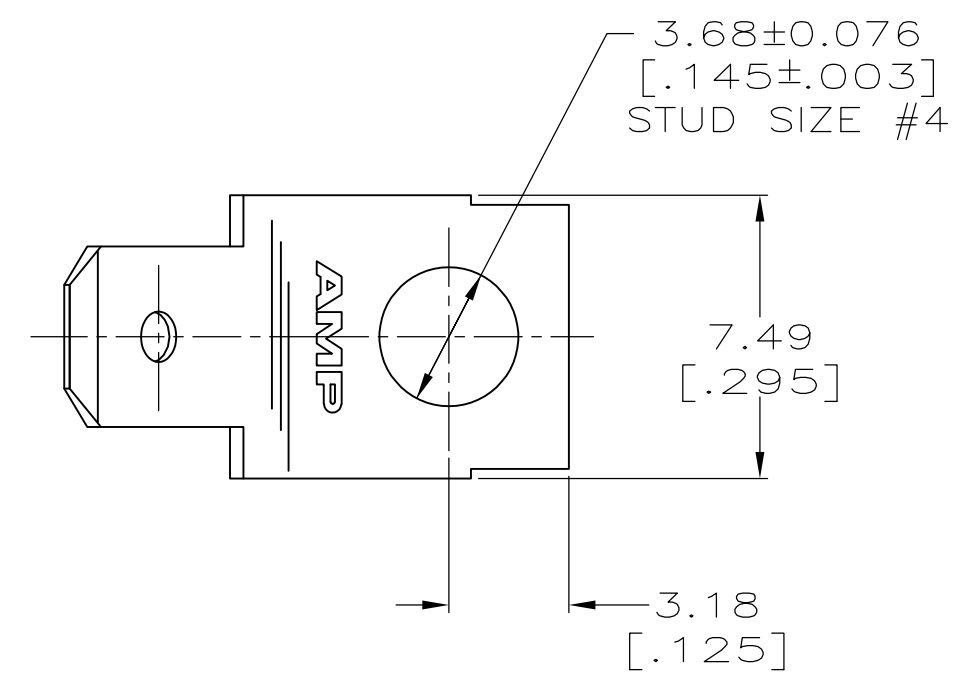
2

1

THIS DRAWING IS UNPUBLISHED. RELEASED FOR PUBLICATION
 © COPYRIGHT - By - ALL RIGHTS RESERVED.

LOC	DIST	REVISIONS			
P	LTR	DESCRIPTION	DATE	DWN	APVD
		C	REVISED PER ECR-13-011489	04DEC2013	KH PD

1 SUPPLIED IN LOOSE PIECE.



62576-1
PART NO.

THIS DRAWING IS A CONTROLLED DOCUMENT.		DWN	JR RUTH	1/10/97	TE Connectivity							
DIMENSIONS: mm [INCHES]		CHK	MS FEHER	1/10/97				NAME				
TOLERANCES UNLESS OTHERWISE SPECIFIED:		APVD	J HUZVAR	1/10/97	TAB, FASTON, 4.75 [.187] SERIES							
0 PLC ± - 1 PLC ± - 2 PLC ± 0.38 [.015] 3 PLC ± - 4 PLC ± - ANGLES ± -		PRODUCT SPEC		RESTRICTED TO								
MATERIAL		APPLICATION SPEC					SIZE	CAGE CODE	DRAWING NO			
BRASS		FINISH		A300779		C-62576						
CUSTOMER DRAWING				WEIGHT	-		SCALE	5:1	SHEET	1 OF 1	REV	C