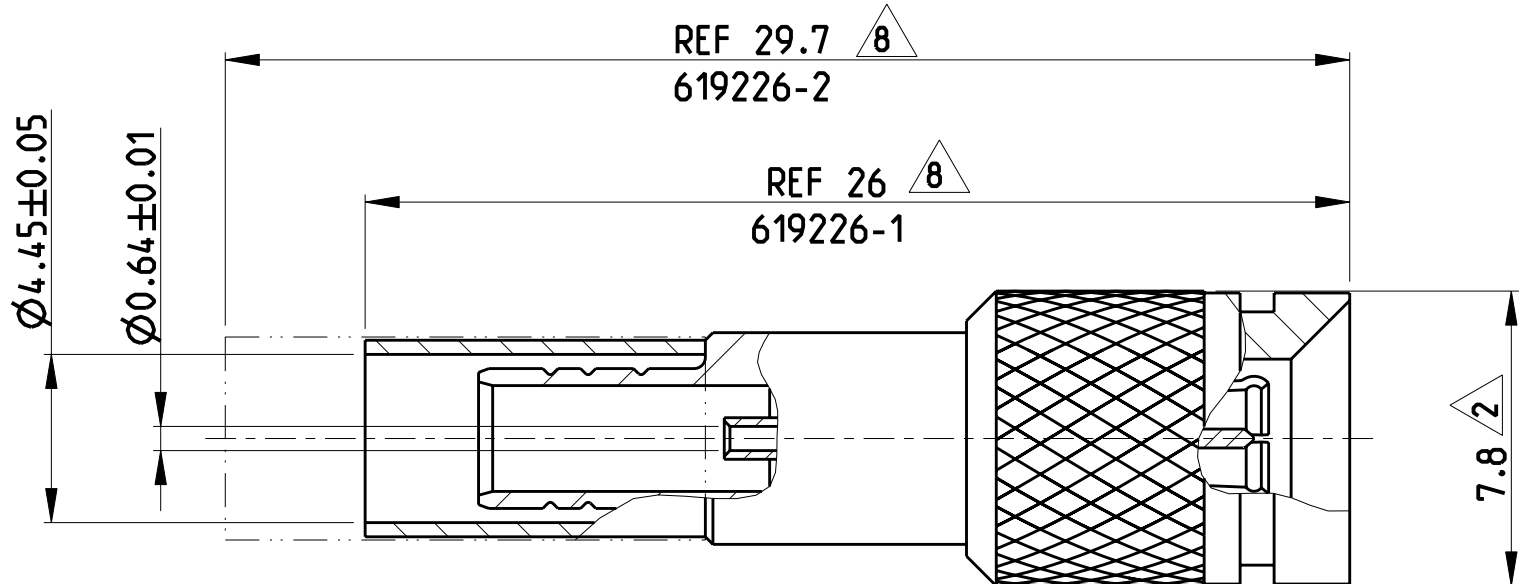


THIS DRAWING IS UNPUBLISHED. RELEASED FOR PUBLICATION 2005  
 © COPYRIGHT 2005 BY TYCO ELECTRONICS CORPORATION. ALL RIGHTS RESERVED.

LOC	DIST	REVISIONS					
IS	-	P	LTR	DESCRIPTION	DATE	DWN	APVD
		053		Updated as per customer request	15NOV2005	RLU	DB
		A		Added Application Spec.	21DEC2005	RLU	DB

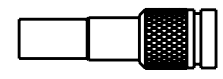
1	1	1	1	KNURLED SHELL	CuZn	Ni
1	1	1	1	DIELECTRIC	PTFE	
1	1	1	1	OUTER CONDUCTOR	Phosphor Bronze / BeCu	Ni / Au
1	1	1	1	CENTER CONDUCTOR <sup>7</sup> <sup>6</sup>	CuZn	Au
1	1	-	-	LONG FERULLE (BNC type) <sup>6</sup>		
-	-	1	1	FERULLE <sup>6</sup>		
5-619226-2	619226-2	5-619226-1	619226-1	DESCRIPTION	MATERIAL	PLATING
<sup>5</sup> <sup>8</sup>	<sup>4</sup> <sup>8</sup>	<sup>5</sup> <sup>8</sup>	<sup>4</sup> <sup>8</sup>			



1) Dimensions of mating face according to IEC 169-29 and CECC 22230

- <sup>2</sup> Max. dimensions
- <sup>3</sup> DIN ISO 8015 ; DIN ISO 2768-m-R
- <sup>4</sup> ONE PLUG PACKED IN PLASTIC BAG
- <sup>5</sup> 200 PLUGS PACKED IN CARTON BOX
- <sup>6</sup> SUPPLIED AS LOOSE PART
- <sup>7</sup> CENTER CONDUCTOR TO BE CRIMPED
- <sup>8</sup> TOTAL LENGTH DEPENDIG ON CHOICE OF THE FERULLE

619226-1 has shown 1:1



<small>THIS DRAWING IS A CONTROLLED DOCUMENT FOR TYCO ELECTRONICS CORPORATION IT IS SUBJECT TO CHANGE AND THE CONTROLLING ENGINEERING ORGANIZATION SHOULD BE CONTACTED FOR THE LATEST REVISION.</small>		DWN <b>R. Luppi</b> 08APR2005 CHK <b>D. Bozzer</b> 08APR2005 APVD - PRODUCT SPEC - APPLICATION SPEC <b>114-71037</b> WEIGHT -	<b>tyco</b> Electronics Icyo Electronics Lugano - Switzerland
DIMENSIONS: mm 	TOLERANCES UNLESS OTHERWISE SPECIFIED: 0 PLC ± 1 PLC ± 2 PLC ± 3 PLC ± 4 PLC ± ANGLES ± FINISH -	NAME <b>CABLE PLUG 75 Ohm          DIN 1.0/2.3 SERIES          FOR CABLE TYPE BELDEN 1855A</b>	SIZE <b>A3</b> CAGE CODE <b>00779</b> DRAWING NO <b>619226</b> RESTRICTED TO -
MATERIAL -		SCALE <b>5:1</b> SHEET <b>1</b> OF <b>1</b> REV <b>A</b>	