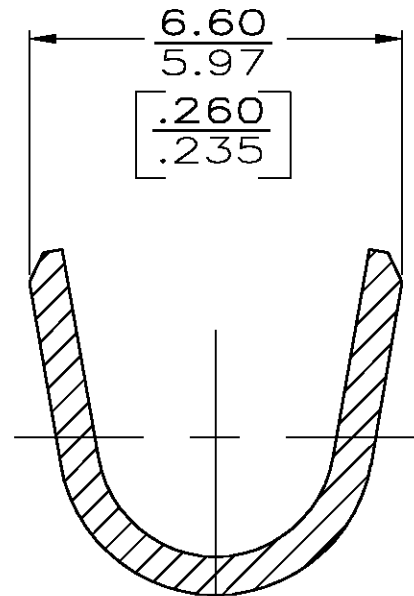
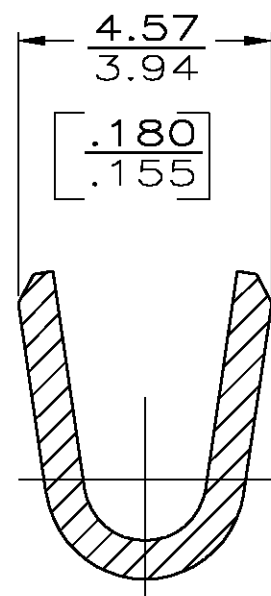
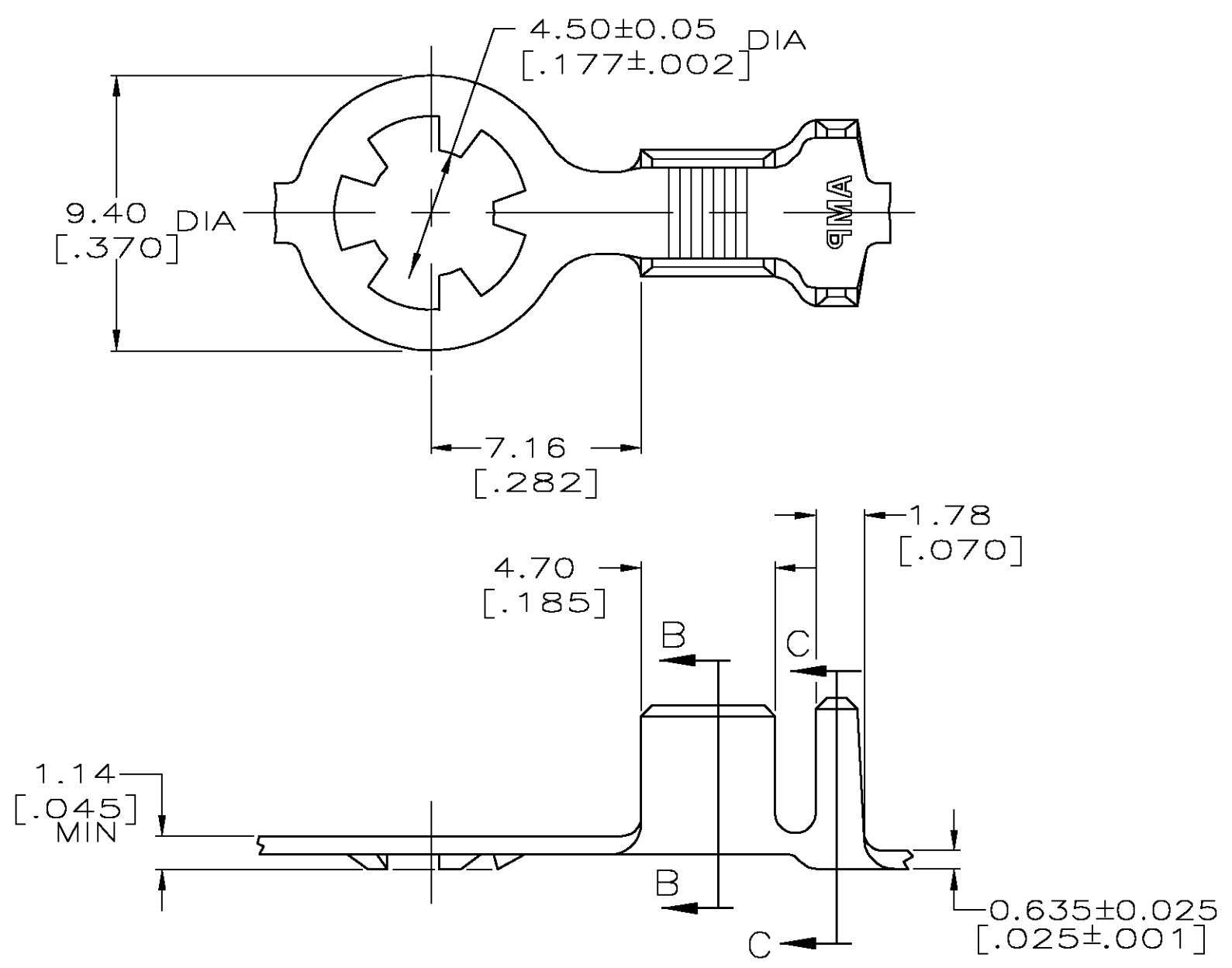


THIS DRAWING IS UNPUBLISHED. RELEASED FOR PUBLICATION  
 © COPYRIGHT BY TYCO ELECTRONICS CORPORATION. ALL RIGHTS RESERVED.

LOC	DIST	REVISIONS					
		P	LTR	DESCRIPTION	DATE	DWN	APVD
AF	50		J	REV PER 0G3A-0107-05	24MAY05	JR	DD

- 1 CONTINUOUS STRIP ON REEL.
- 2 WIRE SIZE IS [#16-#12] AWG.
- 3 INSULATION RANGE IS 3.30-4.32 [.130-.170] DIA.
- △ 4 INTERLEAVING PAPER



OBSOLETE	-	△ 4 61624-3
	TIN	61624-2
	-	61624-1
	FINISH	PART NO.

TYPE	WIDTH	STRIP LENGTH ±0.38 [±.015]	TYPE	WIDTH	±0.051 [.002] HEIGHT	WIRE
F OR O	5.59 [.220]	5.56 [.219]	F	3.56 [.140]	2.36 [.093]	1.3MM <sup>2</sup> [16]
					2.49 [.098]	3.0MM <sup>2</sup> [12]
					2.24 [.088]	2.0MM <sup>2</sup> [14]
					2.06 [.081]	1.3MM <sup>2</sup> [16]
INSUL BARREL CRIMP			WIRE BARREL CRIMP			

THIS DRAWING IS A CONTROLLED DOCUMENT.

DIMENSIONS: MM [ INCHES ]	TOLERANCES UNLESS OTHERWISE SPECIFIED:	DWN PHIL FORTNEY 7/14/93		Tyco Electronics Corporation
		CHK JR RUTH 7/14/93		Harrisburg, Pa 17105-3608
		APVD R WEAVILL 7/14/93	NAME	RING
			PRODUCT SPEC	-
			APPLICATION SPEC	-
			SIZE	A3
MATERIAL H04 BRASS	FINISH SEE TABLE	WEIGHT -	CAGE CODE	00779
			DRAWING NO	C-61624
			RESTRICTED TO	-
			SCALE	5:1
			SHEET	1 OF 1
			REV	J

CUSTOMER DRAWING